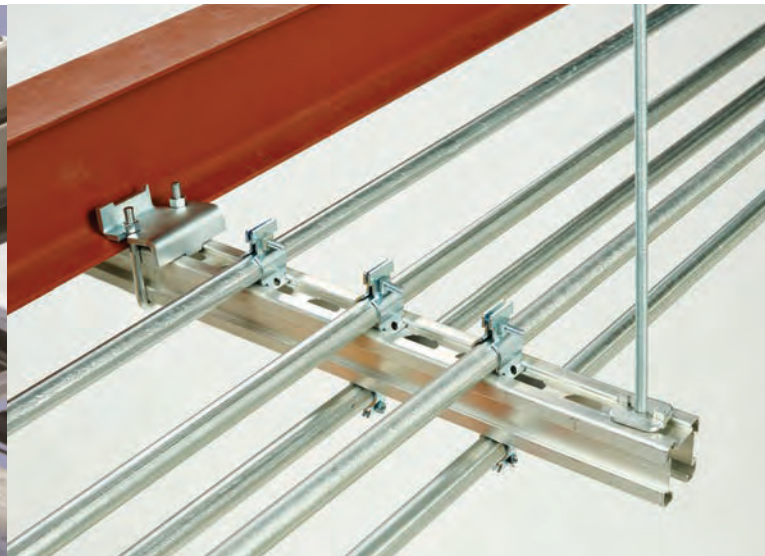
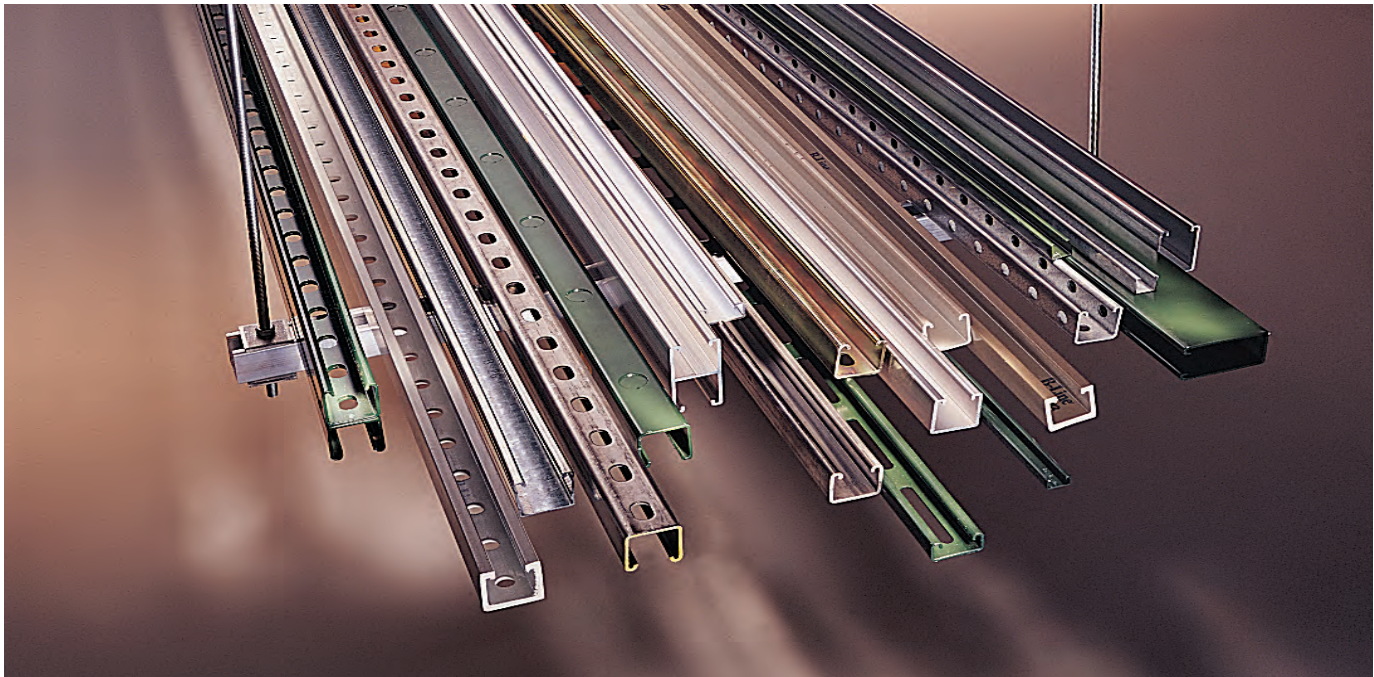


# Strut systems



# Metal framing channels



## Channel

Metal framing channel is cold formed on our modern rolling mills from 12 Ga. (2.6mm) and 14 Ga. (1.9mm) low carbon steel strips. A continuous slot with inturned lips provides the ability to make attachments at any point.

## Lengths & Tolerances

All channels excluding 'SH' style  $\pm 1/8"$  (3.2mm) on 10' (3.05m) and  $\pm 3/16"$  (4.76mm) on 20' (6.09m)  
 All 'SH' channels only  $\pm 1/4"$  (6.35mm) on 10' (3.05m) and  $\pm 1/2"$  (12.70mm) on 20' (6.09m)  
 Custom lengths are available upon request.

## Slots

Slotted series of channels offer full flexibility. A variety of pre-punched slot patterns eliminate the need for precise field measuring for hole locations. Slots offer wide adjustments in the alignment and bolt sizing.

## Holes

A variety of pre-punched  $9/16"$  (14.3 mm) diameter hole patterns are available in our channels. These hole patterns provide an economical alternative to costly field drilling required for many applications.

## Knockouts

When used with series B217-20 Closure Strips, knockout channels can be used to provide an economical U.L. listed surface raceway. Channels are furnished with  $7/8"$  (22.2 mm) knockouts on 6" (152 mm) centers, allowing for perfect fixture alignment on spans up to 20' (6.09 m).

## Materials & Finishes (Unless otherwise noted)

### Steel: Plain & Pre-galvanized

12 Ga. (2.6) and 14 Ga. (1.9)

Note: A minimum order may apply on special material and finishes.

## Design Load (Steel & Stainless Steel)

The design loads given for strut beam loads are based on a simple beam condition using an allowable stress of 25,000 psi. This allowable stress results in a safety factor of 1.68. This is based upon virgin steel minimum yield strength of 33,000 psi cold worked during rolling to an average yield stress of 42,000 psi. For aluminum channel loading multiply steel loading by a factor of 0.38.

Finish Code	Finish	Specification
PLN	Plain	ASTM A1011, 33,000 PSI min. yield
GRN	DURA GREEN™	
GLV	Pre-Galvanized	ASTM A653 33,000 PSI min. yield
HDG	Hot-Dipped Galvanized	ASTM A123
YZN	Yellow Zinc Chromate	ASTM B633 SC3 Type II
SS4	Stainless Steel Type 304	ASTM A240
SS6	Stainless Steel Type 316	ASTM A240
AL	Aluminum	Aluminum 6063-T6

## Welding






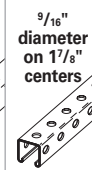

Weld spacing is maintained between 2 1/2 inches (63.5 mm) and 4 inches (101.6 mm) on center. Through high quality control testing of welded channels and continuous monitoring of welding equipment, we provide the most consistent combination channels available today.

## Metric

Metric dimensions are shown in parentheses. Unless noted, all metric dimensions are in millimeters.



## Selection Chart for Channels, Materials and Hole Patterns

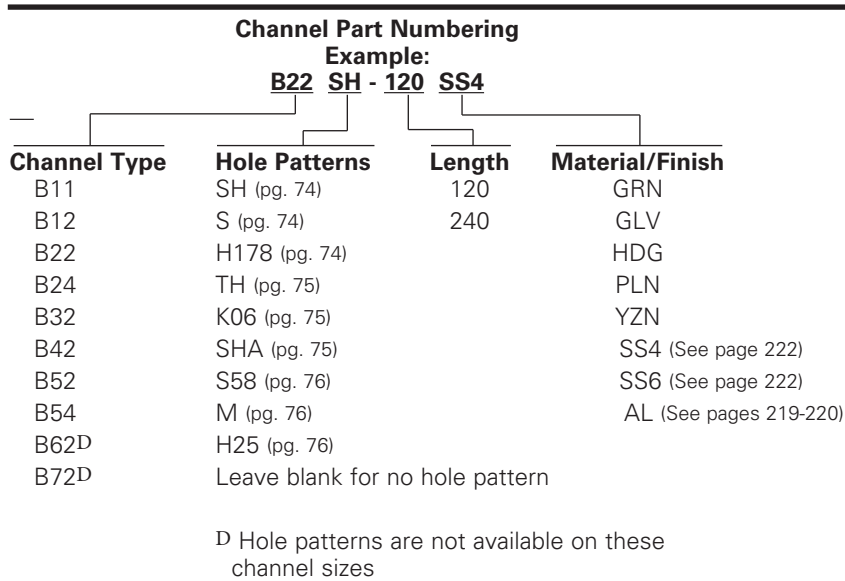
Channel Type	Channel Dimensions		Material & Thickness* Stainless Steel				Channel Hole Pattern**				
	Height 	Width 	Steel	Alum.	Type 304	Type 316	SH	S	H1 <sup>7</sup> / <sub>8</sub>	TH	KO6
			<u>1</u>	<u>2</u>	<u>3</u>	<u>4</u>					
<b>B11</b>	3 <sup>1</sup> / <sub>4</sub> " (82.5)	1 <sup>5</sup> / <sub>8</sub> " (41.3)	12 Ga.	.105	–	–	<u>1</u>	<u>1</u>	<u>1</u>	–	<u>1</u>
<b>B12</b>	2 <sup>7</sup> / <sub>16</sub> " (61.9)	1 <sup>5</sup> / <sub>8</sub> " (41.3)	12 Ga.	.105	–	–	<u>1</u> <u>2</u>	<u>1</u>	<u>1</u> <u>2</u>	–	<u>1</u> <u>2</u>
<b>B22</b>	1 <sup>5</sup> / <sub>8</sub> " (41.3)	1 <sup>5</sup> / <sub>8</sub> " (41.3)	12 Ga.	.105	12 Ga.	12 Ga.	<u>1</u> <u>2</u> <u>3</u> <u>4</u>	<u>1</u> <u>3</u>	<u>1</u> <u>2</u> <u>3</u> <u>4</u>	<u>1</u>	<u>1</u> <u>2</u>
<b>B24</b>	1 <sup>5</sup> / <sub>8</sub> " (41.3)	1 <sup>5</sup> / <sub>8</sub> " (41.3)	14 Ga.	–	14 Ga.	14 Ga.	<u>1</u> <u>2</u> <u>3</u> <u>4</u>	<u>1</u>	<u>1</u> <u>2</u> <u>3</u> <u>4</u>	–	<u>1</u> <u>2</u>
<b>B32</b>	1 <sup>3</sup> / <sub>8</sub> " (34.9)	1 <sup>5</sup> / <sub>8</sub> " (41.3)	12 Ga.	–	12 Ga.	–	<u>1</u> <u>3</u>	<u>1</u>	<u>1</u> <u>3</u>	–	<u>1</u>
<b>B42</b>	1" (25.4)	1 <sup>5</sup> / <sub>8</sub> " (41.3)	12 Ga.	–	12 Ga.	–	<u>1</u> <u>3</u>	<u>1</u>	<u>1</u> <u>3</u>	–	<u>1</u>
<b>B52</b>	1 <sup>3</sup> / <sub>16</sub> " (20.6)	1 <sup>5</sup> / <sub>8</sub> " (41.3)	12 Ga.	–	12 Ga.	12 Ga.	<u>1</u> <u>3</u> <u>4</u>	<u>1</u>	<u>1</u>	–	<u>1</u>
<b>B54</b>	1 <sup>3</sup> / <sub>16</sub> " (20.6)	1 <sup>5</sup> / <sub>8</sub> " (41.3)	14 Ga.	.080	14 Ga.	14 Ga.	<u>1</u> <u>2</u> <u>3</u> <u>4</u>	<u>1</u>	<u>1</u> <u>2</u> <u>3</u> <u>4</u>	–	<u>1</u> <u>2</u>
<b>B62</b>	1 <sup>3</sup> / <sub>16</sub> " (20.6)	1 <sup>3</sup> / <sub>16</sub> " (20.6)	18 Ga.	–	–	–	–	–	–	–	–
<b>B72</b>	1 <sup>3</sup> / <sub>32</sub> " (10.3)	1 <sup>3</sup> / <sub>16</sub> " (20.6)	18 Ga.	–	–	–	–	–	–	–	–

The selection has been prepared to provide a reference for available channel, materials and hole patterns. Material types available for various hole patterns are defined by numbers 1 thru 4.

Some stainless steel channels with hole patterns are available on special order only.

\* Metric equivalent for thicknesses shown in chart.      \*\* 1 - Steel  
 12 Ga. = 2.6 mm                      18 Ga. = 1.2 mm                      2 - Aluminum  
 14 Ga. = 1.9 mm                      .105 = 2.6 mm                      3 - Type 304 Stainless Steel  
 16 Ga. = 1.5 mm                      .080 = 2.0 mm                      4 - Type 316 Stainless Steel

Properties may vary due to commercial tolerances of the material.



Reference page 48 for general fitting and standard finish specifications.

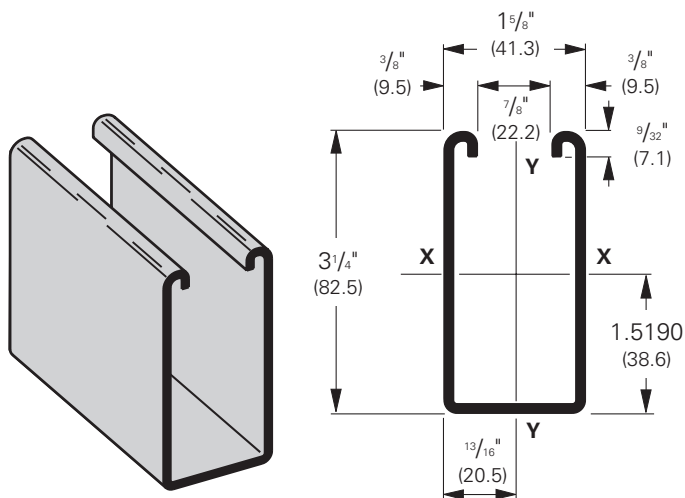
# B11 Channel, combinations & load data

## B11

- Thickness: 12 Gauge (2.6 mm)
- Standard lengths: 10' (3.05 m) & 20' (6.09 m)
- Standard finishes: Plain, DURA GREEN™, Pre-Galvanized, Hot-Dipped Galvanized, Aluminum
- Weight: 3.05 Lbs./Ft. (4.54 kg/m)

### Note:

Aluminum loading, for B11, can be determined by multiplying load data times a factor of 0.38



Section Properties			X - X Axis			Y - Y Axis		
Channel	Weight lbs./ft. kg/m	Areas of Section sq. in. cm <sup>2</sup>	Moment of Inertia (I) in. <sup>4</sup> cm <sup>4</sup>	Section Modulus (S) in. <sup>3</sup> cm <sup>3</sup>	Radius of Gyration (r) in. cm	Moment of Inertia (I) in. <sup>4</sup> cm <sup>4</sup>	Section Modulus (S) in. <sup>3</sup> cm <sup>3</sup>	Radius of Gyration (r) in. cm
<b>B11</b>	3.059 (4.55)	.900 (5.81)	1.1203(46.63)	.6472 (10.61)	1.116 (2.83)	.4357(18.14)	.5362 (8.79)	.696 (1.77)
<b>B11A</b>	6.119 (9.11)	1.800(11.61)	6.3931(266.10)	1.9671(32.24)	1.885 (4.79)	.8714(36.27)	1.0725(17.58)	.696 (1.77)

Calculations of section properties are based on metal thicknesses as determined by the AISI Cold-Formed Steel Design Manual.

## Beam Loading

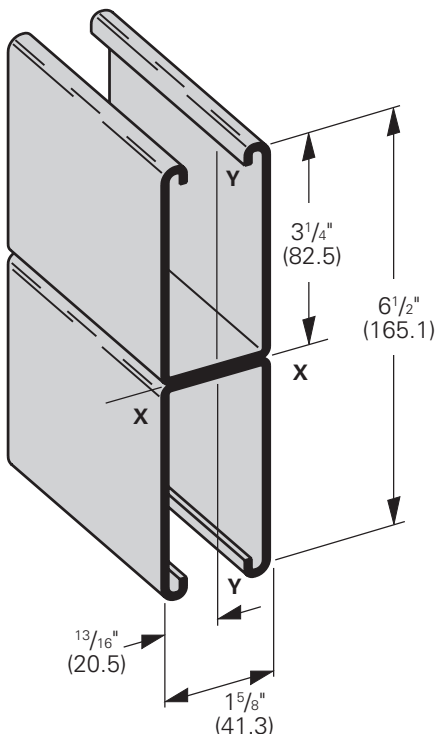
Beam Span In. mm	Channel Style	Uniform Load and Deflection				Uniform Load @ Deflection =			
		Lbs.	kN	In.	mm	1/240 Span		1/360 Span	
						Lbs.	kN	Lbs.	kN
24 (609)	<b>B11</b>	5130	(22.82)	.029	(.73)	5130	(22.82)	5130	(22.82)
	<b>B11A</b>	5130*	(22.82)	.005	(.13)	5130*	(22.82)	5130*	(22.82)
36 (914)	<b>B11</b>	3488	(15.51)	.065	(1.65)	3488	(15.51)	3488	(15.51)
	<b>B11A</b>	5130*	(22.82)	.017	(.43)	5130*	(22.82)	5130*	(22.82)
48 (1219)	<b>B11</b>	2616	(11.63)	.117	(2.97)	2616	(11.63)	2616	(11.63)
	<b>B11A</b>	5130*	(22.82)	.040	(1.01)	5130*	(22.82)	5130*	(22.82)
60 (1524)	<b>B11</b>	2093	(9.31)	.183	(4.65)	2093	(9.31)	1908	(8.49)
	<b>B11A</b>	5130*	(22.82)	.079	(2.00)	5130*	(22.82)	5130*	(22.82)
72 (1829)	<b>B11</b>	1744	(7.76)	.263	(6.68)	1744	(7.76)	1325	(5.89)
	<b>B11A</b>	5130*	(22.82)	.136	(3.45)	5130*	(22.82)	5130*	(22.82)
84 (2133)	<b>B11</b>	1495	(6.65)	.358	(9.09)	1460	(6.49)	974	(4.33)
	<b>B11A</b>	4552	(20.25)	.191	(4.85)	4552	(20.25)	4552	(20.25)
96 (2438)	<b>B11</b>	1308	(5.82)	.468	(11.89)	1118	(4.97)	745	(3.31)
	<b>B11A</b>	3983	(17.72)	.250	(6.35)	3983	(17.72)	3983	(17.72)
108 (2743)	<b>B11</b>	1163	(5.17)	.592	(15.03)	884	(3.93)	589	(2.62)
	<b>B11A</b>	3541	(15.75)	.317	(8.05)	3541	(15.75)	3353	(14.91)
120 (3048)	<b>B11</b>	1046	(4.65)	.731	(18.57)	716	(3.18)	477	(2.12)
	<b>B11A</b>	3187	(14.17)	.391	(9.93)	3187	(14.17)	2716	(12.08)
144 (3657)	<b>B11</b>	872	(3.88)	1.053	(26.74)	497	(2.21)	331	(1.47)
	<b>B11A</b>	2656	(11.81)	.563	(14.30)	2656	(11.81)	1886	(8.39)
168 (4267)	<b>B11</b>	747	(3.32)	1.433	(36.40)	365	(1.62)	243	(1.08)
	<b>B11A</b>	2276	(10.12)	.766	(19.45)	2078	(9.24)	1386	(6.16)
192 (4877)	<b>B11</b>	654	(2.91)	1.871	(47.52)	280	(1.24)	186	(0.83)
	<b>B11A</b>	1992	(8.86)	1.001	(25.42)	1591	(7.08)	1061	(4.72)
216 (5486)	<b>B11</b>	581	(2.58)	2.368	(60.15)	221	(0.98)	147	(0.65)
	<b>B11A</b>	1770	(7.87)	1.267	(32.18)	1257	(5.59)	838	(3.73)
240 (6096)	<b>B11</b>	523	(2.32)	2.924	(74.27)	179	(0.79)	119	(0.53)
	<b>B11A</b>	1593	(7.08)	1.564	(39.72)	1018	(4.53)	679	(3.02)

Based on simple beam condition using an allowable design stress of 25,000 psi (172 MPa) in accordance with MFMA, with adequate lateral bracing (see page 12 for further explanation). Actual yield point of cold rolled steel is 42,000 psi (289 MPa). To determine concentrated load capacity at mid span, multiply uniform load by 0.5 and corresponding deflection by 0.8. \*Failure determined by weld shear.

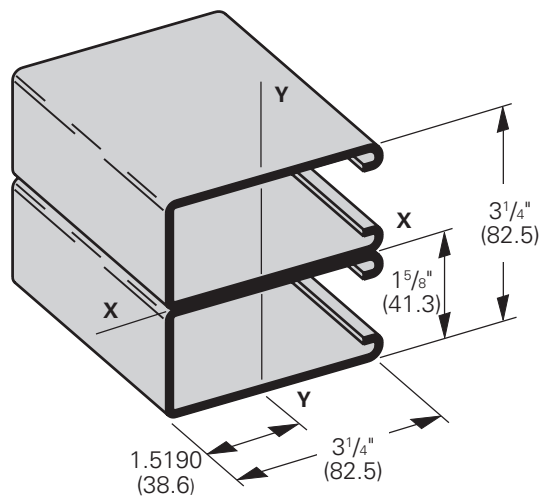
Reference page 48 for general fitting and standard finish specifications.



# B11 Beam & column loading data



**B11A**  
Wt. 6.10 Lbs./Ft. (9.08 kg/m)



**B11B**  
Wt. 6.10 Lbs./Ft. (9.08 kg/m)

## Column Loading

Unbraced Height In. mm	Channel Style	Max. Column Loading K = .80				Max. Column Loading (Loaded @ C.G.)					
		Loaded @ C.G.		Loaded @ Slot Face		K = .65		K = 1.0		K = 1.2	
		Lbs.	kN	Lbs.	kN	Lbs.	kN	Lbs.	kN	Lbs.	kN
24 (609)	<b>B11</b>	8190	(36.43)	4477	(19.91)	8446	(37.57)	7783	(34.62)	7311	(32.52)
	<b>B11A</b>	17701	(78.74)	8267	(36.77)	17778	(79.08)	17572	(78.16)	17416	(77.47)
36 (914)	<b>B11</b>	7311	(32.52)	4183	(18.61)	7838	(34.86)	6503	(28.93)	5612	(24.96)
	<b>B11A</b>	17416	(77.47)	8189	(36.42)	17590	(78.24)	17127	(76.18)	16774	(74.61)
48 (1219)	<b>B11</b>	6214	(27.64)	3783	(16.83)	7053	(31.37)	4988	(22.19)	3816	(16.97)
	<b>B11A</b>	17016	(75.69)	8079	(35.94)	17327	(77.07)	16503	(73.41)	15876	(70.62)
60 (1524)	<b>B11</b>	4988	(22.19)	3279	(14.58)	6140	(27.31)	3595	(15.99)	2790	(12.41)
	<b>B11A</b>	16503	(73.41)	7727	(34.37)	16988	(75.56)	15701	(69.84)	14721	(65.48)
72 (1829)	<b>B11</b>	3816	(16.97)	2444	(10.87)	5146	(22.89)	2790	(12.41)	2213	(9.84)
	<b>B11A</b>	15876	(70.62)	6160	(27.40)	16574	(73.72)	14721	(65.48)	13310	(59.20)
84 (2133)	<b>B11</b>	3063	(13.62)	1897	(8.44)	4133	(18.38)	2291	(10.19)	1846	(8.21)
	<b>B11A</b>	15135	(67.32)	4961	(22.07)	16084	(71.54)	13563	(60.33)	11642	(51.78)
96 (2438)	<b>B11</b>	2564	(11.40)	1532	(6.81)	3398	(15.11)	1953	(8.69)	1591	(7.08)
	<b>B11A</b>	14279	(63.51)	4045	(17.99)	15520	(69.03)	12226	(54.38)	9717	(43.22)
108 (2743)	<b>B11</b>	2213	(9.84)	1273	(5.66)	2886	(12.84)	1708	(7.60)	1401	(6.23)
	<b>B11A</b>	13310	(59.20)	3337	(14.84)	14880	(66.19)	10712	(47.65)	7725	(34.36)
120 (3048)	<b>B11</b>	1953	(8.69)	1081	(4.81)	2514	(11.18)	1522	(6.77)	1251**	(5.56)
	<b>B11A</b>	12226	(54.38)	2784	(12.38)	14164	(63.00)	9019	(40.12)	6257**	(27.83)
144 (3657)	<b>B11</b>	1591	(7.08)	816	(3.63)	2011	(8.94)	1251**	(5.56)	1026**	(4.56)
	<b>B11A</b>	9717	(43.22)	1990	(8.85)	12508	(55.64)	6257**	(27.83)	4345**	(19.33)
168 (4267)	<b>B11</b>	1347	(5.99)	642	(2.85)	1687	(7.50)	1058**	(4.70)	859**	(3.82)
	<b>B11A</b>	7183	(31.95)	1464	(6.51)	10550	(46.93)	4597**	(20.45)	3192**	(14.20)
192 (4877)	<b>B11</b>	1167**	(5.19)	519	(2.31)	1459	(6.49)	910**	(4.05)	-	-
	<b>B11A</b>	5499**	(24.46)	1121	(4.98)	8330	(37.05)	3520**	(15.66)	-	-
216 (5486)	<b>B11</b>	1026**	(4.56)	429	(1.91)	1285**	(5.71)	-	-	-	-
	<b>B11A</b>	4345**	(19.33)	885	(3.93)	6582**	(29.28)	-	-	-	-
40 (6096)	<b>B11</b>	910**	(4.05)	360	(1.60)	1148**	(5.10)	-	-	-	-
	<b>B11A</b>	3520**	(15.66)	717	(3.19)	5331**	(23.71)	-	-	-	-

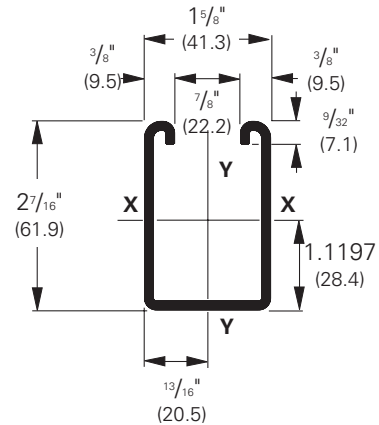
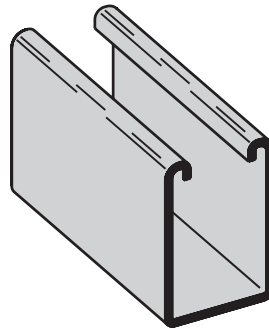
\*\*Where the slenderness ratio  $\frac{KL}{r}$  exceeds 200, and K = end fixity factor, L = actual length and r = radius of gyration.

Reference page 48 for general fitting and standard finish specifications.

# B12 Channel, combinations

## B12

- Thickness: 12 Gauge (2.6 mm)
- Standard lengths: 10' (3.05 m) & 20' (6.09 m)
- Standard finishes: Plain, DURA GREEN™, Pre-Galvanized, Hot-Dipped Galvanized, Aluminum
- Weight: 2.47 Lbs./Ft. (3.67 kg/m)

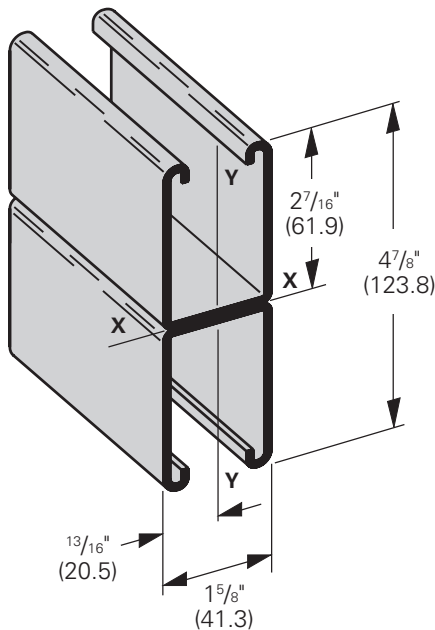


### Note:

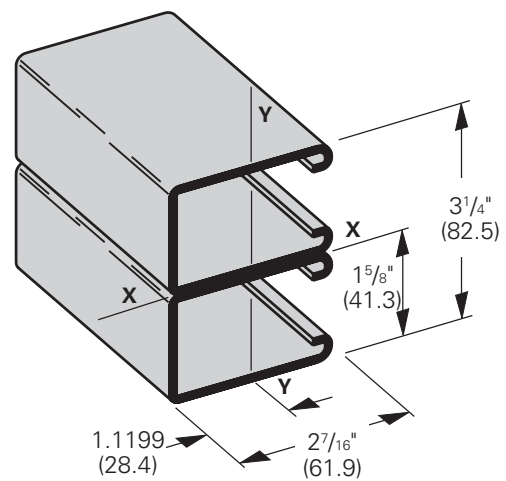
Aluminum loading, for B12, can be determined by multiplying load data times a factor of 0.38

Section Properties			X - X Axis			Y - Y Axis		
Channel	Weight lbs./ft. kg/m	Areas of Section sq. in. cm <sup>2</sup>	Moment of Inertia (I) in. <sup>4</sup> cm <sup>4</sup>	Section Modulus (S) in. <sup>3</sup> cm <sup>3</sup>	Radius of Gyration (r) in. cm	Moment of Inertia (I) in. <sup>4</sup> cm <sup>4</sup>	Section Modulus (S) in. <sup>3</sup> cm <sup>3</sup>	Radius of Gyration (r) in. cm
<b>B12</b>	2.484 (3.70)	.731 (4.71)	.5349 (22.26)	.4061 (6.65)	.856 (2.17)	.3377 (14.06)	.4156 (6.81)	.680 (1.73)
<b>B12A</b>	4.969 (7.40)	1.462 (9.43)	2.9036 (120.86)	1.1915 (19.52)	1.409 (3.58)	.6756 (28.12)	.8315 (13.63)	.680 (1.73)

Calculations of section properties are based on metal thicknesses as determined by the AISI Cold-Formed Steel Design Manual.



**B12A**  
Wt. 4.94 Lbs./Ft. (7.35 kg/m)



**B12B**  
Wt. 4.94 Lbs./Ft. (7.35 kg/m)

Reference page 48 for general fitting and standard finish specifications.

# B12 Beam & column loading data

## Beam Loading

Beam Span In. mm	Channel Style	Uniform Load and Deflection				Uniform Load @ Deflection =			
		Lbs.		kN		1/240 Span		1/360 Span	
		In.	mm	Lbs.	kN	Lbs.	kN	Lbs.	kN
12 (305)	<b>B12</b>	3880	(17.26)	.009	(.23)	3880	(17.26)	3880	(17.26)
	<b>B12A</b>	3880*	(17.26)	.001	(.02)	3880*	(17.26)	3880*	(17.26)
24 (609)	<b>B12</b>	3273	(14.56)	.038	(.96)	3273	(14.56)	3273	(14.56)
	<b>B12A</b>	3880*	(17.26)	.008	(.20)	3880*	(17.26)	3880*	(17.26)
36 (914)	<b>B12</b>	2182	(9.70)	.086	(2.18)	2182	(9.70)	2182	(9.70)
	<b>B12A</b>	3880*	(17.26)	.028	(.71)	3880*	(17.26)	3880*	(17.26)
48 (1219)	<b>B12</b>	1636	(7.28)	.153	(3.88)	1636	(7.28)	1421	(6.32)
	<b>B12A</b>	3880*	(17.26)	.067	(1.70)	3880*	(17.26)	3880*	(17.26)
60 (1524)	<b>B12</b>	1309	(5.82)	.240	(6.09)	1309	(5.82)	909	(4.04)
	<b>B12A</b>	3847*	(17.11)	.130	(3.30)	3847*	(17.11)	3847*	(17.11)
72 (1829)	<b>B12</b>	1091	(4.85)	.345	(8.76)	947	(4.21)	632	(2.81)
	<b>B12A</b>	3206	(14.26)	.188	(4.77)	3206	(14.26)	3206	(14.26)
84 (2133)	<b>B12</b>	935	(4.16)	.470	(11.94)	696	(3.09)	464	(2.06)
	<b>B12A</b>	2748	(12.22)	.255	(6.48)	2748	(12.22)	2509	(11.16)
96 (2438)	<b>B12</b>	818	(3.64)	.614	(15.59)	533	(2.37)	355	(1.58)
	<b>B12A</b>	2404	(10.69)	.334	(8.48)	2404	(10.69)	1921	(8.54)
108 (2743)	<b>B12</b>	727	(3.23)	.777	(19.73)	421	(1.87)	281	(1.25)
	<b>B12A</b>	2137	(9.50)	.422	(10.72)	2137	(9.50)	1518	(6.75)
120 (3048)	<b>B12</b>	655	(2.93)	.959	(24.36)	341	(1.52)	227	(1.01)
	<b>B12A</b>	1924	(8.56)	.521	(13.23)	1844	(8.20)	1229	(5.47)

Based on simple beam condition using an allowable design stress of 25,000 psi (172 MPa) in accordance with MFMA, with adequate lateral bracing (see page 12 for further explanation). Actual yield point of cold rolled steel is 42,000 psi. To determine concentrated load capacity at mid span, multiply uniform load by 0.5 and corresponding deflection by 0.8. \*Failure determined by weld shear.

## Column Loading

Unbraced Height In. mm	Channel Style	Max. Column Loading K = .80				Max. Column Loading (Loaded @ C.G.)					
		Loaded@ C.G.		Loaded@ Slot Face		K = .65		K = 1.0		K = 1.2	
		Lbs.	kN	Lbs.	kN	Lbs.	kN	Lbs.	kN	Lbs.	kN
12 (305)	<b>B12</b>	10140	(45.10)	4752	(21.14)	10247	(45.58)	9965	(44.32)	9756	(43.40)
	<b>B12A</b>	20820	(92.61)	8023	(35.69)	20854	(92.76)	20763	(92.36)	20694	(92.05)
24 (609)	<b>B12</b>	9244	(41.12)	4514	(20.08)	9639	(42.87)	8629	(38.38)	7933	(35.29)
	<b>B12A</b>	20519	(91.27)	7956	(35.39)	20655	(91.88)	20293	(90.27)	20017	(89.04)
36 (914)	<b>B12</b>	7933	(35.29)	4137	(18.40)	8711	(35.75)	6786	(30.18)	5572	(24.78)
	<b>B12A</b>	20017	(89.04)	7844	(34.89)	20324	(90.40)	19509	(86.78)	18889	(84.02)
48 (1219)	<b>B12</b>	6386	(28.40)	3638	(16.18)	7562	(33.64)	4785	(21.28)	3717	(16.53)
	<b>B12A</b>	19315	(85.92)	7688	(34.20)	19861	(88.34)	18412	(81.90)	17309	(76.99)
60 (1524)	<b>B12</b>	4785	(21.28)	2963	(13.18)	6285	(27.96)	3523	(15.67)	2806	(12.48)
	<b>B12A</b>	18412	(81.90)	6941	(30.87)	19265	(85.69)	17002	(75.63)	15278	(67.96)
72 (1829)	<b>B12</b>	3717	(16.53)	2197	(9.77)	4964	(22.08)	2806	(12.48)	2271	(10.10)
	<b>B12A</b>	17309	(76.99)	5334	(23.73)	18536	(82.45)	15278	(67.96)	12795	(56.91)
84 (2133)	<b>B12</b>	3052	(13.57)	1717	(7.64)	3994	(17.76)	2345	(10.43)	1913	(8.51)
	<b>B12A</b>	16005	(71.19)	4176	(18.57)	17675	(78.62)	13240	(58.89)	9884	(43.96)
96 (2438)	<b>B12</b>	2600	(11.56)	1391	(6.19)	3350	(14.90)	2019	(8.98)	1650	(7.34)
	<b>B12A</b>	14500	(64.50)	3328	(14.80)	16682	(74.20)	10889	(48.43)	7567	(33.66)
108 (2743)	<b>B12</b>	2271	(10.10)	1155	(5.14)	2893	(12.87)	1773	(7.88)	1446	(6.43)
	<b>B12A</b>	12795	(56.91)	2692	(11.97)	15556	(69.19)	8610	(38.30)	5979	(26.59)
120 (3048)	<b>B12</b>	2019	(8.98)	977	(4.34)	2553	(11.35)	1577	(7.01)	1279**	(5.69)
	<b>B12A</b>	10889	(48.43)	2202	(9.79)	14298	(63.60)	6974	(31.02)	4843**	(21.54)

\*\*Where the slenderness ratio  $\frac{L}{r}$  exceeds 200, and K = end fixity factor, L = actual length and r = radius of gyration.

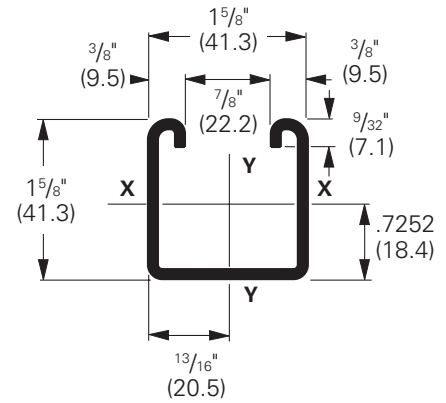
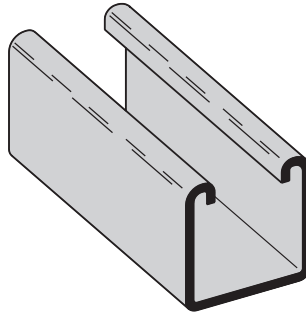
Reference page 48 for general fitting and standard finish specifications.



# B22 Channel

## B22

- Thickness: 12 Gauge (2.6 mm)
- Standard lengths: 10' (3.05 m) & 20' (6.09 m)
- Standard finishes: Plain, DURA GREEN™, Pre-Galvanized, Hot-Dipped Galvanized, Stainless Steel Type 304 or 316, Aluminum
- Weight: 1.90 Lbs./Ft. (2.83 kg/m)

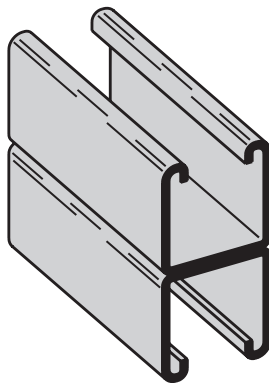


### Note:

Aluminum loading, for B22 & B22A, can be determined by multiplying load data times a factor of 0.38

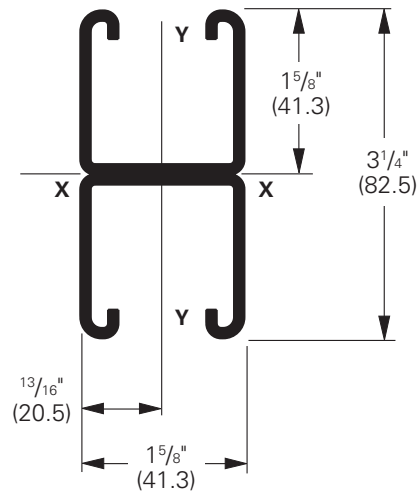
Section Properties			X - X Axis				Y - Y Axis			
Channel	Weight lbs./ft. kg/m	Areas of Section sq. in. cm <sup>2</sup>	Moment of Inertia (I) in. <sup>4</sup> cm <sup>4</sup>	Section Modulus (S) in. <sup>3</sup> cm <sup>3</sup>	Radius of Gyration (r) in. cm	Moment of Inertia (I) in. <sup>4</sup> cm <sup>4</sup>	Section Modulus (S) in. <sup>3</sup> cm <sup>3</sup>	Radius of Gyration (r) in. cm		
<b>B22</b>	1.910 (2.84)	.562 (3.62)	.1912 (7.96)	.2125 (3.48)	.583 (1.48)	.2399 (9.99)	.2953 (4.84)	.653 (1.66)		
<b>B22A</b>	3.820 (5.69)	1.124 (7.25)	.9732 (40.51)	.5989 (9.81)	.931 (2.36)	.4798 (19.97)	.5905 (9.68)	.653 (1.66)		
<b>B22X</b>	6.649 (9.89)	1.956 (12.62)	4.1484 (172.67)	1.7019 (27.89)	1.456 (3.70)	1.1023 (45.88)	1.2027 (19.71)	.751 (1.91)		

Calculations of section properties are based on metal thicknesses as determined by the AISI Cold-Formed Steel Design Manual.

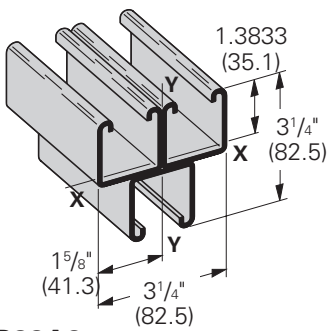


## B22A

Wt. 3.80 Lbs./Ft. (5.65 kg/m)

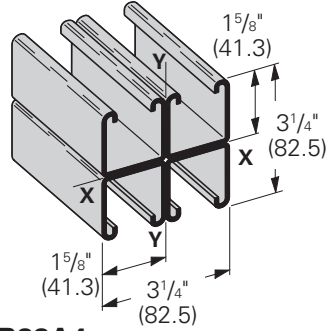


# B22 Combinations



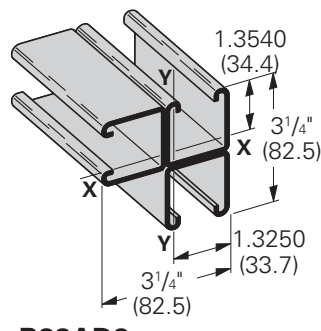
**B22A3**

Wt. 5.70 Lbs./Ft. (8.48 kg/m)



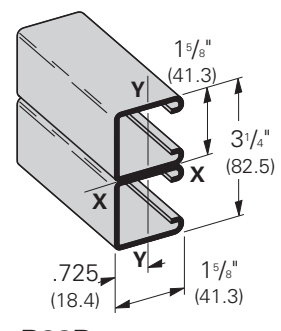
**B22A4**

Wt. 7.60 Lbs./Ft. (11.31 kg/m)



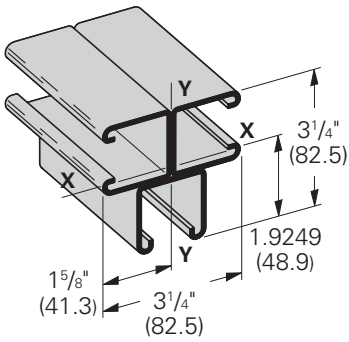
**B22AD3**

Wt. 5.70 Lbs./Ft. (8.48 kg/m)



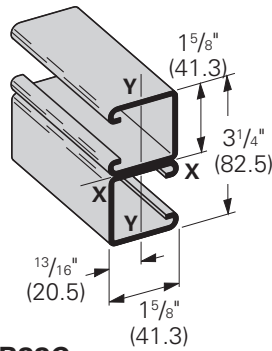
**B22B**

Wt. 3.80 Lbs./Ft. (5.65 kg/m)



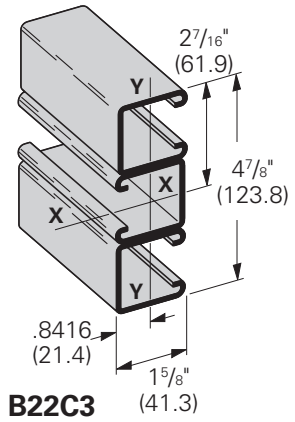
**B22B3**

Wt. 5.70 Lbs./Ft. (8.48 kg/m)



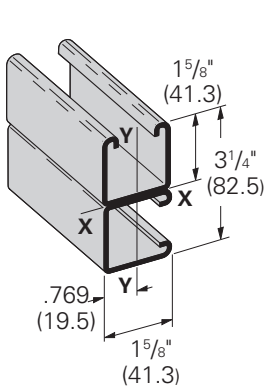
**B22C**

Wt. 3.80 Lbs./Ft. (5.65 kg/m)



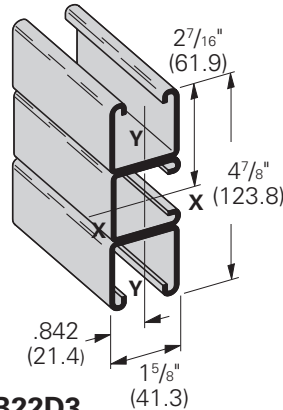
**B22C3**

Wt. 5.70 Lbs./Ft. (8.48 kg/m)



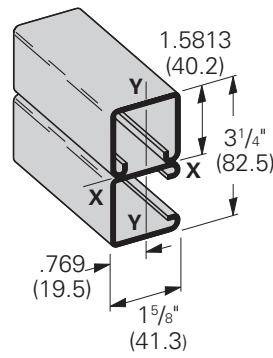
**B22D**

Wt. 3.80 Lbs./Ft. (5.65 kg/m)



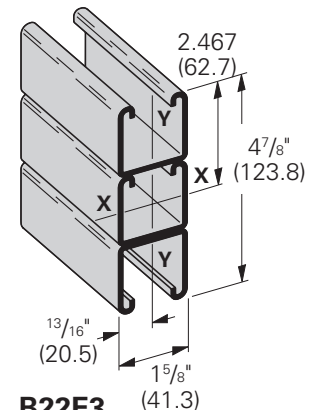
**B22D3**

Wt. 5.70 Lbs./Ft. (8.48 kg/m)



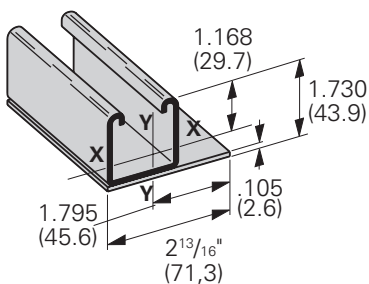
**B22E**

Wt. 3.80 Lbs./Ft. (5.65 kg/m)



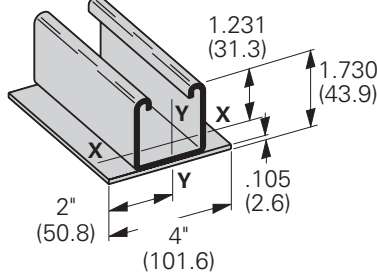
**B22E3**

Wt. 5.70 Lbs./Ft. (8.48 kg/m)



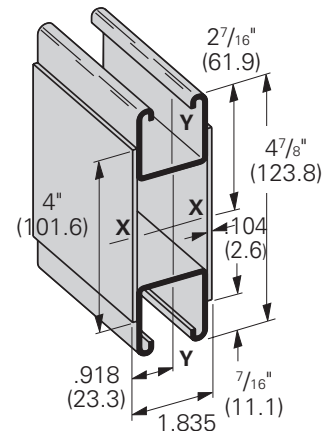
**B22LPL**

Wt. 2.90 Lbs./Ft. (4.31 kg/m)



**B22PL**

Wt. 3.35 Lbs./Ft. (4.98 kg/m)



**B22X**

Wt. 6.70 Lbs./Ft. (9.97 kg/m)

Reference page 48 for general fitting and standard finish specifications.

Channel & Combinations

# B22 Beam loading data

## Beam Loading

Beam Span In. mm	Channel Style	Uniform Load and Deflection				Uniform Load @ Deflection =			
		Lbs.	kN	In.	mm	1/240 Span Lbs.	kN	1/360 Span Lbs.	kN
12 (305)	<b>B22</b>	2610	(11.61)	.014	(.35)	2610	(11.61)	2610	(11.61)
	<b>B22A</b>	2610*	(11.61)	.002	(.05)	2610*	(11.61)	2610*	(11.61)
	<b>B22X</b>	5790*	(25.75)	.001	(.02)	5790*	(25.75)	5790*	(25.75)
18 (457)	<b>B22</b>	2269	(10.09)	.031	(.79)	2269	(10.09)	2269	(10.09)
	<b>B22A</b>	2610*	(11.61)	.007	(.18)	2610*	(11.61)	2610*	(11.61)
	<b>B22X</b>	5790*	(25.75)	.003	(.07)	5790*	(25.75)	5790*	(25.75)
24 (609)	<b>B22</b>	1702	(7.57)	.056	(1.42)	1702	(7.57)	1702	(7.57)
	<b>B22A</b>	2610*	(11.61)	.017	(.43)	2610*	(11.61)	2610*	(11.61)
	<b>B22X</b>	5790*	(25.75)	.008	(.20)	5790*	(25.75)	5790*	(25.75)
30 (762)	<b>B22</b>	1361	(6.05)	.087	(2.21)	1361	(6.05)	1294	(5.75)
	<b>B22A</b>	2610*	(11.61)	.033	(.84)	2610*	(11.61)	2610*	(11.61)
	<b>B22X</b>	5790*	(25.75)	.017	(.73)	5790*	(25.75)	5790*	(25.75)
36 (914)	<b>B22</b>	1135	(5.05)	.126	(3.20)	1135	(5.05)	899	(4.00)
	<b>B22A</b>	2610*	(11.61)	.057	(1.45)	2610*	(11.61)	2610*	(11.61)
	<b>B22X</b>	5790*	(25.75)	.029	(.73)	5790*	(25.75)	5790*	(25.75)
42 (1067)	<b>B22</b>	972	(4.32)	.172	(4.37)	972	(4.32)	660	(2.93)
	<b>B22A</b>	2610*	(11.61)	.091	(2.31)	2610*	(11.61)	2610*	(11.61)
	<b>B22X</b>	5790*	(25.75)	.046	(1.17)	5790*	(25.75)	5790*	(25.75)
48 (1219)	<b>B22</b>	851	(3.78)	.224	(5.69)	758	(3.37)	505	(2.24)
	<b>B22A</b>	2405	(10.70)	.125	(3.17)	2405	(10.70)	2405	(10.70)
	<b>B22X</b>	5790*	(25.75)	.068	(1.73)	5790*	(25.75)	5790*	(25.75)
54 (1371)	<b>B22</b>	756	(3.36)	.284	(7.21)	599	(2.66)	399	(1.77)
	<b>B22A</b>	2138	(9.51)	.158	(4.01)	2138	(9.51)	2024	(9.00)
	<b>B22X</b>	5790*	(25.75)	.097	(2.46)	5790*	(25.75)	5790*	(25.75)
60 (1524)	<b>B22</b>	681	(3.03)	.351	(8.91)	485	(2.16)	323	(1.44)
	<b>B22A</b>	1924	(8.56)	.195	(4.95)	1924	(8.56)	1640	(7.29)
	<b>B22X</b>	5645	(25.11)	.130	(3.30)	5645	(25.11)	5645	(25.11)
66 (1676)	<b>B22</b>	619	(2.75)	.424	(10.77)	401	(1.78)	267	(1.19)
	<b>B22A</b>	1749	(7.78)	.236	(5.99)	1749	(7.78)	1355	(6.03)
	<b>B22X</b>	5132	(22.83)	.158	(4.01)	5132	(22.83)	5132	(22.83)
72 (1829)	<b>B22</b>	567	(2.52)	.505	(12.83)	337	(1.50)	225	(1.00)
	<b>B22A</b>	1603	(7.13)	.281	(7.14)	1603	(7.13)	1139	(5.06)
	<b>B22X</b>	4704	(20.92)	.188	(4.77)	4704	(20.92)	4704	(20.92)
78 (1981)	<b>B22</b>	524	(2.33)	.593	(15.06)	287	(1.27)	191	(0.85)
	<b>B22A</b>	1480	(6.58)	.330	(8.38)	1455	(6.47)	970	(4.31)
	<b>B22X</b>	4342	(19.31)	.220	(5.59)	4342	(19.31)	4270	(18.99)
84 (2133)	<b>B22</b>	486	(2.16)	.687	(17.45)	248	(1.10)	165	(0.73)
	<b>B22A</b>	1374	(6.11)	.383	(9.73)	1255	(5.58)	837	(3.72)
	<b>B22X</b>	4032	(17.93)	.255	(6.48)	4032	(17.93)	3682	(16.38)
90 (2286)	<b>B22</b>	454	(2.02)	.789	(20.04)	216	(0.96)	144	(0.64)
	<b>B22A</b>	1283	(5.71)	.440	(11.17)	1093	(4.86)	729	(3.24)
	<b>B22X</b>	3763	(16.74)	.293	(7.44)	3763	(16.74)	3207	(14.26)
96 (2438)	<b>B22</b>	425	(1.89)	.898	(22.81)	190	(0.84)	126	(0.56)
	<b>B22A</b>	1202	(5.35)	.500	(12.70)	961	(4.27)	640	(2.85)
	<b>B22X</b>	3528	(15.69)	.334	(8.48)	3528	(15.69)	2819	(12.54)
102 (2591)	<b>B22</b>	400	(1.78)	1.013	(25.73)	168	(0.75)	112	(0.50)
	<b>B22A</b>	1132	(5.03)	.565	(14.35)	851	(3.78)	567	(2.52)
	<b>B22X</b>	3320	(14.77)	.377	(9.57)	3320	(14.77)	2497	(11.11)
108 (2743)	<b>B22</b>	378	(1.68)	1.136	(28.85)	150	(0.67)	100	(0.44)
	<b>B22A</b>	1069	(4.75)	.633	(16.08)	759	(3.37)	506	(2.25)
	<b>B22X</b>	3136	(13.95)	.422	(10.72)	3136	(13.95)	2227	(9.90)
114 (2895)	<b>B22</b>	358	(1.59)	1.266	(32.15)	134	(0.59)	90	(0.40)
	<b>B22A</b>	1013	(4.50)	.706	(17.93)	681	(3.03)	454	(2.02)
	<b>B22X</b>	2971	(13.21)	.471	(11.96)	2971	(13.21)	1999	(8.89)
120 (3048)	<b>B22</b>	340	(1.51)	1.403	(35.63)	121	(0.54)	81	(0.36)
	<b>B22A</b>	962	(4.28)	.782	(19.86)	615	(2.73)	410	(1.82)
	<b>B22X</b>	2822	(12.55)	.521	(13.23)	2706	(12.04)	1804	(8.02)

Based on simple beam condition using an allowable design stress of 25,000 psi (172 MPa) in accordance with MFMA, with adequate lateral bracing (see page 12 for further explanation). Actual yield point of cold rolled steel is 42,000 psi. To determine concentrated load capacity at mid span, multiply uniform load by 0.5 and corresponding deflection by 0.8. \*Failure determined by weld shear.

Reference page 48 for general fitting and standard finish specifications.



## Column Loading

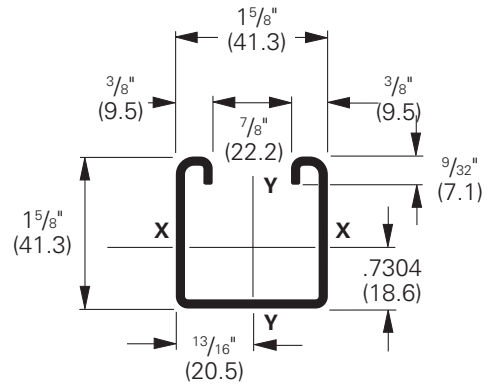
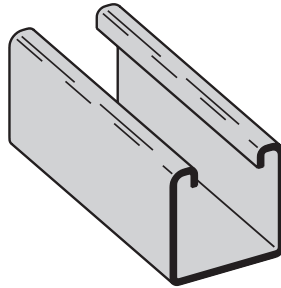
Unbraced Height		Channel Style	Max. Column Loading K = .80				Max. Column Loading (Loaded @ C.G.)					
			Loaded @ C.G.		Loaded @ Slot Face		K = .65		K = 1.0		K = 1.2	
			Lbs.	kN	Lbs.	kN	Lbs.	kN	Lbs.	kN	Lbs.	kN
In.	mm											
12	(305)	<b>B22</b>	10454	(46.50)	4276	(19.12)	10598	(47.14)	10222	(45.47)	9950	(44.26)
		<b>B22A</b>	21625	(96.19)	7002	(31.14)	21677	(96.42)	21539	(95.81)	21433	(95.34)
		<b>B22X</b>	46948	(208.83)	18975	(84.40)	47061	(209.34)	46761	(208.00)	46531	(206.98)
18	(457)	<b>B22</b>	9950	(44.26)	4153	(18.47)	10253	(45.62)	9481	(42.17)	8955	(39.83)
		<b>B22A</b>	21433	(95.34)	6959	(30.95)	21551	(95.86)	21239	(94.47)	21001	(93.42)
		<b>B22X</b>	46531	(206.98)	18859	(83.90)	46787	(208.12)	46110	(205.11)	45593	(202.81)
24	(609)	<b>B22</b>	9311	(41.42)	3993	(17.76)	9801	(43.60)	8582	(38.17)	7801	(34.70)
		<b>B22A</b>	21164	(94.14)	6898	(30.68)	21373	(95.07)	20819	(92.61)	20397	(90.73)
		<b>B22X</b>	45947	(204.38)	18693	(84.44)	46401	(206.40)	45198	(201.05)	44282	(196.97)
30	(762)	<b>B22</b>	8582	(38.17)	3802	(16.91)	9268	(41.22)	7601	(33.81)	6595	(29.33)
		<b>B22A</b>	20819	(92.61)	6821	(30.34)	21145	(94.06)	20279	(90.20)	19619	(87.27)
		<b>B22X</b>	45198	(201.05)	18485	(82.22)	45906	(204.20)	44026	(195.84)	42593	(189.46)
36	(914)	<b>B22</b>	7801	(34.70)	3589	(15.96)	8676	(38.59)	6595	(28.33)	5392	(23.98)
		<b>B22A</b>	20397	(90.73)	6728	(29.93)	20866	(92.81)	19619	(87.27)	18669	(83.04)
		<b>B22X</b>	44282	(196.97)	18233	(81.10)	45300	(201.50)	42593	(189.46)	40530	(180.28)
42	(1067)	<b>B22</b>	6998	(31.13)	3360	(14.94)	8048	(35.80)	5595	(24.89)	4444	(19.77)
		<b>B22A</b>	19898	(88.51)	6620	(29.45)	20537	(91.33)	18840	(83.80)	17546	(78.05)
		<b>B22X</b>	43198	(192.15)	17940	(79.80)	44586	(198.33)	40901	(181.94)	38092	(169.44)
48	(1219)	<b>B22</b>	6193	(27.55)	3118	(13.87)	7401	(32.92)	4718	(20.99)	3791	(16.86)
		<b>B22A</b>	19322	(85.95)	6496	(28.89)	20157	(89.66)	17940	(79.80)	16251	(72.29)
		<b>B22X</b>	41948	(186.59)	17604	(78.30)	43761	(194.57)	38948	(173.25)	35281	(156.94)
54	(1371)	<b>B22</b>	5392	(23.98)	2864	(12.74)	6746	(30.01)	4090	(18.19)	3310	(14.72)
		<b>B22A</b>	18669	(83.04)	6263	(27.86)	19276	(87.74)	16920	(75.26)	14782	(65.75)
		<b>B22X</b>	40530	(180.28)	16973	(75.50)	42825	(190.49)	36733	(163.39)	32092	(142.75)
60	(1524)	<b>B22</b>	4718	(20.99)	2631	(11.70)	6093	(27.10)	3616	(16.08)	2936	(13.06)
		<b>B22A</b>	17940	(79.80)	5340	(23.75)	19244	(85.60)	15781	(70.20)	13141	(58.45)
		<b>B22X</b>	38948	(173.25)	14471	(64.37)	41779	(185.84)	34260	(152.39)	28529	(126.90)
66	(1676)	<b>B22</b>	4202	(18.69)	2434	(10.83)	5441	(24.20)	3242	(14.42)	2634	(11.71)
		<b>B22A</b>	17134	(76.21)	4587	(20.40)	18712	(83.23)	14521	(64.59)	11328	(50.39)
		<b>B22X</b>	37198	(165.46)	12431	(55.29)	40624	(180.70)	31525	(140.23)	24593	(109.39)
72	(1829)	<b>B22</b>	3791	(16.86)	2264	(10.07)	4869	(21.66)	2936	(13.06)	2381	(10.59)
		<b>B22A</b>	16251	(72.29)	3968	(17.65)	18129	(80.64)	13141	(58.45)	9524	(42.36)
		<b>B22X</b>	35281	(156.94)	10753	(47.83)	39358	(175.07)	28529	(126.90)	20676	(91.97)
78	(1981)	<b>B22</b>	3456	(15.37)	2116	(9.41)	4412	(19.62)	2680	(11.92)	2166	(9.63)
		<b>B22A</b>	15291	(68.02)	3456	(15.37)	17496	(77.82)	11642	(51.78)	8115	(36.10)
		<b>B22X</b>	33197	(147.67)	9366	(41.66)	37984	(168.96)	25275	(112.43)	17617	(78.36)
84	(2133)	<b>B22</b>	3176	(14.13)	1984	(8.82)	4037	(17.96)	2461	(10.95)	1980	(8.81)
		<b>B22A</b>	14255	(63.41)	3028	(13.47)	16812	(74.78)	10076	(44.82)	6998	(31.13)
		<b>B22X</b>	30947	(137.66)	8206	(36.50)	36499	(162.35)	21875	(97.30)	15192	(67.58)
90	(2286)	<b>B22</b>	2936	(13.06)	1867	(8.30)	3724	(16.56)	2270	(10.10)	1816	(8.08)
		<b>B22A</b>	13141	(58.45)	2667	(11.86)	16077	(71.51)	8778	(39.04)	6096	(27.11)
		<b>B22X</b>	28529	(126.90)	7227	(32.15)	34903	(155.25)	19057	(84.77)	13234	(58.87)
96	(2438)	<b>B22</b>	2728	(16.58)	1761	(7.83)	3456	(15.37)	2101	(9.34)	1671	(7.43)
		<b>B22A</b>	11951	(53.16)	2359	(10.49)	15291	(68.02)	7715	(34.32)	5357	(23.83)
		<b>B22X</b>	25945	(115.41)	6393	(28.44)	33197	(147.67)	16749	(74.50)	11630	(51.73)
102	(2591)	<b>B22</b>	2545	(11.32)	1664	(7.40)	3225	(14.34)	1951	(8.68)	1542**	(6.34)
		<b>B22A</b>	10678	(47.50)	2093	(9.31)	14455	(64.30)	6834	(30.40)	4746	(21.11)
		<b>B22X</b>	23182	(103.12)	5672	(25.23)	31382	(139.59)	14836	(65.99)	10303	(45.83)
108	(2743)	<b>B22</b>	2381	(10.59)	1575	(7.00)	3022	(13.44)	1816	(8.08)	1426**	(68.60)
		<b>B22A</b>	9524	(42.36)	1867	(8.30)	13568	(60.35)	6096	(27.11)	4233	(18.83)
		<b>B22X</b>	20676	(91.97)	5059	(22.50)	29456	(131.03)	13234	(58.87)	9190	(40.88)
114	(2895)	<b>B22</b>	2234	(9.94)	1494	(6.64)	2842	(12.64)	1694	(7.53)	1322**	(5.88)
		<b>B22A</b>	8548	(38.02)	1675	(7.45)	12630	(56.18)	5471	(24.33)	3799**	(16.90)
		<b>B22X</b>	18558	(82.55)	4539	(20.19)	27420	(121.97)	11877	(52.83)	8247	(36.68)
120	(3048)	<b>B22</b>	2101	(9.34)	1418	(6.31)	2680	(11.92)	1583**	(7.04)	1228**	(5.46)
		<b>B22A</b>	7715	(34.32)	1512	(6.72)	11642	(51.78)	4937	(21.96)	3429**	(15.25)
		<b>B22X</b>	16749	(74.50)	4097	(18.22)	25275	(112.43)	10718	(47.67)	7444	(33.11)

\*\*Where the slenderness ratio  $\frac{KL}{r}$  exceeds 200, and K = end fixity factor, L = actual length and r = radius of gyration.

# B24 Channel & combinations

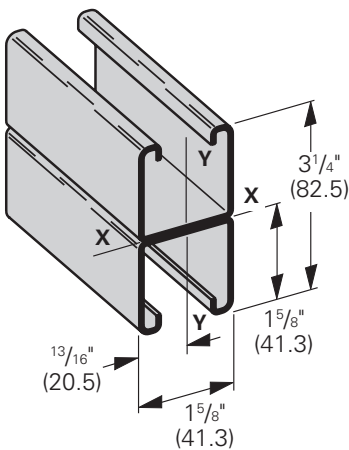
## B24

- Thickness: 14 Gauge (1.9 mm)
- Standard lengths: 10' (3.05 m) & 20' (6.09 m)
- Standard finishes: Plain, DURA GREEN™, Pre-Galvanized, Hot-Dipped Galvanized, Stainless Steel Type 304 or 316
- Weight: 1.40 Lbs./Ft. (2.08 kg/m)

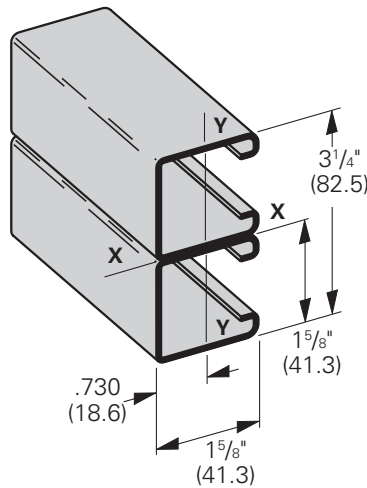


Section Properties			X - X Axis			Y - Y Axis		
Channel	Weight lbs./ft. kg/m	Areas of Section sq. in. cm <sup>2</sup>	Moment of Inertia (I) in. <sup>4</sup> cm <sup>4</sup>	Section Modulus (S) in. <sup>3</sup> cm <sup>3</sup>	Radius of Gyration (r) in. cm	Moment of Inertia (I) in. <sup>4</sup> cm <sup>4</sup>	Section Modulus (S) in. <sup>3</sup> cm <sup>3</sup>	Radius of Gyration (r) in. cm
<b>B24</b>	1.442 (2.15)	.424 (2.74)	.1494 (6.22)	.1670 (2.74)	.594 (1.51)	.1857 (7.73)	.2286 (3.75)	.662 (1.68)
<b>B24A</b>	2.884 (4.29)	.848 (5.47)	.7514 (31.28)	.4624 (7.58)	.941 (2.39)	.3713 (15.45)	.4570 (7.49)	.662 (1.68)

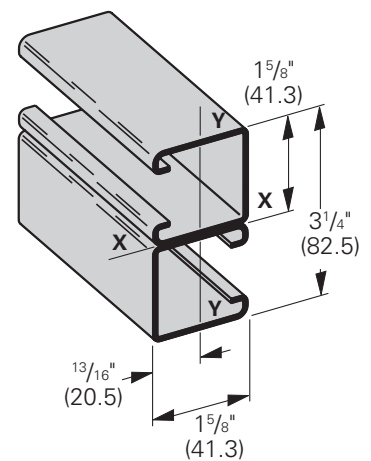
Calculations of section properties are based on metal thicknesses as determined by the AISI Cold-Formed Steel Design Manual.



**B24A**  
Wt. 2.80 Lbs./Ft. (4.16 kg/m)



**B24B**  
Wt. 2.80 Lbs./Ft. (4.16 kg/m)



**B24C**  
Wt. 2.80 Lbs./Ft. (4.16 kg/m)

Reference page 48 for general fitting and standard finish specifications.

# B24 Beam & column loading data

## Beam Loading

Beam Span In. mm	Channel Style	Uniform Load and Deflection				Uniform Load @ Deflection =			
		Lbs. kN		In. mm		<sup>1</sup> / <sub>240</sub> Span Lbs. kN		<sup>1</sup> / <sub>360</sub> Span Lbs. kN	
12 (305)	<b>B24</b>	1750	(7.78)	.014	(.35)	1750	(7.78)	1750	(7.78)
	<b>B24A</b>	1750*	(7.78)	.002	(.05)	1750*	(7.78)	1750*	(7.78)
24 (609)	<b>B24</b>	1379	(6.13)	.057	(1.45)	1379	(6.13)	1379	(6.13)
	<b>B24A</b>	1750*	(7.78)	.014	(.35)	1750*	(7.78)	1750*	(7.78)
36 (914)	<b>B24</b>	919	(4.09)	.128	(3.25)	919	(4.09)	720	(3.20)
	<b>B24A</b>	1750*	(7.78)	.048	(1.22)	1750*	(7.78)	1750*	(7.78)
48 (1219)	<b>B24</b>	689	(3.06)	.227	(5.76)	607	(2.70)	405	(1.80)
	<b>B24A</b>	1750*	(7.78)	.115	(2.92)	1750*	(7.78)	1750*	(7.78)
60 (1524)	<b>B24</b>	551	(2.45)	.355	(9.02)	389	(1.73)	259	(1.15)
	<b>B24A</b>	1518	(6.75)	.195	(4.95)	1518	(6.75)	1294	(5.75)
72 (1829)	<b>B24</b>	460	(2.04)	.511	(12.98)	270	(1.20)	180	(0.80)
	<b>B24A</b>	1265	(5.63)	.281	(7.14)	1265	(5.63)	898	(3.99)
84 (2133)	<b>B24</b>	394	(1.75)	.695	(17.65)	198	(0.88)	132	(0.59)
	<b>B24A</b>	1084	(4.82)	.383	(9.73)	990	(4.40)	660	(2.93)
96 (2438)	<b>B24</b>	345	(1.53)	.908	(23.06)	152	(0.67)	101	(0.45)
	<b>B24A</b>	949	(4.22)	.500	(12.70)	758	(3.37)	505	(2.24)
108 (2743)	<b>B24</b>	306	(1.36)	1.149	(29.18)	120	(0.53)	80	(0.35)
	<b>B24A</b>	843	(3.75)	.633	(16.08)	599	(2.66)	399	(1.77)
120 (3048)	<b>B24</b>	276	(1.23)	1.419	(36.04)	97	(0.43)	65	(0.29)
	<b>B24A</b>	759	(3.37)	.782	(19.86)	485	(2.16)	323	(1.44)

Based on simple beam condition using an allowable design stress of 25,000 psi (172 MPa) in accordance with MFMA, with adequate lateral bracing (see page 12 for further explanation). Actual yield point of cold rolled steel is 42,000 psi. To determine concentrated load capacity at mid span, multiply uniform load by 0.5 and corresponding deflection by 0.8. \*Failure determined by weld shear.

## Column Loading

Unbraced Height In. mm	Channel Style	Max. Column Loading K = .80				Max. Column Loading (Loaded @ C.G.)					
		Loaded@ C.G.		Loaded@ Slot Face		K = .65		K = 1.0		K = 1.2	
		Lbs.	kN	Lbs.	kN	Lbs.	kN	Lbs.	kN	Lbs.	kN
12 (305)	<b>B24</b>	6441	(28.65)	3077	(13.69)	6509	(28.95)	6330	(28.16)	6198	(27.57)
	<b>B24A</b>	13212	(58.77)	4988	(22.19)	13237	(58.88)	13171	(58.59)	13121	(58.36)
24 (609)	<b>B24</b>	5874	(26.13)	2896	(12.88)	6124	(27.24)	5483	(24.39)	5038	(22.41)
	<b>B24A</b>	12993	(57.79)	4924	(21.90)	13092	(58.23)	12828	(57.06)	12627	(56.17)
36 (914)	<b>B24</b>	5038	(22.41)	2619	(11.65)	5535	(24.62)	4302	(19.13)	3516	(15.64)
	<b>B24A</b>	12627	(56.17)	4819	(21.43)	12851	(57.16)	12256	(54.52)	11804	(52.51)
48 (1219)	<b>B24</b>	4043	(17.98)	2272	(10.10)	4800	(21.35)	3008	(13.38)	2324	(10.34)
	<b>B24A</b>	12115	(53.89)	4675	(20.79)	12512	(55.65)	11456	(50.96)	10651	(47.38)
60 (1524)	<b>B24</b>	3008	(13.38)	1873	(8.33)	3978	(17.69)	2200	(9.78)	1740	(7.74)
	<b>B24A</b>	11456	(50.96)	4020	(17.88)	12078	(53.72)	10427	(46.38)	9169	(40.78)
72 (1829)	<b>B24</b>	2324	(10.34)	1562	(6.95)	3123	(13.89)	1740	(7.74)	1397	(6.21)
	<b>B24A</b>	10651	(47.38)	3048	(13.56)	11546	(51.36)	9169	(40.78)	7358	(32.73)
84 (2133)	<b>B24</b>	1898	(8.44)	1340	(5.96)	2502	(11.13)	1444	(6.42)	1168	(5.19)
	<b>B24A</b>	9700	(43.15)	2362	(10.50)	10918	(48.56)	7683	(34.17)	5464	(24.30)
96 (2438)	<b>B24</b>	1608	(7.15)	1175	(5.22)	2089	(9.29)	1236	(5.50)	1000	(4.45)
	<b>B24A</b>	8602	(38.26)	1866	(8.30)	10194	(45.34)	6024	(26.79)	4184	(18.61)
108 (2743)	<b>B24</b>	1397	(6.21)	1046	(4.65)	1796	(7.99)	1078	(4.79)	870**	(3.87)
	<b>B24A</b>	7358	(32.73)	1498	(6.66)	9373	(41.69)	4760	(21.17)	3306	(14.70)
120 (3048)	<b>B24</b>	1236	(5.50)	942	(4.19)	1578	(7.02)	953**	(4.24)	764**	(3.40)
	<b>B24A</b>	6024	(26.79)	1216	(5.41)	8455	(37.61)	3856	(17.15)	2677**	(11.91)

\*\*Where the slenderness ratio  $\frac{KL}{r}$  exceeds 200, and K = end fixity factor, L = actual length and r = radius of gyration.

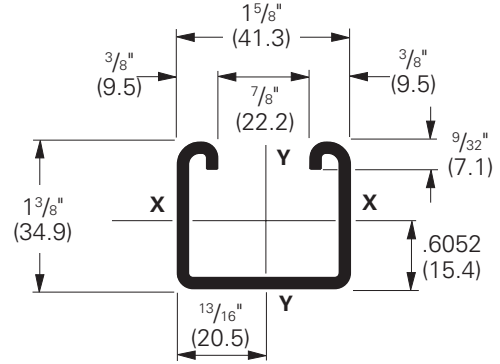
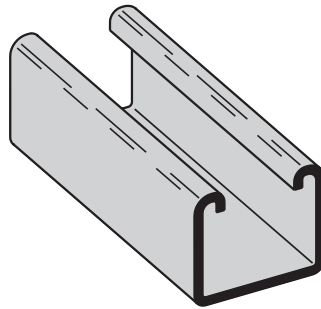
Reference page 48 for general fitting and standard finish specifications.



# B32 Channel & combinations

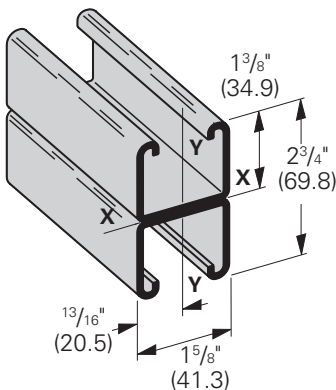
## B32

- Thickness: 12 Gauge (2.6 mm)
- Standard lengths: 10' (3.05 m) & 20' (6.09 m)
- Standard finishes: Plain, DURA GREEN™, Pre-Galvanized, Hot-Dipped Galvanized, Stainless Steel Type 304
- Weight: 1.70 Lbs./Ft. (2.53 kg/m)

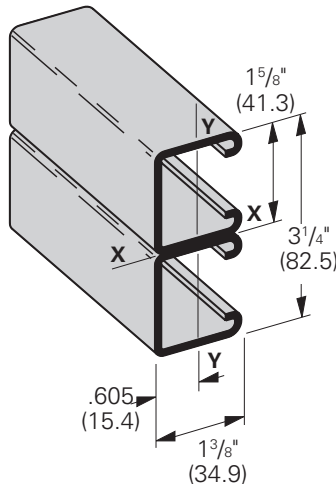


Section Properties			X - X Axis			Y - Y Axis		
Channel	Weight lbs./ft. kg/m	Areas of Section sq. in. cm <sup>2</sup>	Moment of Inertia (I) in. <sup>4</sup> cm <sup>4</sup>	Section Modulus (S) in. <sup>3</sup> cm <sup>3</sup>	Radius of Gyration (r) in. cm	Moment of Inertia (I) in. <sup>4</sup> cm <sup>4</sup>	Section Modulus (S) in. <sup>3</sup> cm <sup>3</sup>	Radius of Gyration (r) in. cm
<b>B32</b>	1.733 (2.58)	.510 (3.29)	.1252 (5.21)	.1626 (2.67)	.496 (1.26)	.2098 (8.73)	.2582 (4.23)	.642 (1.63)
<b>B32A</b>	3.467 (5.16)	1.020 (6.58)	.6238 (25.96)	.4537 (7.43)	.782 (1.99)	.4195 (17.46)	.5163 (8.46)	.642 (1.63)

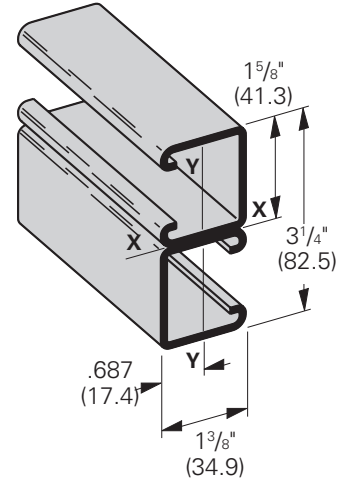
Calculations of section properties are based on metal thicknesses as determined by the AISI Cold-Formed Steel Design Manual.



**B32A**  
Wt. 3.40 Lbs./Ft. (5.06 kg/m)



**B32B**  
Wt. 3.40 Lbs./Ft. (5.06 kg/m)



**B32C**  
Wt. 3.40 Lbs./Ft. (5.06 kg/m)

Reference page 48 for general fitting and standard finish specifications.

# B32 Beam & column loading data

## Beam Loading

Beam Span In. mm		Channel Style	Uniform Load and Deflection				Uniform Load @ Deflection =			
			Lbs. kN		In. mm		1/240 Span		1/360 Span	
			Lbs.	kN	In.	mm	Lbs.	kN	Lbs.	kN
12	(305)	<b>B32</b>	2210	(9.83)	.016	(.40)	2210	(9.83)	2210	(9.83)
		<b>B32A</b>	2210*	(9.83)	.003	(.07)	2210*	(9.83)	2210*	(9.83)
24	(609)	<b>B32</b>	1299	(5.78)	.065	(1.65)	1299	(5.78)	1299	(5.78)
		<b>B32A</b>	2210*	(9.83)	.022	(.56)	2210*	(9.83)	2210*	(9.83)
36	(914)	<b>B32</b>	866	(3.85)	.147	(3.73)	866	(3.85)	587	(2.61)
		<b>B32A</b>	2210*	(9.83)	.076	(1.93)	2210*	(9.83)	2210*	(9.83)
48	(1219)	<b>B32</b>	649	(2.89)	.262	(6.65)	495	(2.20)	330	(1.47)
		<b>B32A</b>	1817	(8.08)	.148	(3.76)	1817	(8.08)	1638	(7.28)
60	(1524)	<b>B32</b>	520	(2.31)	.410	(10.41)	317	(1.41)	211	(0.94)
		<b>B32A</b>	1454	(6.47)	.231	(5.87)	1454	(6.47)	1048	(4.66)
72	(1829)	<b>B32</b>	433	(1.92)	.590	(14.98)	220	(0.98)	147	(0.65)
		<b>B32A</b>	1211	(5.39)	.333	(8.46)	1092	(4.86)	728	(3.24)
84	(2133)	<b>B32</b>	371	(1.65)	.803	(20.39)	162	(0.72)	108	(0.48)
		<b>B32A</b>	1038	(4.62)	.453	(11.50)	802	(3.57)	535	(2.38)
96	(2438)	<b>B32</b>	325	(1.44)	1.049	(26.64)	124	(0.55)	83	(0.37)
		<b>B32A</b>	909	(4.04)	.591	(15.01)	614	(2.73)	410	(1.82)
108	(2743)	<b>B32</b>	289	(1.28)	1.327	(33.70)	98	(0.43)	65	(0.29)
		<b>B32A</b>	808	(3.59)	.749	(19.02)	485	(2.16)	324	(1.44)
120	(3048)	<b>B32</b>	260	(1.15)	1.639	(41.63)	79	(0.35)	53	(0.23)
		<b>B32A</b>	727	(3.23)	.924	(23.47)	393	(1.75)	262	(1.16)

Based on simple beam condition using an allowable design stress of 25,000 psi (172 MPa) in accordance with MFMA, with adequate lateral bracing (see page 12 for further explanation). Actual yield point of cold rolled steel is 42,000 psi. To determine concentrated load capacity at mid span, multiply uniform load by 0.5 and corresponding deflection by 0.8. \*Failure determined by weld shear.

## Column Loading

Unbraced Height In. mm	Channel Style	Max. Column Loading K = .80				Max. Column Loading (Loaded @ C.G.)						
		Loaded@ C.G.		Loaded@ Slot Face		K = .65		K = 1.0		K = 1.2		
		Lbs.	kN	Lbs.	kN	Lbs.	kN	Lbs.	kN	Lbs.	kN	
12	(305)	<b>B32</b>	10278	(4.572)	4036	(17.95)	10432	(46.40)	10035	(44.64)	9753	(43.38)
		<b>B32A</b>	21320	(94.83)	6557	(29.17)	21378	(95.09)	21224	(94.41)	21106	(93.88)
24	(609)	<b>B32</b>	9104	(40.49)	3732	(16.60)	9600	(42.70)	8387	(37.31)	7640	(33.98)
		<b>B32A</b>	20806	(92.55)	6431	(28.60)	21039	(93.58)	20421	(90.84)	19950	(88.74)
36	(914)	<b>B32</b>	7640	(33.98)	3323	(14.78)	8479	(37.71)	6520	(29.00)	5425	(24.13)
		<b>B32A</b>	19950	(88.74)	6228	(27.70)	20474	(91.07)	19083	(84.88)	18023	(80.17)
48	(1219)	<b>B32</b>	6151	(27.36)	2877	(12.80)	7265	(32.31)	4778	(21.25)	3870	(17.21)
		<b>B32A</b>	18751	(83.41)	5954	(26.48)	19682	(87.55)	17210	(76.55)	15326	(68.17)
60	(1524)	<b>B32</b>	4778	(21.25)	2435	(10.83)	6060	(26.95)	3693	(16.43)	2994	(13.32)
		<b>B32A</b>	17210	(76.55)	4692	(20.87)	18665	(83.02)	14801	(65.84)	11858	(52.75)
72	(1829)	<b>B32</b>	3870	(17.21)	2089	(9.29)	4923	(21.90)	2994	(13.32)	2403	(10.68)
		<b>B32A</b>	15326	(68.17)	3448	(15.34)	17421	(77.49)	11858	(52.75)	8316	(36.99)
84	(2133)	<b>B32</b>	3243	(14.42)	1817	(8.08)	4114	(18.30)	2489	(11.07)	1807**	(8.04)
		<b>B32A</b>	13100	(58.27)	2609	(11.60)	15951	(70.95)	8798	(39.13)	6110	(27.18)
96	(2438)	<b>B32</b>	2774	(12.34)	1594	(7.09)	3531	(15.70)	1993	(8.86)	1384**	(6.15)
		<b>B32A</b>	10525	(46.82)	2014	(8.96)	14256	(63.41)	6736	(29.96)	4678	(20.81)
108	(2743)	<b>B32</b>	2403	(10.69)	1407	(6.26)	3083	(13.71)	1574**	(7.00)	1093**	(4.86)
		<b>B32A</b>	8316	(36.99)	1592	(7.08)	12334	(54.86)	5322	(23.67)	3696**	(16.44)
120	(3048)	<b>B32</b>	1993	(8.86)	1221	(5.43)	2723	(12.11)	1275**	(5.67)	886**	(3.94)
		<b>B32A</b>	6736	(29.96)	1289	(5.73)	10203	(45.38)	4311	(19.17)	2994**	(13.32)

\*\*Where the slenderness ratio  $\frac{KL}{r}$  exceeds 200, and K = end fixity factor, L = actual length and r = radius of gyration.

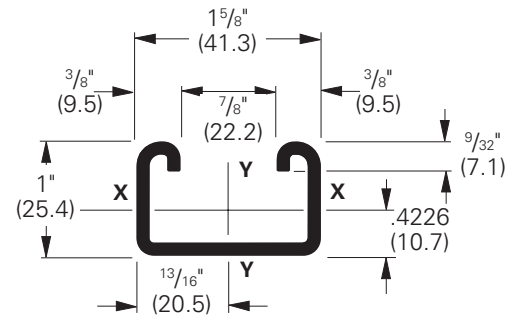
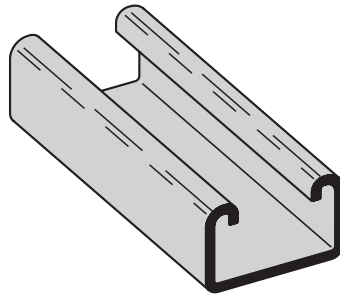
Reference page 48 for general fitting and standard finish specifications.

# B42 Channel & combinations

## B42

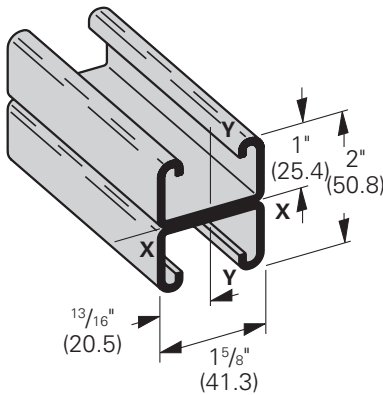
- Thickness: 12 Gauge (2.6 mm)
- Standard lengths: 10' (3.05 m) & 20' (6.09 m)
- Standard finishes: Plain, DURA GREEN™, Pre-Galvanized, Hot-Dipped Galvanized, Stainless Steel Type 304
- Weight: 1.44 Lbs./Ft. (2.14 kg/m)

Note: Also available in 14 gauge (1.9mm) material as B44

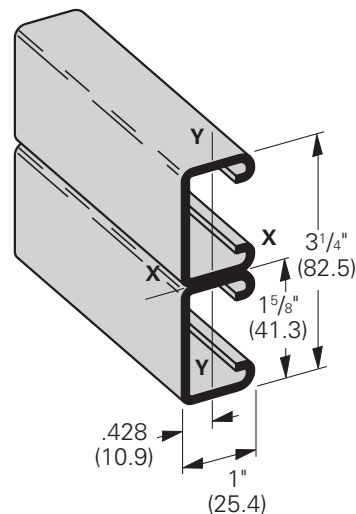


Section Properties			X - X Axis			Y - Y Axis		
Channel	Weight lbs./ft. kg/m	Areas of Section sq. in. cm <sup>2</sup>	Moment of Inertia (I) in. <sup>4</sup> cm <sup>4</sup>	Section Modulus (S) in. <sup>3</sup> cm <sup>3</sup>	Radius of Gyration (r) in. cm	Moment of Inertia (I) in. <sup>4</sup> cm <sup>4</sup>	Section Modulus (S) in. <sup>3</sup> cm <sup>3</sup>	Radius of Gyration (r) in. cm
<b>B42</b>	1.468 (2.18)	.432 (2.79)	.0554 (2.31)	.0968 (1.59)	.358 (.91)	.1645 (6.85)	.2025 (3.32)	.617 (1.57)
<b>B42A</b>	2.936 (4.37)	.864 (5.57)	.2689 (11.19)	.2689 (4.41)	.558 (1.42)	.3292 (13.70)	.4052 (6.64)	.617 (1.57)

Calculations of section properties are based on metal thicknesses as determined by the AISI Cold-Formed Steel Design Manual.



**B42A**  
Wt. 2.88 Lbs./Ft. (4.28 kg/m)



**B42B**  
Wt. 2.88 Lbs./Ft. (4.28 kg/m)

Reference page 48 for general fitting and standard finish specifications.



# B42 Beam & column loading data

## Beam Loading

Beam Span In. mm	Channel Style	Uniform Load and Deflection				Uniform Load @ Deflection =			
		Lbs.	kN	In.	mm	<sup>1</sup> / <sub>240</sub> Span		<sup>1</sup> / <sub>360</sub> Span	
						Lbs.	kN	Lbs.	kN
12 (305)	<b>B42</b>	1538	(6.84)	.022	(.56)	1538	(6.84)	1538	(6.84)
	<b>B42A</b>	1590*	(7.07)	.005	(.13)	1590*	(7.07)	1590*	(7.07)
24 (609)	<b>B42</b>	769	(3.42)	.088	(2.23)	769	(3.42)	582	(2.59)
	<b>B42A</b>	1590*	(7.07)	.038	(.96)	1590*	(7.07)	1590*	(7.07)
36 (914)	<b>B42</b>	513	(2.28)	.198	(5.03)	388	(1.72)	259	(1.15)
	<b>B42A</b>	1428	(6.35)	.114	(2.89)	1428	(6.35)	1248	(5.55)
48 (1219)	<b>B42</b>	384	(1.71)	.352	(8.94)	218	(0.97)	145	(0.64)
	<b>B42A</b>	1071	(4.76)	.203	(5.15)	1053	(4.68)	702	(3.12)
60 (1524)	<b>B42</b>	308	(1.37)	.550	(13.97)	140	(0.62)	93	(0.41)
	<b>B42A</b>	857	(3.81)	.318	(8.08)	674	(3.00)	449	(2.00)
72 (1829)	<b>B42</b>	256	(1.14)	.792	(20.11)	97	(0.43)	65	(0.29)
	<b>B42A</b>	714	(3.17)	.457	(11.61)	468	(2.08)	312	(1.39)
84 (2133)	<b>B42</b>	220	(0.98)	1.079	(27.40)	71	(0.31)	48	(0.21)
	<b>B42A</b>	612	(2.72)	.623	(15.82)	344	(1.53)	229	(1.02)
96 (2438)	<b>B42</b>	192	(0.85)	1.409	(35.79)	55	(0.24)	36	(0.16)
	<b>B42A</b>	535	(2.38)	.813	(20.65)	263	(1.17)	176	(0.78)
108 (2743)	<b>B42</b>	171	(0.76)	1.783	(45.29)	43	(0.19)	29	(0.13)
	<b>B42A</b>	476	(2.12)	1.029	(26.13)	208	(0.92)	139	(0.62)
120 (3048)	<b>B42</b>	154	(0.68)	2.202	(55.93)	35	(0.15)	23	(0.10)
	<b>B42A</b>	428	(1.90)	1.271	(32.28)	168	(0.75)	112	(0.50)

Based on simple beam condition using an allowable design stress of 25,000 psi (172 MPa) in accordance with MFMA, with adequate lateral bracing (see page 12 for further explanation). Actual yield point of cold rolled steel is 42,000 psi. To determine concentrated load capacity at mid span, multiply uniform load by 0.5 and corresponding deflection by 0.8. \*Failure determined by weld shear.

## Column Loading

Unbraced Height In. mm	Channel Style	Max. Column Loading K = .80				Max. Column Loading (Loaded @ C.G.)					
		Loaded@ C.G.		Loaded@ Slot Face		K = .65		K = 1.0		K = 1.2	
		Lbs.	kN	Lbs.	kN	Lbs.	kN	Lbs.	kN	Lbs.	kN
12 (305)	<b>B42</b>	9138	(40.65)	3493	(15.54)	9283	(41.23)	8916	(39.66)	8670	(38.56)
	<b>B42A</b>	21094	(93.83)	5834	(25.95)	21304	(94.76)	20793	(92.49)	20469	(91.05)
24 (609)	<b>B42</b>	8137	(36.19)	3145	(13.99)	8540	(37.99)	7589	(33.76)	7050	(31.36)
	<b>B42A</b>	19757	(87.88)	5585	(24.84)	20299	(90.29)	18964	(84.35)	18094	(80.48)
36 (914)	<b>B42</b>	7050	(31.36)	2722	(12.11)	7657	(34.06)	5925	(26.35)	4335	(19.28)
	<b>B42A</b>	18094	(80.48)	5237	(23.29)	19067	(84.81)	16654	(74.08)	15057	(66.98)
48 (1219)	<b>B42</b>	5405	(24.04)	2227	(9.90)	6786	(30.18)	3512	(15.62)	2439	(10.85)
	<b>B42A</b>	16139	(71.79)	4818	(21.43)	17632	(78.43)	13906	(61.86)	11387	(50.65)
60 (1524)	<b>B42</b>	3512	(15.62)	1718	(7.64)	5272	(23.45)	2247	(9.99)	1561**	(6.94)
	<b>B42A</b>	13906	(61.86)	4352	(19.36)	16008	(71.21)	10710	(47.64)	7531	(33.50)
72 (1829)	<b>B42</b>	2439	(10.85)	1351	(6.01)	3694	(16.43)	1561**	(6.94)	1084**	(4.82)
	<b>B42A</b>	11387	(50.65)	3856	(17.15)	14200	(64.16)	7531	(33.50)	5230	(23.26)
84 (2133)	<b>B42</b>	1792	(7.97)	1087	(4.83)	2714	(12.07)	1147**	(5.10)	796**	(3.54)
	<b>B42A</b>	8645	(38.45)	3332	(14.82)	12206	(54.29)	5533	(24.61)	3842	(17.09)
96 (2438)	<b>B42</b>	1372**	(6.10)	891	(3.96)	2078	(9.24)	878**	(3.90)	-	-
	<b>B42A</b>	6619	(29.44)	2873	(12.78)	10012	(44.53)	4236	(18.84)	2942**	(13.08)
108 (2743)	<b>B42</b>	1084**	(4.82)	743	(3.30)	1642	(7.30)	-	-	-	-
	<b>B42A</b>	5230	(23.26)	2495	(11.10)	7922	(35.24)	3347	(14.89)	2324**	(10.34)
120 (3048)	<b>B42</b>	878**	(3.90)	628	(2.79)	1330**	(5.91)	-	-	-	-
	<b>B42A</b>	4236	(18.84)	2182	(9.70)	6417	(28.54)	2711**	(12.06)	1883**	(8.37)

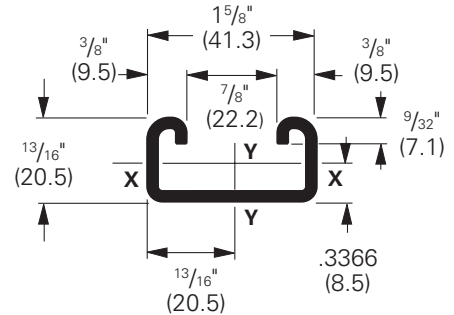
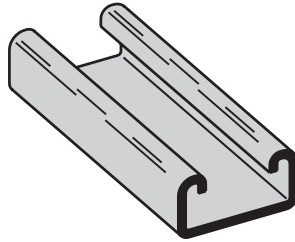
\*\*Where the slenderness ratio  $\frac{KL}{r}$  exceeds 200, and K = end fixity factor, L = actual length and r = radius of gyration.

Reference page 48 for general fitting and standard finish specifications.

# B52 Channel & combinations

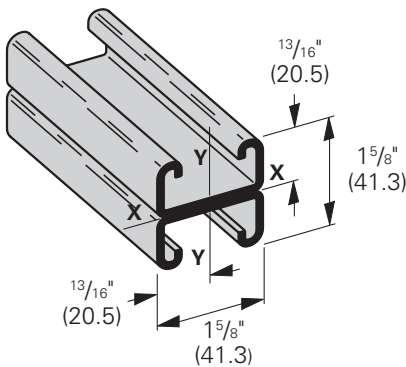
## B52

- Thickness: 12 Gauge (2.6 mm)
- Standard lengths: 10' (3.05 m) & 20' (6.09 m)
- Standard finishes: Plain, DURA GREEN™, Pre-Galvanized, Stainless Steel Type 304 or 316, Hot-Dipped Galvanized
- Weight: 1.27 Lbs./Ft. (1.89 kg/m)



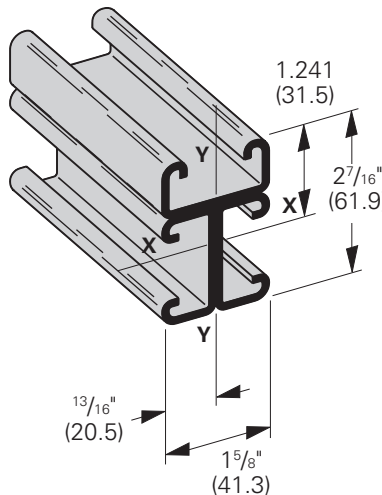
Section Properties			X - X Axis				Y - Y Axis									
Channel	Weight		Areas of Section	Moment of Inertia (I)	Section Modulus (S)	Radius of Gyration (r)	Moment of Inertia (I)		Section Modulus (S)		Radius of Gyration (r)					
	lbs./ft.	kg/m					sq. in.	cm <sup>2</sup>	in. <sup>4</sup>	cm <sup>4</sup>	in. <sup>3</sup>	cm <sup>3</sup>	in.	cm		
<b>B52</b>	1.313	(1.95)	.386	(2.49)	.0320	(1.33)	.0673	(1.10)	.288	(.73)	.1404	(5.84)	.1728	(2.83)	.603	(1.53)
<b>B52A</b>	2.627	(3.91)	.773	(4.99)	.1517	(6.31)	.1868	(3.06)	.443	(1.13)	.2809	(11.69)	.3457	(5.67)	.603	(1.53)

Calculations of section properties are based on metal thicknesses as determined by the AISI Cold-Formed Steel Design Manual.



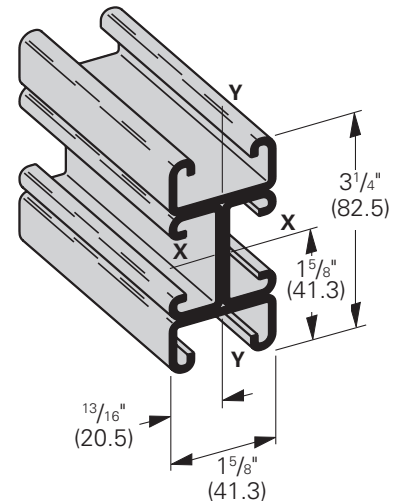
### B52A

Wt. 2.54 Lbs./Ft. (3.78 kg/m)



### B52B3

Wt. 3.81 Lbs./Ft. (5.67 kg/m)



### B52B4

Wt. 5.08 Lbs./Ft. (7.56 kg/m)

Reference page 48 for general fitting and standard finish specifications.

# B52 Beam & column loading data

## Beam Loading

Beam Span In. mm	Channel Style	Uniform Load and Deflection				Uniform Load @ Deflection =			
		Lbs.	kN	In.	mm	1/240 Span		1/360 Span	
		Lbs.	kN	In.	mm	Lbs.	kN	Lbs.	kN
12 (305)	<b>B52</b>	1079	(4.80)	.026	(.66)	1079	(4.80)	1079	(4.80)
	<b>B52A</b>	1270*	(5.65)	.006	(.15)	1270*	(5.65)	1270*	(5.65)
24 (609)	<b>B52</b>	539	(2.40)	.106	(2.69)	506	(2.25)	337	(1.50)
	<b>B52A</b>	1270*	(5.65)	.052	(1.32)	1270*	(5.65)	1270*	(5.65)
36 (914)	<b>B52</b>	360	(1.60)	.240	(6.09)	225	(1.00)	150	(0.67)
	<b>B52A</b>	1013	(4.50)	.141	(3.58)	1013	(4.50)	719	(3.20)
48 (1219)	<b>B52</b>	270	(1.20)	.427	(10.84)	126	(0.56)	84	(0.37)
	<b>B52A</b>	759	(3.37)	.250	(6.35)	607	(2.70)	404	(1.80)
60 (1524)	<b>B52</b>	216	(0.96)	.667	(16.94)	81	(0.36)	54	(0.24)
	<b>B52A</b>	608	(2.70)	.391	(9.93)	388	(1.72)	259	(1.15)
72 (1829)	<b>B52</b>	180	(0.80)	.960	(24.38)	56	(0.25)	37	(0.16)
	<b>B52A</b>	506	(.225)	.563	(14.30)	270	(1.20)	180	(0.80)
84 (2133)	<b>B52</b>	154	(0.68)	1.307	(33.20)	41	(0.18)	28	(0.12)
	<b>B52A</b>	434	(1.93)	.766	(19.45)	198	(0.88)	132	(0.59)
96 (2438)	<b>B52</b>	135	(0.60)	1.707	(43.36)	32	(0.14)	21	(0.09)
	<b>B52A</b>	380	(1.69)	1.001	(25.42)	152	(0.67)	101	(0.45)
108 (2743)	<b>B52</b>	120	(0.53)	2.160	(54.86)	25	(0.11)	17	(0.07)
	<b>B52A</b>	338	(1.50)	1.267	(32.18)	120	(0.53)	80	(0.35)
120 (3048)	<b>B52</b>	108	(0.48)	2.667	(67.74)	20	(0.09)	13	(0.06)
	<b>B52A</b>	304	(.135)	1.564	(39.72)	97	(0.43)	65	(0.29)

Based on simple beam condition using an allowable design stress of 25,000 psi (172 MPa) in accordance with MFMA, with adequate lateral bracing (see page 12 for further explanation). Actual yield point of cold rolled steel is 42,000 psi. To determine concentrated load capacity at mid span, multiply uniform load by 0.5 and corresponding deflection by 0.8. \*Failure determined by weld shear.

## Column Loading

Unbraced Height In. mm	Channel Style	Max. Column Loading K = .80				Max. Column Loading (Loaded @ C.G.)					
		Loaded@ C.G.		Loaded@ Slot Face		K = .65		K = 1.0		K = 1.2	
		Lbs.	kN	Lbs.	kN	Lbs.	kN	Lbs.	kN	Lbs.	kN
12 (305)	<b>B52</b>	8407	(37.36)	3162	(14.06)	8543	(38.00)	8205	(36.50)	7989	(35.54)
	<b>B52A</b>	19160	(85.23)	5290	(23.53)	19425	(86.41)	18777	(83.52)	18363	(81.68)
24 (609)	<b>B52</b>	7519	(33.44)	2755	(12.25)	7879	(35.05)	6521	(29.01)	5397	(24.01)
	<b>B52A</b>	17444	(77.59)	4955	(22.04)	18144	(80.71)	16412	(73.00)	15275	(67.94)
36 (914)	<b>B52</b>	5397	(24.01)	2152	(9.57)	6653	(29.59)	3616	(16.08)	2511	(11.17)
	<b>B52A</b>	15275	(67.94)	4496	(20.00)	16547	(73.60)	13376	(59.50)	11243	(50.01)
48 (1219)	<b>B52</b>	3178	(14.13)	1560	(6.94)	4785	(21.28)	2034	(9.05)	1412**	(6.28)
	<b>B52A</b>	12692	(56.46)	3963	(17.63)	14667	(65.24)	9683	(43.07)	6780	(30.16)
60 (1524)	<b>B52</b>	2034	(9.05)	1159	(5.15)	3081	(13.70)	1302**	(5.79)	904**	(4.02)
	<b>B52A</b>	9683	(43.07)	3383	(15.05)	12516	(55.67)	6248	(27.79)	4339	(19.30)
72 (1829)	<b>B52</b>	1412**	(6.28)	891	(3.96)	2139	(9.51)	904**	(4.02)	-	-
	<b>B52A</b>	6780	(30.16)	2799	(12.45)	10084	(44.85)	4339	(19.30)	3013	(13.42)
84 (2133)	<b>B52</b>	1038**	(4.62)	704	(3.13)	1572	(6.99)	664**	(2.95)	-	-
	<b>B52A</b>	4981	(22.15)	2337	(10.39)	7545	(33.56)	3188	(14.18)	2214**	(9.85)
96 (2438)	<b>B52</b>	794**	(3.53)	570	(2.53)	1203**	(5.35)	-	-	-	-
	<b>B52A</b>	3814	(16.96)	1973	(8.77)	5777	(25.70)	2441**	(10.86)	1695**	(7.54)
108 (2743)	<b>B52</b>	-	-	470	(2.09)	951**	(4.23)	-	-	-	-
	<b>B52A</b>	3013	(13.40)	1684	(7.49)	4564	(20.30)	1928**	(8.57)	1339**	(5.95)
120 (3048)	<b>B52</b>	-	-	394	(1.75)	770**	(3.42)	-	-	-	-
	<b>B52A</b>	2441**	(10.86)	1452	(6.46)	3697	(16.44)	1562**	(6.95)	-	-

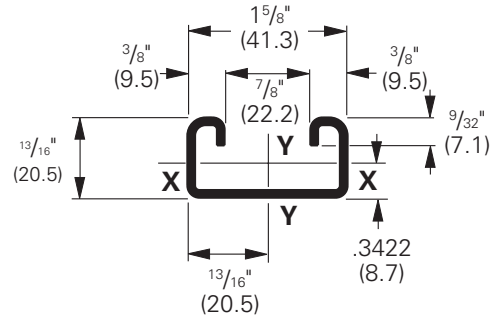
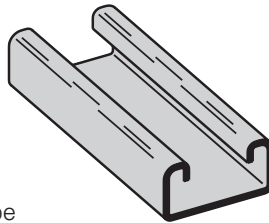
\*\*Where the slenderness ratio  $\frac{L}{r}$  exceeds 200, and K = end fixity factor, L = actual length and r = radius of gyration.

Reference page 48 for general fitting and standard finish specifications.

# B54 Channel & combinations

## B54

- Thickness: 14 Gauge (1.9 mm)
- Standard lengths: 10' (3.05 m) & 20' (6.09 m)
- Standard finishes: Plain, DURA GREEN™, Pre-Galvanized, Hot-Dipped Galvanized, Stainless Steel Type 304 or 316, Aluminum
- Weight: .97 Lbs./Ft. (1.44 kg/m)

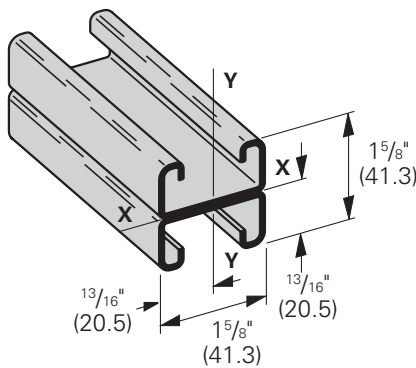


### Note:

Aluminum loading, for B54 & B54A, can be determined by multiplying load data times a factor of 0.38

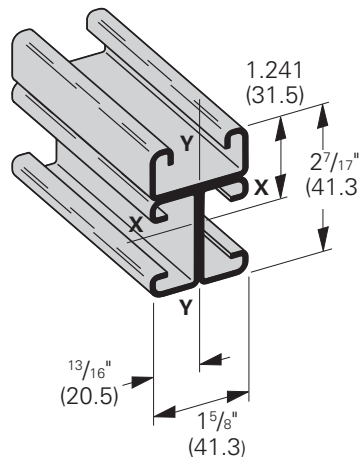
Section Properties			X - X Axis				Y - Y Axis			
Channel	Weight lbs./ft. kg/m	Areas of Section sq. in. cm <sup>2</sup>	Moment of Inertia (I) in. <sup>4</sup> cm <sup>4</sup>	Section Modulus (S) in. <sup>3</sup> cm <sup>3</sup>	Radius of Gyration (r) in. cm	Moment of Inertia (I) in. <sup>4</sup> cm <sup>4</sup>	Section Modulus (S) in. <sup>3</sup> cm <sup>3</sup>	Radius of Gyration (r) in. cm		
<b>B54</b>	1.016 (1.51)	.299 (1.93)	.0263 (1.09)	.0560 (.92)	.297 (.75)	.1106 (4.60)	.1361 (2.23)	.608 (1.55)		
<b>B54A</b>	2.032 (3.02)	.598 (3.86)	.1226 (5.10)	.1510 (2.47)	.453 (1.15)	.2212 (9.12)	.2722 (4.46)	.608 (1.55)		

Calculations of section properties are based on metal thicknesses as determined by the AISI Cold-Formed Steel Design Manual.



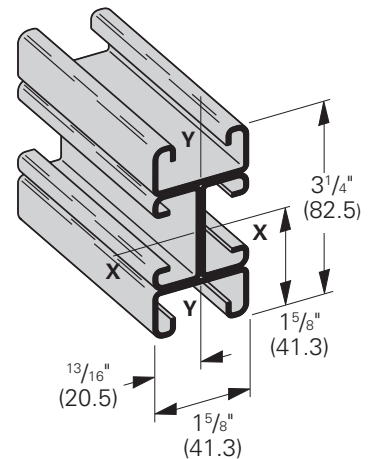
### B54A

Wt. 1.94 Lbs./Ft. (2.89 kg/m)



### B54B3

Wt. 2.91 Lbs./Ft. (4.33 kg/m)



### B54B4

Wt. 3.88 Lbs./Ft. (5.77 kg/m)



# B54 Beam & column loading data

## Beam Loading

Beam Span In. mm	Channel Style	Uniform Load and Deflection				Uniform Load @ Deflection =			
		Lbs.	kN	In.	mm	<sup>1</sup> / <sub>240</sub> Span		<sup>1</sup> / <sub>360</sub> Span	
		Lbs.	kN	In.	mm	Lbs.	kN	Lbs.	kN
12 (305)	<b>B54</b>	870	(3.87)	.027	(.68)	870	(3.87)	870	(3.87)
	<b>B54A</b>	870*	(3.87)	.005	(.13)	870*	(3.87)	870*	(3.87)
24 (609)	<b>B54</b>	465	(2.07)	.108	(2.74)	430	(1.91)	287	(1.27)
	<b>B54A</b>	870*	(3.87)	.043	(1.09)	870*	(3.87)	870*	(3.87)
36 (914)	<b>B54</b>	310	(1.38)	.243	(6.17)	191	(0.85)	127	(0.56)
	<b>B54A</b>	832	(3.70)	.141	(3.58)	832	(3.70)	591	(2.63)
48 (1219)	<b>B54</b>	233	(1.03)	.432	(10.97)	108	(0.48)	72	(0.32)
	<b>B54A</b>	624	(2.77)	.250	(6.35)	499	(2.22)	332	(1.48)
60 (1524)	<b>B54</b>	186	(0.83)	.676	(17.17)	69	(0.31)	46	(0.20)
	<b>B54A</b>	499	(2.22)	.391	(9.93)	319	(1.42)	213	(0.95)
72 (1829)	<b>B54</b>	155	(0.69)	.973	(24.71)	48	(0.21)	32	(0.14)
	<b>B54A</b>	416	(1.85)	.563	(14.30)	222	(0.99)	148	(0.66)
84 (2133)	<b>B54</b>	133	(0.59)	1.324	(33.63)	35	(0.15)	23	(0.10)
	<b>B54A</b>	357	(1.59)	.766	(19.45)	163	(0.72)	109	(0.48)
96 (2438)	<b>B54</b>	116	(0.51)	1.730	(43.94)	27	(0.12)	18	(0.08)
	<b>B54A</b>	312	(1.39)	1.001	(25.42)	125	(0.55)	83	(0.37)
108 (2743)	<b>B54</b>	103	(0.46)	2.189	(55.60)	21	(0.09)	14	(0.06)
	<b>B54A</b>	277	(1.23)	1.267	(32.18)	98	(0.43)	66	(0.29)
120 (3048)	<b>B54</b>	93	(0.41)	2.703	(68.65)	17	(0.07)	11	(0.05)
	<b>B54A</b>	250	(1.11)	1.564	(39.72)	80	(0.35)	53	(0.23)

Based on simple beam condition using an allowable design stress of 25,000 psi (172 MPa) in accordance with MFMA, with adequate lateral bracing (see page 12 for further explanation). Actual yield point of cold rolled steel is 42,000 psi. To determine concentrated load capacity at mid span, multiply uniform load by 0.5 and corresponding deflection by 0.8. \*Failure determined by weld shear.

## Column Loading

Unbraced Height In. mm	Channel Style	Max. Column Loading K = .80				Max. Column Loading (Loaded @ C.G.)					
		Loaded@ C.G.		Loaded@ Slot Face		K = .65		K = 1.0		K = 1.2	
		Lbs.	kN	Lbs.	kN	Lbs.	kN	Lbs.	kN	Lbs.	kN
12 (305)	<b>B54</b>	6186	(27.51)	2586	(11.50)	6284	(27.95)	6032	(26.83)	5857	(26.05)
	<b>B54A</b>	12763	(56.77)	4060	(18.06)	12835	(57.09)	12645	(56.25)	12501	(55.61)
24 (609)	<b>B54</b>	5464	(24.30)	2254	(10.02)	5763	(25.63)	4968	(22.10)	4300	(19.13)
	<b>B54A</b>	12135	(53.98)	3857	(17.16)	12420	(55.25)	11663	(51.88)	11087	(49.32)
36 (914)	<b>B54</b>	4300	(19.13)	1816	(8.08)	5043	(22.43)	3076	(13.68)	2136	(9.50)
	<b>B54A</b>	11087	(49.32)	3549	(15.79)	11728	(52.17)	10026	(44.60)	8729	(38.83)
48 (1219)	<b>B54</b>	2703	(12.02)	1341	(5.96)	3920	(17.44)	1730	(7.69)	1201	(5.34)
	<b>B54A</b>	9620	(42.79)	3169	(14.09)	10759	(47.86)	7734	(34.40)	5571	(24.78)
60 (1524)	<b>B54</b>	1730	(7.69)	995	(4.42)	2621	(11.66)	1107**	(4.92)	769**	(3.42)
	<b>B54A</b>	7734	(34.40)	2745	(12.21)	9514	(42.32)	5134	(22.84)	3566	(15.86)
72 (1829)	<b>B54</b>	1201	(5.34)	763	(3.39)	1820	(8.09)	769**	(3.42)	534**	(2.37)
	<b>B54A</b>	5571	(24.78)	2291	(10.19)	7992	(35.50)	3566	(15.86)	2476	(11.01)
84 (2133)	<b>B54</b>	883**	(3.93)	603	(2.68)	1337	(5.95)	565**	(2.51)	-	-
	<b>B54A</b>	4093	(18.20)	1913	(8.51)	6200	(27.58)	2620	(11.65)	1819**	(8.09)
96 (2438)	<b>B54</b>	676**	(3.01)	487	(2.16)	1024**	(4.55)	-	-	-	-
	<b>B54A</b>	3134	(13.94)	1616	(7.19)	4747	(21.11)	2006**	(8.92)	1393**	(6.19)
108 (2743)	<b>B54</b>	534**	(2.37)	401	(1.78)	809**	(3.60)	-	-	-	-
	<b>B54A</b>	2476	(11.01)	1380	(6.14)	3751	(16.68)	1585**	(7.05)	1100**	(4.89)
120 (3048)	<b>B54</b>	-	-	336	(1.49)	655**	(2.91)	-	-	-	-
	<b>B54A</b>	2006**	(8.92)	1190	(5.29)	3038	(13.51)	1284**	(5.71)	-	-

\*\*Where the slenderness ratio  $\frac{KL}{r}$  exceeds 200, and K = end fixity factor, L = actual length and r = radius of gyration.

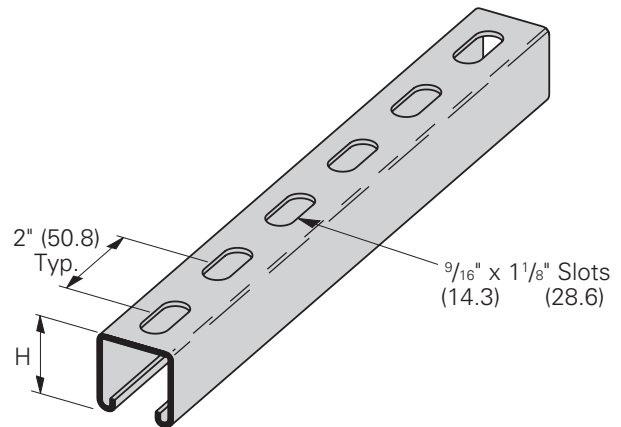
Reference page 48 for general fitting and standard finish specifications.

# Channel hole patterns

## B11SH thru B56SH SH Type Channel

- For beam loads use 90% of Channel Loading Chart

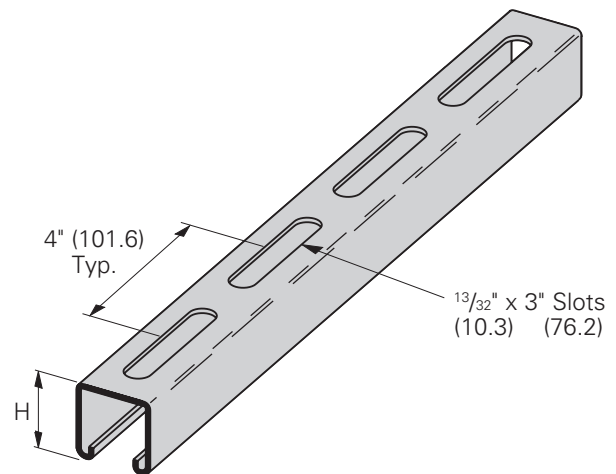
Part No.	Thickness	Height H		Weight	
		In.	mm	Lbs./Ft.	kg/m
<b>B11SH</b>	12 Ga. (2.6)	3 <sup>1</sup> / <sub>4</sub> "	(82.5)	2.97	(4.42)
<b>B12SH</b>	12 Ga. (2.6)	2 <sup>7</sup> / <sub>16</sub> "	(61.9)	2.39	(3.55)
<b>B22SH</b>	12 Ga. (2.6)	1 <sup>5</sup> / <sub>8</sub> "	(41.3)	1.82	(2.71)
<b>B24SH</b>	14 Ga. (1.9)	1 <sup>5</sup> / <sub>8</sub> "	(41.3)	1.34	(1.99)
<b>B32SH</b>	12 Ga. (2.6)	1 <sup>3</sup> / <sub>8</sub> "	(34.9)	1.62	(2.41)
<b>B42SH</b>	12 Ga. (2.6)	1"	(25.4)	1.36	(2.02)
<b>B52SH</b>	12 Ga. (2.6)	1 <sup>3</sup> / <sub>16</sub> "	(20.6)	1.19	(1.77)
<b>B54SH</b>	14 Ga. (1.9)	1 <sup>3</sup> / <sub>16</sub> "	(20.6)	.91	(1.35)



## B11S thru B56S S Type Channel

- For beam loads use 90% of Channel Loading Chart

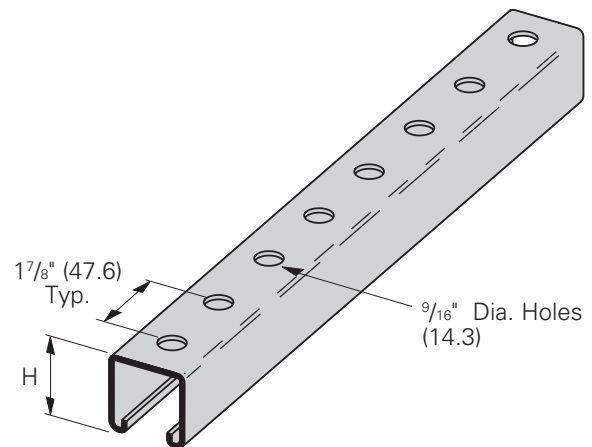
Part No.	Thickness	Height H		Weight	
		In.	mm	Lbs./Ft.	kg/m
<b>B11S</b>	12 Ga. (2.6)	3 <sup>1</sup> / <sub>4</sub> "	(82.5)	2.94	(4.37)
<b>B12S</b>	12 Ga. (2.6)	2 <sup>7</sup> / <sub>16</sub> "	(61.9)	2.36	(3.51)
<b>B22S</b>	12 Ga. (2.6)	1 <sup>5</sup> / <sub>8</sub> "	(41.3)	1.79	(2.66)
<b>B24S</b>	14 Ga. (1.9)	1 <sup>5</sup> / <sub>8</sub> "	(41.3)	1.32	(1.96)
<b>B32S</b>	12 Ga. (2.6)	1 <sup>3</sup> / <sub>8</sub> "	(34.9)	1.59	(2.36)
<b>B42S</b>	12 Ga. (2.6)	1"	(25.4)	1.33	(1.98)
<b>B52S</b>	12 Ga. (2.6)	1 <sup>3</sup> / <sub>16</sub> "	(20.6)	1.16	(1.72)
<b>B54S</b>	14 Ga. (1.9)	1 <sup>3</sup> / <sub>16</sub> "	(20.6)	.89	(1.32)



## B11H17/8 thru B56H17/8 H17/8 Type Channel

- For beam loads use 90% of Channel Loading Chart

Part No.	Thickness	Height H		Weight	
		In.	mm	Lbs./Ft.	kg/m
<b>B11H17/8</b>	12 Ga. (2.6)	3 <sup>1</sup> / <sub>4</sub> "	(82.5)	3.00	(4.46)
<b>B12H17/8</b>	12 Ga. (2.6)	2 <sup>7</sup> / <sub>16</sub> "	(61.9)	2.42	(3.60)
<b>B22H17/8</b>	12 Ga. (2.6)	1 <sup>5</sup> / <sub>8</sub> "	(41.3)	1.85	(2.75)
<b>B24H17/8</b>	14 Ga. (1.9)	1 <sup>5</sup> / <sub>8</sub> "	(41.3)	1.36	(2.02)
<b>B32H17/8</b>	12 Ga. (2.6)	1 <sup>3</sup> / <sub>8</sub> "	(34.9)	1.65	(2.45)
<b>B42H17/8</b>	12 Ga. (2.6)	1"	(25.4)	1.39	(2.07)
<b>B52H17/8</b>	12 Ga. (2.6)	1 <sup>3</sup> / <sub>16</sub> "	(20.6)	1.22	(1.81)
<b>B54H17/8</b>	14 Ga. (1.9)	1 <sup>3</sup> / <sub>16</sub> "	(20.6)	.93	(1.38)



Reference page 48 for general fitting and standard finish specifications.

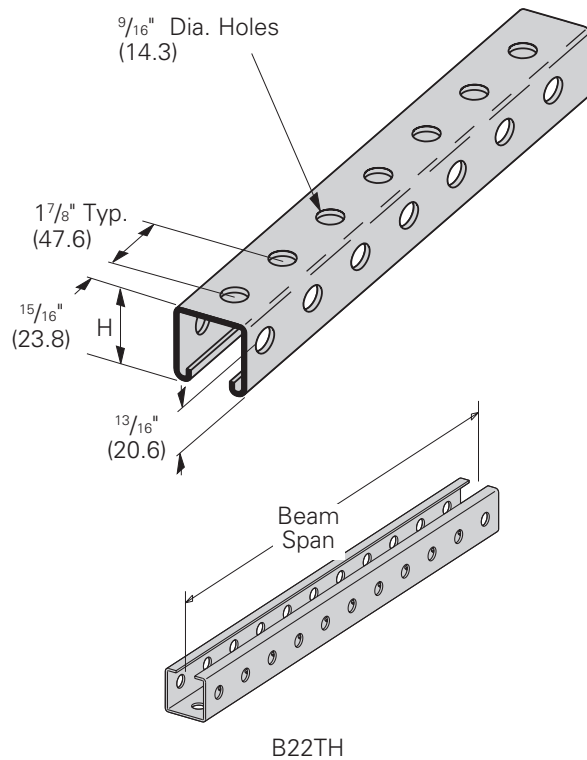
## B22TH TH Type Channel

- For beam loads use 90% of Channel Loading Chart

Part No.	Thickness	Height H In. mm	Weight Lbs./Ft. kg/m
B22TH	12 Ga.(2.6)	1 <sup>5</sup> / <sub>8</sub> " (41.3)	1.76 (2.62)

## Beam Loading Data B22TH

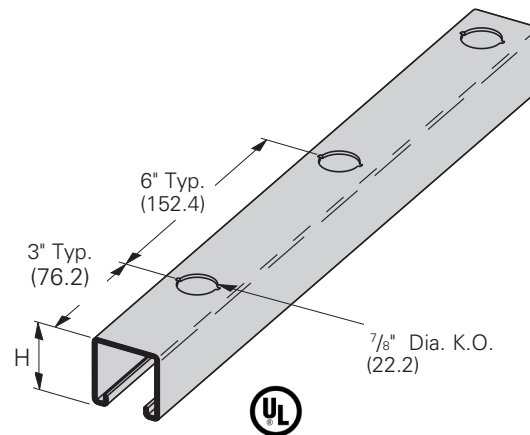
Beam Span in	Beam Load Data x-x Axis		
	Allowable Load lbs*	Resulting Deflection in	Allowable Load @ Deflection=1/240 Span Lbs. kN
12	2225	0.015	3225 (14.34)
24	1610	0.061	1610 (7.16)
36	1071	0.136	1071 (4.76)
48	800	0.243	658 (2.92)
60	637	0.379	417 (1.85)
72	528	0.546	286 (1.27)
84	449	0.743	206 (0.91)
96	390	0.970	153 (0.68)
108	344	1.228	116 (0.51)
120	306	1.516	90 (0.40)



## B11KO6 thru B56KO6 KO6 Type Knockout Channel

- For beam loads use 90% of Channel Loading Chart

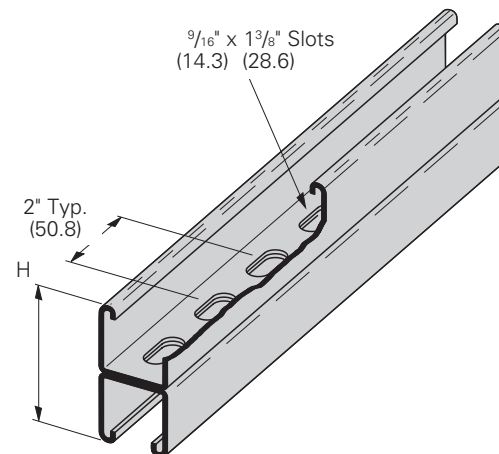
Part No.	Thickness	Height H In. mm	Weight Lbs./Ft. kg/m
B11KO6	12 Ga. (2.6)	3 <sup>1</sup> / <sub>4</sub> " (82.5)	3.05 (4.54)
B12KO6	12 Ga.(2.6)	2 <sup>7</sup> / <sub>16</sub> " (61.9)	2.47 (3.67)
B22KO6	12 Ga.(2.6)	1 <sup>5</sup> / <sub>8</sub> " (41.3)	1.90 (2.83)
B24KO6	14 Ga.(1.9)	1 <sup>5</sup> / <sub>8</sub> " (41.3)	1.40 (2.08)
B32KO6	12 Ga.(2.6)	1 <sup>3</sup> / <sub>8</sub> " (34.9)	1.70 (2.53)
B42KO6	12 Ga.(2.6)	1" (25.4)	1.44 (2.14)
B52KO6	12 Ga.(2.6)	1 <sup>3</sup> / <sub>16</sub> " (20.6)	1.27 (1.89)
B54KO6	14 Ga.(1.9)	1 <sup>3</sup> / <sub>16</sub> " (20.6)	.97 (1.44)



## B22SHA Back to Back SH Type Channel

- For beam loads use 90% of Channel Loading Chart

Part No.	Thickness	Height H In. mm	Weight Lbs./Ft. kg/m
B22SHA	12 Ga.(2.6)	3 <sup>1</sup> / <sub>4</sub> " (82.5)	3.64 (5.42)
B52SHA	12 Ga.(2.6)	1 <sup>5</sup> / <sub>8</sub> " (41.3)	2.38 (1.77)
B54SHA	14 Ga.(1.9)	1 <sup>5</sup> / <sub>8</sub> " (41.3)	1.82 (1.35)



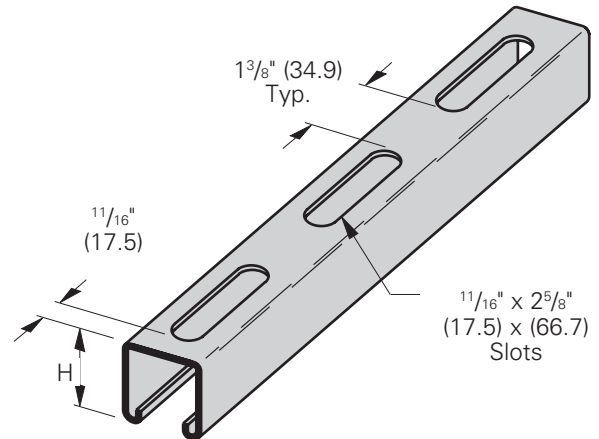
Reference page 48 for general fitting and standard finish specifications.

# Channel hole patterns

## B11S58 thru B56S58 S58 Type Channel

- For beam loads use 90% of Channel Loading Chart

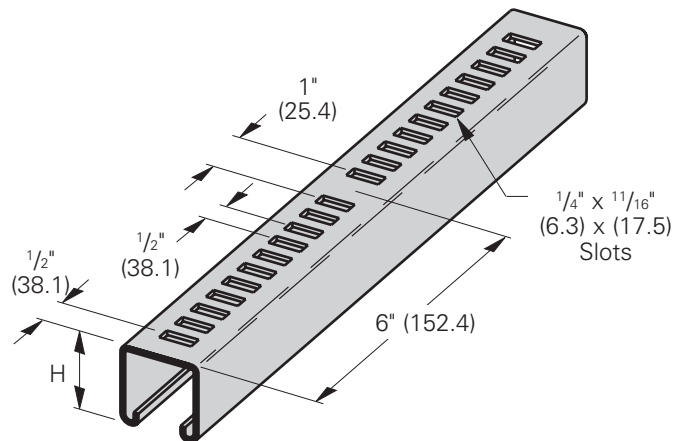
Part No.	Thickness	Height H		Weight	
		In.	mm	Lbs./Ft.	kg/m
<b>B11S58</b>	12 Ga. (2.6)	3 <sup>1</sup> / <sub>4</sub> "	(82.5)	2.94	(4.37)
<b>B12S58</b>	12 Ga. (2.6)	2 <sup>7</sup> / <sub>16</sub> "	(61.9)	2.36	(3.51)
<b>B22S58</b>	12 Ga. (2.6)	1 <sup>5</sup> / <sub>8</sub> "	(41.3)	1.79	(2.66)
<b>B24S58</b>	14 Ga. (1.9)	1 <sup>5</sup> / <sub>8</sub> "	(41.3)	1.32	(1.96)
<b>B32S58</b>	12 Ga. (2.6)	1 <sup>3</sup> / <sub>8</sub> "	(34.9)	1.59	(2.36)
<b>B42S58</b>	12 Ga. (2.6)	1"	(25.4)	1.33	(1.98)
<b>B52S58</b>	12 Ga. (2.6)	1 <sup>3</sup> / <sub>16</sub> "	(20.6)	1.16	(1.72)
<b>B54S58</b>	14 Ga. (1.9)	1 <sup>3</sup> / <sub>16</sub> "	(20.6)	.89	(1.32)



## B22M thru B54M M (Marine Rung) Type Channel

- For beam loads use 90% of Channel Loading Chart

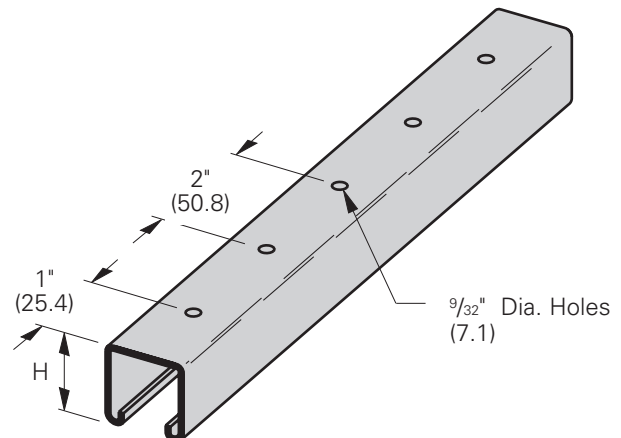
Part No.	Thickness	Height H		Weight	
		In.	mm	Lbs./Ft.	kg/m
<b>B22M</b>	12 Ga. (2.6)	1 <sup>5</sup> / <sub>8</sub> "	(41.3)	1.79	(2.66)
<b>B24M</b>	14 Ga. (1.9)	1 <sup>5</sup> / <sub>8</sub> "	(41.3)	1.32	(1.96)
<b>B32M</b>	12 Ga. (2.6)	1 <sup>3</sup> / <sub>8</sub> "	(34.9)	1.59	(2.36)
<b>B42M</b>	12 Ga. (2.6)	1"	(25.4)	1.33	(1.98)
<b>B44M</b>	14 Ga. (1.9)	1"	(25.4)	0.98	(1.46)
<b>B52M</b>	12 Ga. (2.6)	1 <sup>3</sup> / <sub>16</sub> "	(20.6)	1.16	(1.72)
<b>B54M</b>	14 Ga. (1.9)	1 <sup>3</sup> / <sub>16</sub> "	(20.6)	.89	(1.32)



## B22H25 thru B56H25 H25 Type Channel

- For beam loads use 90% of Channel Loading Chart

Part No.	Thickness	Height H		Weight	
		In.	mm	Lbs./Ft.	kg/m
<b>B22H25</b>	12 Ga. (2.6)	1 <sup>5</sup> / <sub>8</sub> "	(41.3)	1.85	(2.75)
<b>B24H25</b>	14 Ga. (1.9)	1 <sup>5</sup> / <sub>8</sub> "	(41.3)	1.36	(2.02)
<b>B32H25</b>	12 Ga. (2.6)	1 <sup>3</sup> / <sub>8</sub> "	(34.9)	1.65	(2.45)
<b>B42H25</b>	12 Ga. (2.6)	1"	(25.4)	1.39	(2.07)
<b>B52H25</b>	12 Ga. (2.6)	1 <sup>3</sup> / <sub>16</sub> "	(20.6)	1.22	(1.81)
<b>B54H25</b>	14 Ga. (1.9)	1 <sup>3</sup> / <sub>16</sub> "	(20.6)	.93	(1.38)

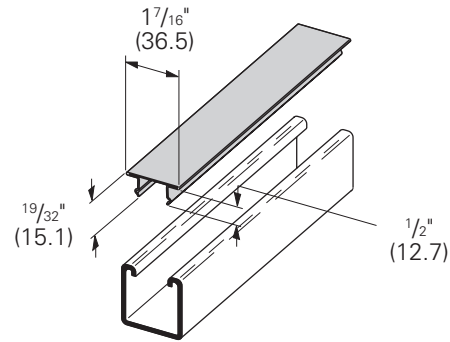


Reference page 48 for general fitting and standard finish specifications.



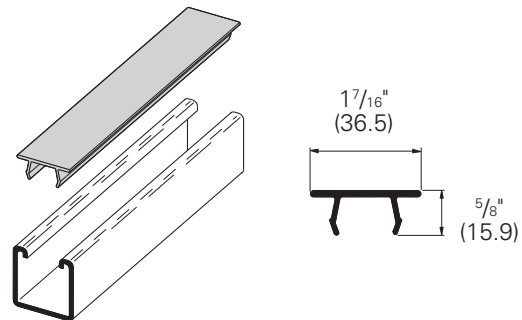
## B217-20 Snap Closure Strip for All 1<sup>5</sup>/<sub>8</sub>" (41.3) Wide Channels

- Refer to Raceway Fill Chart pages 278-279
- Material: 20 Gauge (.9)
- Standard finishes: GRN, GALV, YZN
- Standard length: 120" (3.05m)
- Wt./CFT 36 Lbs. (16.3 kg)



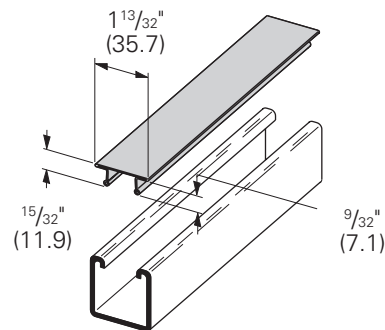
## B217P Plastic Snap Closure Strip for All 1<sup>5</sup>/<sub>8</sub>" (41.3) Wide Channels

- Refer to Raceway Fill Chart pages 278-279
- Standard finishes: Green (GRN) or Gray (GRY) Plastic
- Standard length: 120" (3.05m)
- Wt./CFT 9.2 Lbs. (4.2 kg)



## B217-24 Snap Closure Strip for All 1<sup>5</sup>/<sub>8</sub>" (41.3) Wide Channels

- Refer to Raceway Fill Chart pages 278-279
- For use with 7 or fewer conductors no larger than #12 AWG
- Material: 24 Gauge (.6)
- Standard finishes: GRN, GALV, YZN
- Standard length: 120" (3.05m)
- Wt./CFT 28 Lbs. (12.7 kg)



## Touch Up Paint

- Used to touch up cut ends of channel
- Standard colors: Green for DURA GREEN™ & B999 for Zinc/Galv
- Weight: 12.5 ounce cans

Part No.	Description	Box Qty.
<b>B999</b>	Zinc/Galv color	1
<b>940-674A</b>	Dura-Green color	1



B999



940-674A

Reference page 48 for general fitting and standard finish specifications.

# Channel nuts & hardware



## Channel Nuts

Channel nuts are one of the main components of our strut system. It is designed to provide essential gripping power and ease during installation. Channel nuts are press formed, machined and hardened from steel which meets the requirements of ASTM A108 or ASTM A36 for our larger sizes.

## Bolts, Screws, and Nuts

All bolts, screws and nuts meet the physical and chemical requirements of ASTM A307, SAE J429 or ASTM A563, and have unified inch screw threads (coarse, UNC). ISO metric threads are also available on special request.

## Recommended Torque

Bolt Size	1/4"-20	5/16"-18	3/8"-16	1/2"-13
Foot/Lbs.	6	11	19	50
Nm	8	15	26	68

Bolt Size	M6x1	M8 x1.25	M10 x 1.5	M12x1.75
Nm	12	17	36	62
Foot/Lbs.	9	13	27	46

## Materials & Finishes\*

\*Unless otherwise Noted. Refer to the product page for materials and finishes available by catalog number.

**Note:** Channel nuts are not available in HDG, Aluminum, or Stainless Steel Type 304

Finish Code	Finish	Specification
PLN	Plain	ASTM A108/A307 Gr. A, ASTM A563, SAE J429
ZN	Electro-Plated Zinc	ASTM B633 SC1 Type III
CZ	Chromium Zinc	ASTM F1136 Gr. 3
HDG	Hot-Dipped Galvanized	ASTM A153
SS6	Stainless Steel Type 316	MPIF 35/ASTM F593
AL	Aluminum	ASTM F468 S4

## Metric

Metric dimensions are shown in parentheses. Unless Noted, all metric dimensions are in millimeters.

**Note:** Channel nuts and hardware are sold in full box quantities.

## Standard Channel Nuts

Numbering Example:

**N 7 25 - (\*) WO**

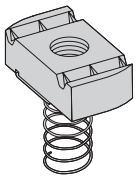
Nut Type	Channel Type	Thread Size	Stud Length	Suffix
N = Standard Nut	7 = Tall Channels	21 = #8-32	* = Specify Length of stud below for Stud Nut or Twirl Stud Nuts	WO = Without Spring
TN = Twirl-Nut™	B11	22 = #10-24	$\frac{3}{4}$ = $\frac{3}{4}$ "	___ = Twirl-Nut or nuts with springs have blank suffix
SN = Stud Nut	B12	27 = #10-32	1 = 1"	
STN = Stud Twirl-Nut	2 = Medium Channels	24 = $\frac{1}{4}$ "-20	$1\frac{1}{4}$ = $1\frac{1}{4}$ "	
NW = Combo Nut Washer	B22	23 = $\frac{5}{16}$ "-18	$1\frac{1}{2}$ = $1\frac{1}{2}$ "	
	B24	28 = $\frac{3}{8}$ "-16		
	B32	26 = $\frac{7}{16}$ "-14		
	5 = Short Channels	25 = $\frac{1}{2}$ "-13		
	B42	55 = $\frac{5}{8}$ "-11		
	B52	75 = $\frac{3}{4}$ "-10		
	B54	78 = $\frac{7}{8}$ "-9		

## Metric Channel Nuts

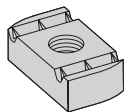
Numbering Example:

**BMS - 6 M**

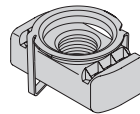
Nut Type	Metric Thread Size	Suffix
BMS = Spring Nut	3 = M3.5	S = Short Spring
BMS-D = Spring Nut ( $\frac{1}{2}$ " thick)	4 = M4	M = Medium Spring
BMT = Twirl-Nut	5 = M5	L = Long Spring
BMT-D = Twirl-Nut ( $\frac{1}{2}$ " thick)	6 = M6	___ = Twirl-Nut and nuts without springs have blank suffix
BMM = Spring Nut (Mini channel)	8 = M8	
	10 = M10	
	12 = M12	



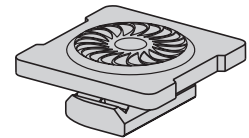
Spring Nut



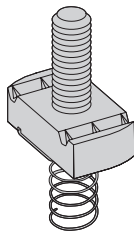
Nut without Spring



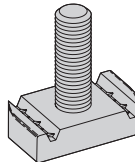
Twirl-Nut



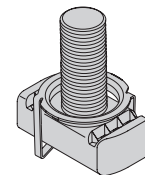
Combo Nut Washer



Stud Nut with Spring

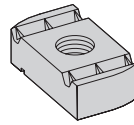


Stud Nut without Spring



Twirl Stud Nut

Reference page 78 for general fitting and standard finish specifications.



**Note:** See page 84 for resistance to slip & page 85 for pull-out strength. Channel nuts and hardware are sold in full box quantities.

## Nut Without Spring

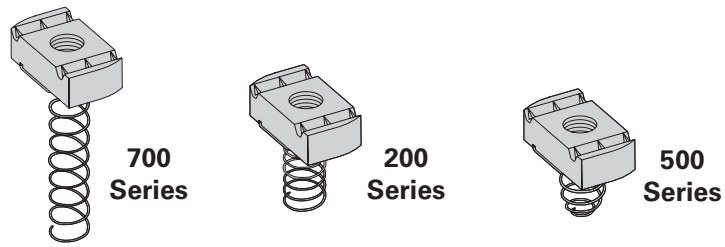
Part No.	Thread Size	Fits Channel Sizes	Nut Thickness		Wt./C	
			In.	mm	Lbs.	kg
<b>N221WO</b>	#8-32	All sizes except B62 & B72	1/4"	(6.3)	7.0	(3.17)
<b>N227WO</b>	#10-32	All sizes except B62 & B72	1/4"	(6.3)	7.0	(3.17)
<b>N222WO</b>	#10-24	All sizes except B62 & B72	1/4"	(6.3)	7.0	(3.17)
<b>N224WO</b>	1/4-20	All sizes except B62 & B72	1/4"	(6.3)	6.7	(3.04)
<b>N223WO</b>	5/16-18	All sizes except B62 & B72	1/4"	(6.3)	6.7	(3.04)
<b>N228WO</b>	3/8-16	All sizes except B62 & B72	3/8"	(9.5)	9.3	(4.22)
<b>N226WO</b>	7/16-14	All sizes except B62 & B72	3/8"	(9.5)	8.8	(3.99)
<b>N225WO</b>	1/2-13	B11, B12, B22, B24, B32	1/2"	(12.7)	11.6	(5.26)
<b>N525WO</b>	1/2-13	B42, B52, B54	3/8"	(9.5)	8.8	(3.99)
<b>N255WO</b>	5/8-11	B11, B12, B22, B24, B32	1/2"	(12.7)	16.4	(7.44)
<b>N555WO</b>	5/8-11	B42, B52, B54	3/8"	(9.5)	10.2	(4.62)
<b>N275WO</b>	3/4-10	B11, B12, B22, B24, B32	1/2"	(12.7)	14.5	(6.58)
<b>N575WO</b>	3/4-10	B42, B52, B54	3/8"	(9.5)	8.8	(3.99)
<b>N278WO</b>	7/8-9	B11, B12, B22, B24, B32	1/2"	(12.7)	12.5	(5.67)

## Metric Threads

<b>BMS-6</b>	M6 x 1	All sizes except B62 & B72	1/4"	(6.3)	6.9	(3.13)
<b>BMS-8</b>	M8 x 1.25	All sizes except B62 & B72	1/4"	(6.3)	6.7	(3.04)
<b>BMS-10</b>	M10 x 1.5	All sizes except B62 & B72	3/8"	(9.5)	9.6	(4.35)
<b>BMS-12</b>	M12 x 1.75	All sizes except B62 & B72	3/8"	(9.5)	9.2	(4.17)
<b>BMS-D-12</b>	M12 x 1.75	B11, B12, B22, B24, B32	1/2"	(12.7)	12.2	(5.53)

**Note:** For mini channel nut information see page 245.

Note: See page 84 for resistance to slip & page 85 for pull-out strength.  
Channel nuts and hardware are sold in full box quantities.



## Spring Nut

Part No.	Thread Size	Fits Channel Sizes	Nut Thickness		Wt./C	
			In.	mm	Lbs.	kg
N721	#8-32	B11 & B12	1/4"	(6.3)	7.0	(3.17)
N221	#8-32	B22, B24, B32	1/4"	(6.3)	7.0	(3.17)
N521	#8-32	B42, B52, B54	1/4"	(6.3)	7.0	(3.17)
N727	#10-32	B11 & B12	1/4"	(6.3)	7.0	(3.17)
N227	#10-32	B22, B24, B32	1/4"	(6.3)	7.0	(3.17)
N527	#10-32	B42, B52, B54	1/4"	(6.3)	7.0	(3.17)
N722	#10-24	B11 & B12	1/4"	(6.3)	7.0	(3.17)
N222	#10-24	B22, B24, B32	1/4"	(6.3)	7.0	(3.17)
N522	#10-24	B42, B52, B54	1/4"	(6.3)	7.0	(3.17)
N724	1/4-20	B11 & B12	1/4"	(6.3)	6.7	(3.04)
N224	1/4-20	B22, B24, B32	1/4"	(6.3)	6.7	(3.04)
N524	1/4-20	B42, B52, B54	1/4"	(6.3)	6.7	(3.04)
N723	5/16-18	B11 & B12	1/4"	(6.3)	6.7	(3.04)
N223	5/16-18	B22, B24, B32	1/4"	(6.3)	6.7	(3.04)
N523	5/16-18	B42, B52, B54	1/4"	(6.3)	6.7	(3.04)
N728	3/8-16	B11 & B12	3/8"	(9.5)	9.3	(4.22)
N228	3/8-16	B22, B24, B32	3/8"	(9.5)	9.3	(4.22)
N528	3/8-16	B42, B52, B54	3/8"	(9.5)	9.3	(4.22)
N726	7/16-14	B11 & B12	3/8"	(9.5)	8.8	(3.99)
N226	7/16-14	B22, B24, B32	3/8"	(9.5)	8.8	(3.99)
N526	7/16-14	B42, B52, B54	3/8"	(9.5)	8.8	(3.99)
N725	1/2-13	B11 & B12	1/2"	(12.7)	11.6	(5.26)
N225	1/2-13	B22, B24, B32	1/2"	(12.7)	11.6	(5.26)
N525	1/2-13	B42, B52, B54	3/8"	(9.5)	8.8	(3.99)
N755	5/8-11	B11 & B12	1/2"	(12.7)	16.4	(7.44)
N255	5/8-11	B22, B24, B32	1/2"	(12.7)	16.4	(7.44)
N555	5/8-11	B42, B52, B54	3/8"	(9.5)	10.2	(4.62)
N775	3/4-10	B11 & B12	1/2"	(12.7)	14.5	(6.58)
N275	3/4-10	B22, B24, B32	1/2"	(12.7)	14.5	(6.58)
N575	3/4-10	B42, B52, B54	3/8"	(9.5)	8.8	(3.99)
N778	7/8-9	B11 & B12	1/2"	(12.7)	12.5	(5.67)
N278	7/8-9	B22, B24, B32	1/2"	(12.7)	12.5	(5.67)

## Metric Threads

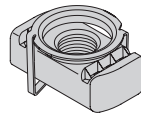
BMS-6L	M6 x 1	B11 & B12	1/4"	(6.3)	6.9	(3.13)
BMS-6M	M6 x 1	B22, B24, B32	1/4"	(6.3)	6.9	(3.13)
BMS-6S	M6 x 1	B42, B52, B54	1/4"	(6.3)	6.9	(3.13)
BMS-8L	M8 x 1.25	B11 & B12	1/4"	(6.3)	6.7	(3.04)
BMS-8M	M8 x 1.25	B22, B24, B32	1/4"	(6.3)	6.7	(3.04)
BMS-8S	M8 x 1.25	B42, B52, B54	1/4"	(6.3)	6.7	(3.04)
BMS-10L	M10 x 1.5	B11 & B12	3/8"	(9.5)	9.6	(4.35)
BMS-10M	M10 x 1.5	B22, B24, B32	3/8"	(9.5)	9.6	(4.35)
BMS-10S	M10 x 1.5	B42, B52, B54	3/8"	(9.5)	9.6	(4.35)
BMS-12M	M12 x 1.75	B22, B24, B32	3/8"	(9.5)	9.2	(4.17)
BMS-12S	M12 x 1.75	B42, B52, B54	3/8"	(9.5)	9.2	(4.17)
BMS-D-12L	M12 x 1.75	B11 & B12	1/2"	(12.7)	12.2	(5.53)
BMS-D-12M	M12 x 1.75	B22, B24, B32	1/2"	(12.7)	12.2	(5.53)

Note: For mini channel nut information see page 245.

Reference page 78 for general fitting and standard finish specifications.



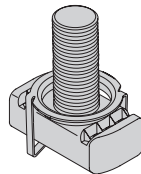
# Channel nuts



**Note:** See page 84 for resistance to slip & page 85 for pull-out strength. Channel nuts and hardware are sold in full box quantities.

## Twirl-Nut

Part No.	Thread Size	Fits Channel Sizes	Nut Thickness		Wt./C		
			In.	mm	Lbs.	kg	
<b>TN221</b>	#8-32	All sizes except B62 & B72	1/4"	(6.3)	7.0	(3.17)	
<b>TN227</b>	#10-32	All sizes except B62 & B72	1/4"	(6.3)	7.0	(3.17)	
<b>TN222</b>	#10-24	All sizes except B62 & B72	1/4"	(6.3)	7.0	(3.17)	
<b>TN224</b>	1/4-20	All sizes except B62 & B72	1/4"	(6.3)	6.7	(3.04)	
<b>TN223</b>	5/16-18	All sizes except B62 & B72	1/4"	(6.3)	6.7	(3.04)	
<b>TN228</b>	3/8-16	All sizes except B62 & B72	3/8"	(9.5)	9.3	(4.22)	
<b>TN226</b>	7/16-14	All sizes except B62 & B72	3/8"	(9.5)	8.8	(3.99)	
<b>TN225</b>	1/2-13	B11, B12, B22, B24, B32	1/2"	(12.7)	11.6	(5.26)	
<b>TN525</b>	1/2-13	B42, B52, B54	3/8"	(9.5)	8.8	(3.99)	
<b>TN255</b>	5/8-11	B11, B12, B22, B24, B32	1/2"	(12.7)	11.0	(4.99)	
<b>Metric Threads</b>	<b>BMT-6</b>	M6 x 1	All sizes except B62 & B72	1/4"	(6.3)	6.9	(3.13)
	<b>BMT-8</b>	M8 x 1.25	All sizes except B62 & B72	1/4"	(6.3)	6.7	(3.04)
	<b>BMT-10</b>	M10 x 1.5	All sizes except B62 & B72	3/8"	(9.5)	9.6	(4.35)
	<b>BMT-12</b>	M12 x 1.75	All sizes except B62 & B72	3/8"	(9.5)	9.2	(4.17)
	<b>BMT-D-12</b>	M12 x 1.75	B11, B12, B22, B24, B32	1/2"	(12.7)	12.2	(5.53)



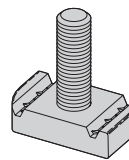
**Note:** See page 84 for resistance to slip & page 85 for pull-out strength. Channel nuts and hardware are sold in full box quantities.

## Twirl Stud Nut

Part No.	Thread Size	Fits Channel Sizes	Nut Thickness		Wt./C	
			In.	mm	Lbs.	kg
<b>STN224-*</b>	1/4-20	All sizes except B62 & B72	1/4"	(6.3)	8.1	(3.66)
<b>STN228-*</b>	3/8-16	All sizes except B62 & B72	3/8"	(9.5)	12.9	(5.85)
<b>STN225-*</b>	1/2-13	B11, B12, B22, B24, B32	1/2"	(12.7)	18.2	(8.23)
<b>STN525-*</b>	1/2-13	B42, B52, B54	3/8"	(9.5)	15.4	(6.96)

\*Note: Add stud length in inches (3/4, 1, 1 1/4, 1 1/2)

**Note:** See page 84 for resistance to slip & page 85 for pull-out strength. Channel nuts and hardware are sold in full box quantities.



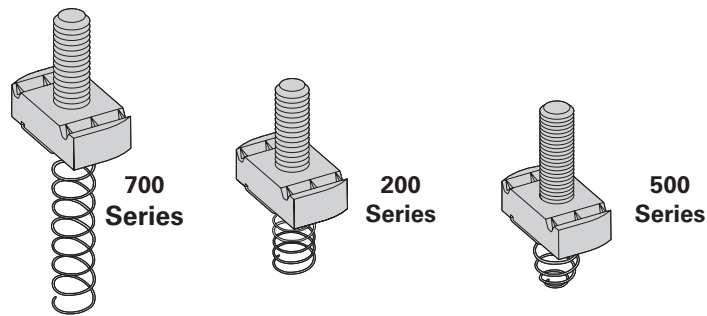
## Stud Nut Without Spring

Part No.	Thread Size	Fits Channel Sizes	Nut Thickness		Wt./C	
			In.	mm	Lbs.	kg
<b>SN224-*WO</b>	1/4-20	All sizes except B62 & B72	1/4"	(6.3)	8.1	(3.66)
<b>SN228-*WO</b>	3/8-16	All sizes except B62 & B72	3/8"	(9.5)	12.9	(5.85)
<b>SN225-*WO</b>	1/2-13	B11, B12, B22, B24, B32	1/2"	(12.7)	18.2	(8.23)
<b>SN525-*WO</b>	1/2-13	B42, B52, B54	3/8"	(9.5)	15.4	(6.96)

\*Note: Add stud length in inches (3/4, 1, 1 1/4, 1 1/2)

Reference page 78 for general fitting and standard finish specifications.

Note: See page 84 for resistance to slip & page 85 for pull-out strength. Channel nuts and hardware are sold in full box quantities.



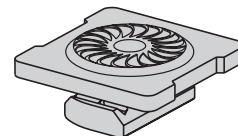
## Stud Nut With Spring

Part No.	Thread Size	Fits Channel Sizes	Nut Thickness		Wt./C	
			In.	mm	Lbs.	kg
<b>SN724-*</b>	1/4-20	B11 & B12	1/4"	(6.3)	8.1	(3.66)
<b>SN224-*</b>	1/4-20	B22, B24, B32	1/4"	(6.3)	8.1	(3.66)
<b>SN524-*</b>	1/4-20	B42, B52, B54	1/4"	(6.3)	8.1	(3.66)
<b>SN728-*</b>	3/8-16	B11 & B12	3/8"	(9.5)	12.9	(5.85)
<b>SN228-*</b>	3/8-16	B22, B24, B32	3/8"	(9.5)	12.9	(5.85)
<b>SN528-*</b>	3/8-16	B42, B52, B54	3/8"	(9.5)	12.9	(5.85)
<b>SN725-*</b>	1/2-13	B11 & B12	1/2"	(12.7)	18.2	(8.23)
<b>SN225-*</b>	1/2-13	B22, B24, B32	1/2"	(12.7)	18.2	(8.23)
<b>SN525-*</b>	1/2-13	B42, B52, B54	3/8"	(9.5)	15.4	(6.96)

\*Note: Add stud length in inches (3/4, 1, 1 1/4, 1 1/2)

- Finish: Electrodeposited zinc ASTM B633 SC1
- Available in 316 stainless steel - add SS6 to part number
- To lock combo nut washer in place a hex nut (sold separately) is required

Note: See page 84 for resistance to slip & page 85 for pull-out strength. Channel nuts and hardware are sold in full box quantities.



Patent Number  
7,604,444

## Combo Nut Washer

Part No.	Thread Size	Fits Channel Sizes	Nut Thickness		Wt./C	
			In.	mm	Lbs.	kg
<b>NW524</b>	1/4-20	All Channel Sizes	1/4"	(6.3)	11.9	(5.40)
<b>NW528</b>	3/8-16	All Channel Sizes	3/8"	(9.5)	13.8	(6.26)
<b>NW525</b>	1/2-13	All Channel Sizes	3/8"	(9.5)	13.1	(5.94)
<b>NWM6</b>	M6	All Channel Sizes	1/4"	(6.3)	16.6	(7.50)
<b>NWM8</b>	M8	All Channel Sizes	1/4"	(6.3)	15.4	(7.00)
<b>NWM10</b>	M10	All Channel Sizes	3/8"	(9.5)	18.9	(8.57)
<b>NWM12</b>	M12	All Channel Sizes	3/8"	(9.5)	17.7	(8.00)

Reference page 78 for general fitting and standard finish specifications.

# Channel nuts

## Resistance To Slip

- With Safety Factor of 3

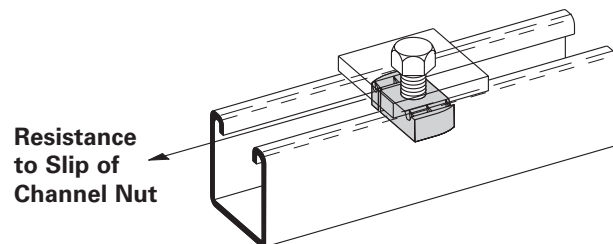
Thread Size	Nut Part Numbers	Resistance to Slip			
		12 ga. Channel		14 ga. Channel	
		Lbs.	N	Lbs.	N
#8-32	N221, N221WO, N521, N721, TN221	50	220	50	220
#10-24	N222, N222WO, N522, N722, TN222	100	440	100	440
#10-32	N227, N227WO, N527, N727, TN227	100	440	100	440
1/4"-20	NW524*, N224, N224WO, N524, N724, TN224, STN224, SN224WO, SN224, SN524, SN724	300	1330	300	1330
5/16"-18	N223, N223WO, N523, N723, TN223	450	2000	450	2000
3/8"-16	NW528*, N228, N228WO, N528, N728, TN228, STN228, SN228WO, SN228, SN528, SN728	800	3560	600	2670
7/16"-14	N226, N226WO, N526, N726, TN226	1000	4450	800	3560
	N225, N225WO, N725, TN225, STN225, SN225WO, SN225, SN725	1500	6670	1000	4450
1/2"-13	NW525*, N525, N525WO, TN525, STN525, SN525WO, SN525	1500	6670	1000	4450
5/8"-11	N255, N255WO, N755, TN255	1500	6670	1000	4450
	N555, N555WO	1500	6670	1000	4450
3/4"-10	N275, N275WO, N775	1500	6670	1000	4450
	N575, N575WO	1500	6670	1000	4450
7/8"-9	N278, N278WO, N778	1500	6670	1000	4450
M6 x 1	BMS-6, BMS-6L, BMS-6M, BMS-6S, BMT-6	300	1330	300	1330
M8 x 1.25	BMS-8, BMS-8L, BMS-8M, BMS-8S, BMT-8	450	2000	450	2000
M10 x 1.50	BMS-10, BMS-10L, BMS-10M, BMS-10S, BMT-10	800	3560	600	2760
M12 x 1.75	BMS-D-12, BMS-D-12L, BMS-D-12M, BMT-D-12	1500	6670	1000	4450
	BMS-12, BMS-12M, BMS-12S, BMT-12	1500	6670	1000	4450

Metric Threads

\* Combo Nut Washer (see page 83)

**Note:**

Using stainless steel channel nuts in stainless steel channel, reduce slip loads by 50% due to hardness of material. Using stainless steel channel nuts in aluminum channel, reduce slip loads by 70% due to hardness of material.



**Note:** For mini channel nut information see page 245.

Reference page 78 for general fitting and standard finish specifications.

## Pull-Out Strength

- With Safety Factor of 3
- Maximum pullout strength for B11 & B12 channels is limited to 1500 lbs. (6670 N).

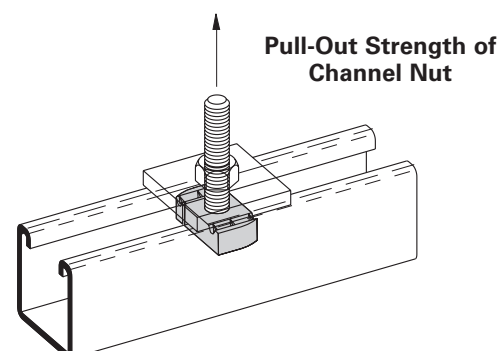
Thread Size	Nut Part Numbers	Pull-Out Strength			
		12 ga. Channel		14 ga. Channel	
		Lbs.	N	Lbs.	N
#8-32	N221, N221WO, N521, N721, TN221	200	890	200	890
#10-24	N222, N222WO, N522, N722, TN222	250	1110	250	1110
#10-32	N227, N227WO, N527, N727, TN227	250	1110	250	1110
1/4"-20	NW524*, N224, N224WO, N524, N724, TN224, STN224, SN224WO, SN224, SN524, SN724	450	2000	450	2000
5/16"-18	N223, N223WO, N523, N723, TN223	750	3330	750	3330
3/8"-16	NW528*, N228, N228WO, N528, N728, TN228, STN228, SN228WO, SN228, SN528, SN728	1100	4890	1000	4450
7/16"-14	N226, N226WO, N526, N726, TN226	1500	6670	1200	5340
1/2"-13	N225, N225WO, N725, TN225, STN225, SN225WO, SN225, SN725	2000	8900	1400	6230
	NW525*, N525, N525WO, TN525, STN525, SN525WO, SN525	1500	6670	1400	6230
5/8"-11	N255, N255WO, N755, TN255	2000	8900	1400	6230
	N555, N555WO	1500	6670	1400	6230
3/4"-10	N275, N275WO, N775	2000	8900	1400	6230
	N575, N575WO	1500	6670	1400	6230
7/8"-9	N278, N278WO, N778	1500	6670	1400	6230
M6 x 1	BMS-6, BMS-6L, BMS-6M, BMS-6S, BMT-6	450	2000	450	2000
M8 x 1.25	BMS-8, BMS-8L, BMS-8M, BMS-8S, BMT-8	750	3330	750	3330
M10 x 1.50	BMS-10, BMS-10L, BMS-10M, BMS-10S, BMT-10	1100	4890	1000	4450
M12 x 1.75	BMS-D-12, BMS-D-12L, BMS-D-12M, BMT-D-12	2000	8900	1400	6230
	BMS-12, BMS-12M, BMS-12S, BMT-12	1500	6670	1400	6230

Metric Threads

\* Combo Nut Washer (see page 83)

### Note:

Using stainless steel channel nuts in stainless steel channel, use pull-out loads as shown above.  
Using stainless steel channel nuts in aluminum channel, reduce pull-out loads by 70% due to hardness of material.

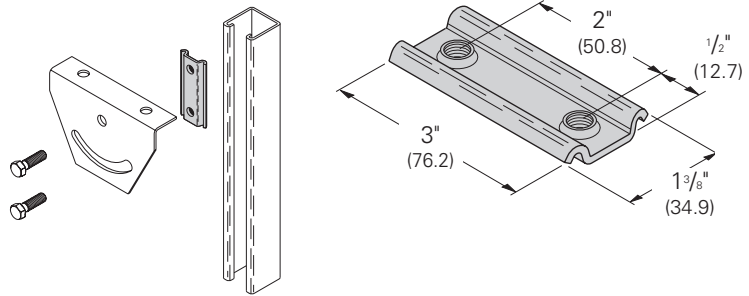


**Note:** For mini channel nut information see page 245.

Reference page 78 for general fitting and standard finish specifications.

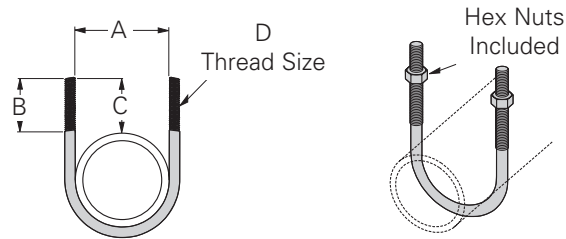
## DCN 3/8 Double Conveyor Nut

- Recommended torque - 19 ft./Lbs.
- Allowable slip loading - 700 Lbs.(3.11kN)
- Safety Factor of 3
- Material: ASTM 1011SS Gr. 33
- Finish: Electrodeposited zinc ASTM B633 SC1
- Strut ordered separately



## B501 Series U-Bolt

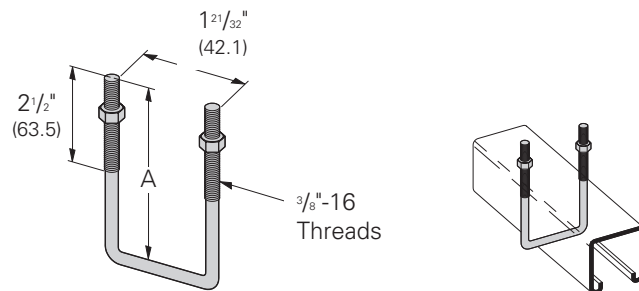
- Designed for use with Rigid Conduit or Iron Pipe
- Dimension "C" is dependent on the type of pipe or conduit supported and is a reference only



Part No.	A		B		C		D	Design Load		Wt./C	
	In.	mm	In.	mm	In.	mm		Lbs.	kN	Lbs.	kg
B501-1/2	15/16"	(23.8)	1 3/4"	(44.4)	1 1/2"	(38.1)	5/16"-18	600	(2.67)	12	(5.4)
B501-3/4	1 1/8"	(28.6)	1 3/4"	(44.4)	1 5/8"	(41.3)	5/16"-18	600	(2.67)	13	(5.9)
B501-1	1 3/8"	(29.9)	1 7/8"	(47.6)	1 5/8"	(41.3)	5/16"-18	900	(4.00)	14	(6.3)
B501-1 1/4	1 23/32"	(43.6)	1 3/4"	(44.4)	1 15/32"	(37.3)	5/16"-18	900	(4.00)	15	(6.8)
B501-1 1/2	2"	(50.8)	1 3/4"	(44.4)	1 7/16"	(36.5)	5/16"-18	900	(4.00)	16	(7.2)
B501-2	2 7/16"	(61.9)	2 1/16"	(52.4)	1 7/8"	(47.6)	3/8"-16	1200	(5.34)	27	(12.2)
B501-2 1/2	2 15/16"	(74.6)	2 1/16"	(52.4)	1 13/16"	(46.0)	3/8"-16	1200	(5.34)	32	(14.5)
B501-3	3 9/16"	(90.5)	2"	(50.8)	1 3/4"	(44.4)	3/8"-16	1800	(8.00)	36	(16.3)
B501-3 1/2	4 3/32"	(94.6)	2"	(50.8)	1 23/32"	(43.6)	3/8"-16	1800	(8.00)	38	(17.2)
B501-4	4 19/32"	(116.7)	2 1/4"	(57.1)	1 21/32"	(50.0)	3/8"-16	1800	(8.00)	42	(19.0)
B501-5	5 21/32"	(143.6)	2 1/4"	(57.1)	2"	(50.8)	1/2"-13	2400	(10.70)	92	(41.7)
B501-6	6 3/4"	(171.4)	2 5/8"	(66.7)	2 3/8"	(60.3)	5/8"-11	2400	(10.70)	176	(79.8)
B501-8	8 3/4"	(222.2)	2 5/8"	(66.7)	2 3/8"	(60.3)	5/8"-11	2400	(10.70)	191	(86.6)

## B500 Series Square U-Bolt

- Includes:
  - 1 pc. U-Bolt only
  - 2 pcs. 3/8"-16 Hex Nuts
- Additional sizes available
- Standard finish: ZN, SS4



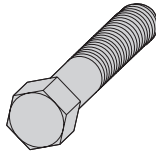
Part No.	A		Channel Size	Wt./C	
	Lbs.	kg		Lbs.	kg
B500-3-3/8	3 3/8"	(85.7)	1 5/8" x 1 5/8"	25	(11.3)
B500-5	5"	(127.0)	3 1/4" x 1 5/8"	33	(14.9)

Reference page 78 for general fitting and standard finish specifications.



**HHCS**  
**Hex Head Cap Screws**

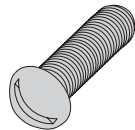
- Standard finish: Zinc-Plated, Stainless Steel
- Channel nuts and hardware are sold in full box quantities



Part No.	Wt./C	
	Lbs.	kg
1/4" x 1/2" HHCS	1.3	(.59)
1/4" x 3/4" HHCS	1.4	(.63)
1/4" x 1" HHCS	1.7	(.77)
1/4" x 1 1/4" HHCS	2.1	(.95)
1/4" x 1 1/2" HHCS	2.4	(1.09)
5/16" x 1" HHCS	2.8	(1.27)
5/16" x 1 1/4" HHCS	3.2	(1.45)
5/16" x 1 1/2" HHCS	3.8	(1.72)
3/8" x 3/4" HHCS	3.4	(1.54)
3/8" x 1" HHCS	4.1	(1.86)
3/8" x 1 1/4" HHCS	4.7	(2.13)
3/8" x 1 1/2" HHCS	5.2	(2.36)
3/8" x 1 3/4" HHCS	5.9	(2.67)
3/8" x 2" HHCS	7.0	(3.17)
3/8" x 2 1/4" HHCS	7.8	(3.54)
3/8" x 2 1/2" HHCS	8.5	(3.85)
1/2" x 7/8" HHCS	8.0	(3.63)
1/2" x 1" HHCS	8.4	(3.81)
1/2" x 1 1/4" HHCS	9.2	(4.17)
1/2" x 1 1/2" HHCS	10.1	(4.58)
1/2" x 1 3/4" HHCS	12.0	(5.44)
1/2" x 2" HHCS	13.2	(5.99)
1/2" x 2 1/2" HHCS	16.0	(7.26)

**SRHMS**  
**Slotted Round Head Machine Screws**

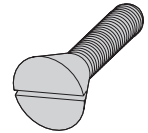
- Standard finish: Zinc-Plated
- Channel nuts and hardware are sold in full box quantities.



Part No.	Wt./C	
	Lbs.	kg
1/4" x 1/2" SRHMS	.9	(.41)
1/4" x 3/4" SRHMS	1.2	(.54)
1/4" x 1" SRHMS	1.5	(.68)
1/4" x 1 1/4" SRHMS	1.7	(.77)
1/4" x 1 1/2" SRHMS	1.9	(.86)
5/16" x 1" SRHMS	2.5	(1.13)
5/16" x 1 1/4" SRHMS	2.9	(1.31)
5/16" x 1 1/2" SRHMS	3.3	(1.49)
3/8" x 1" SRHMS	4.0	(1.81)
3/8" x 1 1/4" SRHMS	4.5	(2.04)
3/8" x 1 1/2" SRHMS	5.1	(2.31)
3/8" x 2" SRHMS	6.3	(2.86)
3/8" x 2 1/4" SRHMS	7.1	(3.22)
3/8" x 2 1/2" SRHMS	7.7	(3.49)

**SFHMS**  
**Slotted Flat Head Machine Screws**

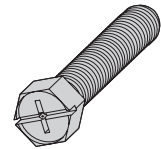
- Standard finish: Zinc-Plated
- Channel nuts and hardware are sold in full box quantities



Part No.	Wt./C	
	Lbs.	kg
1/4" x 1/2" SFHMS	1.1	(.50)
1/4" x 5/8" SFHMS	1.2	(.54)
1/4" x 3/4" SFHMS	1.4	(.63)
5/16" x 1" SFHMS	2.8	(1.27)
3/8" x 1 1/2" SFHMS	5.6	(2.54)
3/8" x 2" SFHMS	6.7	(3.04)
3/8" x 2 1/4" SFHMS	7.3	(3.31)
3/8" x 2 1/2" SFHMS	7.9	(3.58)
1/2" x 1" SFHMS	5.9	(2.67)
1/2" x 1 1/4" SFHMS	7.0	(3.17)
1/2" x 1 1/2" SFHMS	8.3	(3.76)
1/2" x 2 1/2" SFHMS	13.8	(6.26)

**SHHMS**  
**Slotted (Combination Recess) Hex Head Machine Screws**

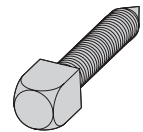
- Standard finish: Zinc-Plated, Stainless Steel
- Channel nuts and hardware are sold in full box quantities



Part No.	Wt./C	
	Lbs.	kg
1/4" x 3/4" SHHMS	1.2	(.54)
1/4" x 1" SHHMS	1.5	(.68)
1/4" x 1 1/4" SHHMS	1.8	(.80)
1/4" x 1 1/2" SHHMS	2.0	(.91)
5/16" x 1" SHHMS	2.6	(1.18)
5/16" x 1 1/4" SHHMS	3.1	(1.40)
5/16" x 1 1/2" SHHMS	3.4	(1.54)
3/8" x 1 1/4" SHHMS	4.6	(2.08)
3/8" x 1 1/2" SHHMS	5.3	(2.40)

**CNPSS**  
**Square Head Cone Point Set Screw**

- Standard finish: ZN
- Channel nuts and hardware are sold in full box quantities.

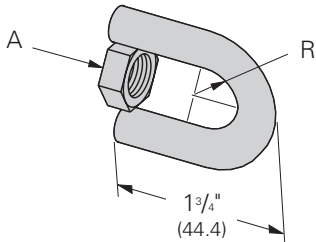


Part No.	Wt./C	
	Lbs.	kg
3/8" x 1 1/2" CNPSS	4.7	(2.13)
3/8" x 2" CNPSS	6.0	(2.72)
1/2" x 1 1/2" CNPSS	9.2	(4.17)
1/2" x 2" CNPSS	11.4	(5.17)
1/2" x 2 1/2" CNPSS	13.7	(6.21)
5/8" x 2" CNPSS	19.0	(8.62)
5/8" x 2 1/2" CNPSS	22.6	(10.25)

Reference page 78 for general fitting and standard finish specifications.

## B446A Swivel Hanger (Female Only)

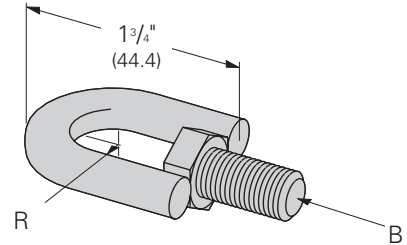
- Design Load:  
(<sup>3</sup>/<sub>8</sub>)-610 Lbs. (2.71 kN)  
(<sup>1</sup>/<sub>2</sub>)-1130 Lbs. (5.02 kN)
- Safety Factor of 3
- Standard finish: ZN



Part No.	A	R		Wt./C	
		In.	mm	Lbs.	kg
B446A- <sup>3</sup> / <sub>8</sub>	<sup>3</sup> / <sub>8</sub> "-16 HN	<sup>9</sup> / <sub>32</sub> "	(7.1)	13	(5.9)
B446A- <sup>1</sup> / <sub>2</sub>	<sup>1</sup> / <sub>2</sub> "-13 HN	<sup>3</sup> / <sub>8</sub> "	(9.5)	15	(6.8)

## B446B Swivel Hanger (Male Only)

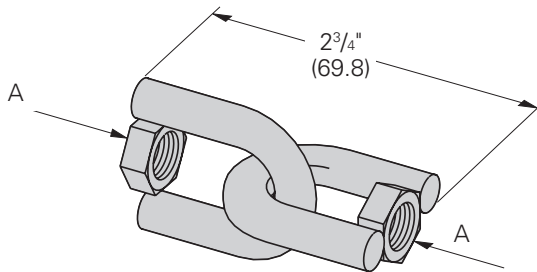
- Design Load:  
(<sup>3</sup>/<sub>8</sub>)-610 Lbs. (2.71 kN)  
(<sup>1</sup>/<sub>2</sub>)-1130 Lbs. (5.02 kN)
- Safety Factor of 3
- Standard finish: ZN



Part No.	A	R		Wt./C	
		In.	mm	Lbs.	kg
B446B- <sup>3</sup> / <sub>8</sub>	<sup>3</sup> / <sub>8</sub> "-16 HN	<sup>9</sup> / <sub>32</sub> "	(7.1)	16	(7.2)
B446B- <sup>1</sup> / <sub>2</sub>	<sup>1</sup> / <sub>2</sub> "-13 HN	<sup>3</sup> / <sub>8</sub> "	(9.5)	20	(9.1)

## B446C Swivel Hanger (Female-Female)

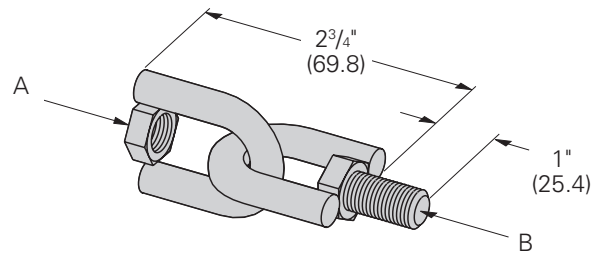
- Design Load:  
(<sup>3</sup>/<sub>8</sub>)-610 Lbs. (2.71 kN)  
(<sup>1</sup>/<sub>2</sub>)-1130 Lbs. (5.02 kN)
- Safety Factor of 3
- Standard finish: ZN



Part No.	A	Wt./C	
		Lbs.	kg
B446C- <sup>3</sup> / <sub>8</sub>	<sup>3</sup> / <sub>8</sub> "-16 HN	26	(11.8)
B446C- <sup>1</sup> / <sub>2</sub>	<sup>1</sup> / <sub>2</sub> "-13 HN	31	(14.0)

## B446 Swivel Hanger (Female-Male)

- Design Load:  
(<sup>3</sup>/<sub>8</sub>)-610 Lbs. (2.71 kN)  
(<sup>1</sup>/<sub>2</sub>)-1130 Lbs. (5.02 kN)
- Safety Factor of 3
- Standard finish: ZN



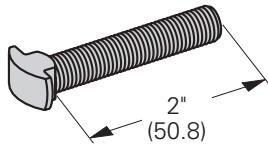
Part No.	A	B	Wt./C	
			Lbs.	kg
B446- <sup>3</sup> / <sub>8</sub>	<sup>3</sup> / <sub>8</sub> "-16 HN	<sup>3</sup> / <sub>8</sub> "-16 HHCS	28	(12.7)
B446- <sup>1</sup> / <sub>2</sub>	<sup>1</sup> / <sub>2</sub> "-13 HN	<sup>1</sup> / <sub>2</sub> "-13 HHCS	36	(16.3)

Reference page 78 for general fitting and standard finish specifications.

**B617  
Shoulder Bolt**

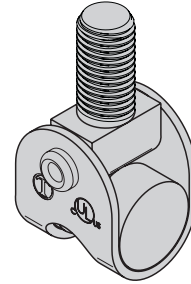
- Standard finish: ZN
- Wt./C 6 Lbs. (2.7 kg)

<sup>3</sup>/<sub>8</sub>"-16 Thread Size



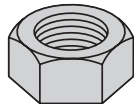
**Fig. 75  
Swivel Attachment**

- Standard finish: ZN
- Sized for <sup>3</sup>/<sub>8</sub>"-16 threaded rods
- UL Listed to support up to 4" Pipe per NFPA 13
- Wt./C 13 Lbs. (5.9 kg)



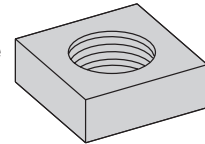
**HN  
Hex Nuts**

- Standard finish: Zinc-Plated, Stainless Steel
- Channel nuts and hardware are sold in full box quantities.



**MSQN  
Machine Square Nut**

- For use with B755 Beam Clamp
- Standard finish: Zinc-Plated
- Channel nuts and hardware are sold in full box quantities.

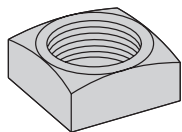


Part No.	Wt./C	
	Lbs.	kg
1/4" HN	.7	(.32)
5/16" HN	1.0	(.45)
3/8" HN	1.5	(.68)
1/2" HN	3.6	(1.63)
5/8" HN	7.2	(3.26)
3/4" HN	11.1	(5.03)
7/8" HN	17.9	(8.12)
1" HN	27.2	(12.34)

Part No.	Wt./C	
	Lbs.	kg
MSQN 1/4"	.6	(.27)
MSQN 5/16"	1.2	(.54)
MSQN 3/8"	1.8	(.81)

**SQN  
Square Nuts**

- Standard finish: Zinc-Plated
- Channel nuts and hardware are sold in full box quantities.



Part No.	Wt./C	
	Lbs.	kg
1/2" SQN	5.7	(2.58)
5/8" SQN	10.1	(4.58)

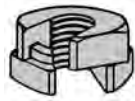
Reference page 78 for general fitting and standard finish specifications.

# Hardware

## SLN

### Slip on Lock Nut

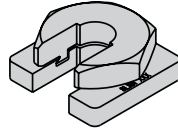
- Material: ASTM A307 Gr. A.
- Safety Factor of 3.
- Standard finish: Zinc-Plated
- Channel nuts and hardware are sold in full box quantities



Part No.	Thread Size	B		C		Recommended Load		Wt./C	
		In.	mm	In.	mm	Lbs.	kN	Lbs.	kg
SLN-1/2	1/2"-13	1 1/8"	(28.6)	5/8"	(15.9)	1330	(5.91)	6.0	(2.7)
SLN-5/8	5/8"-11	1 5/16"	(33.3)	5/8"	(15.9)	1650	(7.34)	7.0	(3.2)

## Buzznut™

- Can be installed at any desired position on the ATR, eliminating the need to thread hex nuts up along ATR.
- Loading Safety Factor of 3.
- Torque: 6 ft./lbs (8 Nm)
- Available in Zinc Plated or 316 stainless steel.
- Channel nuts and hardware are sold in full box quantities

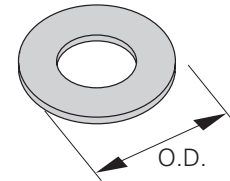


Part No.	Thread Size	Loading Lbs.	kN	Wt./C Lbs.	kg
SLWN1/4	1/4"-20	240	(1.07)	14.4	(6.5)
SLWN3/8	3/8"-16	730	(3.24)	15.4	(7.0)
SLWN1/2	1/2"-13	1350	(6.00)	18.8	(8.5)
SLWN5/8	5/8"-11	2100	(9.33)	25.4	(11.5)
SLWNM6	M6	200	(0.90)	14.1	(6.4)
SLWNM8	M8	380	(1.70)	16.3	(7.4)
SLWNM10	M10	584	(2.60)	17.2	(7.8)
SLWNM12	M12	840	(3.70)	18.9	(8.6)

## FW

### Flat Washers

- Standard finish: Zinc-Plated, Stainless Steel
- Channel nuts and hardware are sold in full box quantities

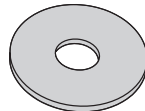


Part No.	O.D. Outside Dia. in.	mm	Wt./C Lbs.	kg
1/4" FW	47/64"	(18.7)	.7	(.32)
5/16" FW	7/8"	(22.2)	1.4	(.63)
3/8" FW	1"	(25.4)	1.7	(.77)
1/2" FW	1 3/8"	(34.9)	3.9	(1.77)
5/8" FW	1 15/32"	(37.3)	6.4	(2.90)
3/4" FW	2"	(50.8)	10.9	(4.94)
7/8" FW	2 1/4"	(57.1)	13.4	(6.08)
1" FW	2 1/2"	(63.5)	18.8	(8.53)

## FFW

### Flat Fender Washers

- Standard finish: Zinc-Plated
- Channel nuts and hardware are sold in full box quantities

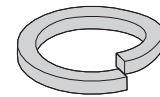


Part No.	Wt./C	
	Lbs.	kg
1/4" x 1 1/4" FFW	2.2	(1.00)
1/4" x 1 1/2" FFW	3.1	(1.40)
3/8" x 1 1/4" FFW	2.0	(.91)
3/8" x 1 1/2" FFW	3.0	(1.36)
1/2" x 2" FFW	5.4	(2.45)

## LW

### Lock Washers

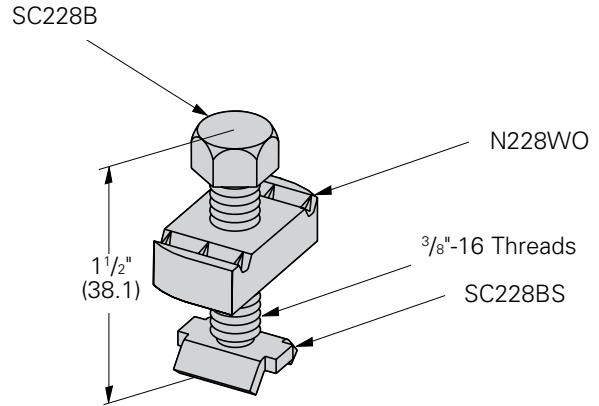
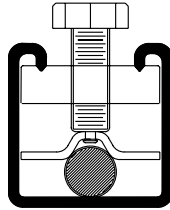
- Standard finish: Zinc-Plated, Stainless Steel
- Channel nuts and hardware are sold in full box quantities



Part No.	Wt./C	
	Lbs.	kg
1/4" LW	.3	(.13)
5/16" LW	.4	(.18)
3/8" LW	.6	(.27)
1/2" LW	1.3	(.59)
5/8" LW	2.4	(1.09)
3/4" LW	3.8	(1.72)
7/8" LW	5.9	(2.67)
1" LW	8.8	(3.99)

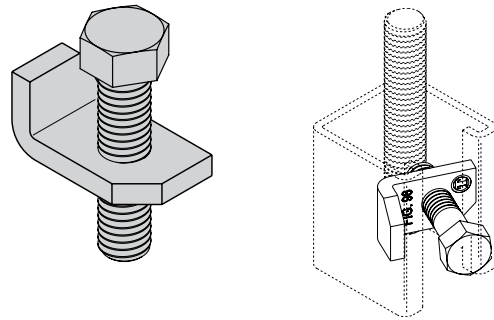
**SC228  
Hanger Rod Stiffener**

- For  $\frac{3}{8}$ " thru  $\frac{5}{8}$ " ATR
- Strut ordered separately
- Standard finish: ZN
- Wt./C 21 Lbs. (9.5 kg)



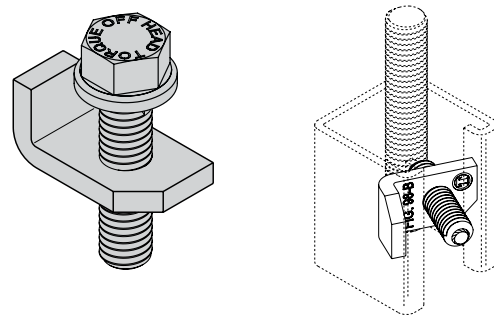
**Fig. 98  
Rod Stiffener**

- For  $\frac{3}{8}$ " thru  $\frac{7}{8}$ " ATR
- Use with 12 ga. strut only, ordered separately
- Secures channel to hanger rod for vertical seismic bracing
- Available finishes: 304 stainless steel, 316 stainless steel and HDG
- Wt./C 11 Lbs. (5.0 kg)



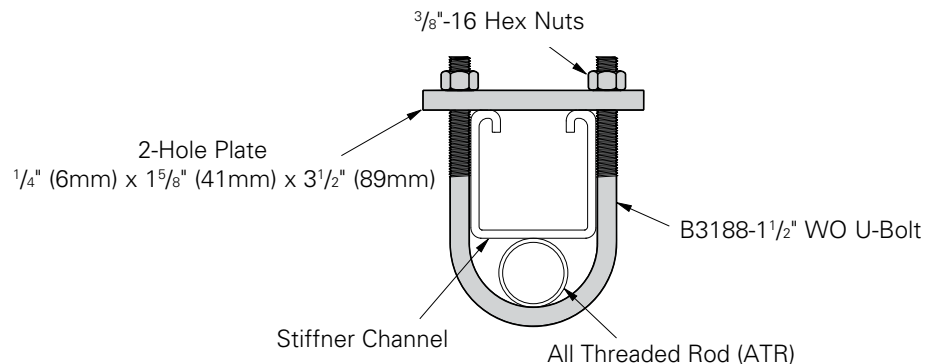
**Fig. 98B  
Rod Stiffener with Break-Off Bolt Head**

- For  $\frac{3}{8}$ " thru  $\frac{7}{8}$ " ATR
- Use with 12 ga. strut only, ordered separately
- Secures channel to hanger rod for vertical seismic bracing
- Uses a snap-off bolt head
- Standard finish: ZN
- Wt./C 13 Lbs. (5.9 kg)



**SC-UB  
Hanger Rod Stiffener**

- For  $\frac{3}{4}$ " thru  $\frac{7}{8}$ " ATR
- Strut ordered separately
- Includes: (1) B3188-1 $\frac{1}{2}$ " WO U-Bolt  
(2)  $\frac{3}{8}$ "-16 Hex Nuts  
(1) 2-Hole Plate
- Standard finish: ZN
- Wt./C 50 Lbs. (22.7 kg)



Channel Nuts & Hardware

Reference page 78 for general fitting and standard finish specifications.

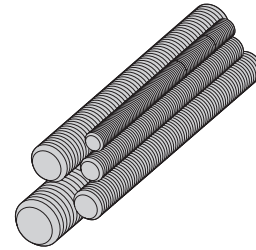


## ATR

### All Threaded Rod

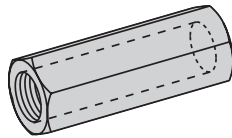
- Available in 36" (91.4 cm), 72" (182.9 cm), 120" (304.8 cm), 144" (365.7 cm) lengths
- Safety Factor of 5 on recommended load
- Standard finish: Zinc-Plated, Stainless Steel Type 304

Part No. & Size	Threads Per Inch	Recommended Load		Wt./C Ft. (3048.0 cm)	
		Lbs.	kN	Lbs.	kg
ATR 1/4"	20	240	(1.07)	12	(5.44)
ATR 5/16"	18	400	(1.78)	19	(8.62)
ATR 3/8"	16	730	(3.24)	29	(13.15)
ATR 1/2"	13	1350	(6.00)	53	(24.04)
ATR 5/8"	11	2160	(9.60)	89	(40.37)
ATR 3/4"	10	3230	(14.37)	123	(55.79)
ATR 7/8"	9	4480	(19.93)	170	(77.11)
ATR 1"	8	5900	(26.24)	225	(102.06)

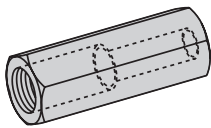


### B655 Rod Coupling B656 Reducer Rod Coupling

- Load rating for each coupler meets All Threaded Rod value
- Standard finish: Zinc-Plated, Stainless Steel Type 304
- Channel nuts and hardware are sold in full box quantities



Part No.	Size	Recommended Load		Length		Wt./C	
		Lbs.	kN	In.	mm	Lbs.	kg
B655-1/4	1/4"-20	240	(1.07)	7/8"	(22.2)	1.9	(.86)
B655-5/16	5/16"-18	380	(1.69)	7/8"	(22.2)	1.8	(.81)
B655-3/8	3/8"-16	730	(3.24)	1 1/8"	(28.6)	3.6	(1.63)
B655-1/2	1/2"-13	1350	(6.00)	1 3/4"	(44.4)	11.3	(5.12)
B655-5/8	5/8"-11	1810	(8.05)	2 1/8"	(54.0)	17.6	(7.98)
B655-3/4	3/4"-10	2710	(12.05)	2 1/4"	(57.1)	28.1	(12.74)
B655-7/8	7/8"-9	3770	(16.77)	2 1/2"	(63.5)	57.2	(25.94)
B655-1	1"-8	4960	(22.06)	2 3/4"	(69.8)	73.7	(33.43)



Part No.	Size	Recommended Load		Length		Wt./C	
		Lbs.	kN	In.	mm	Lbs.	kg
B656-3/8 x 1/4	3/8"-16 & 1/4"-20	240	(1.07)	1"	(25.4)	3.7	(1.68)
B656-1/2 x 3/8	1/2"-13 & 3/8"-16	730	(3.24)	1 1/4"	(31.7)	6.6	(2.99)
B656-5/8 x 1/2	5/8"-11 & 1/2"-13	1350	(6.00)	1 1/4"	(31.7)	11.6	(5.26)
B656-3/4 x 5/8	3/4"-10 & 5/8"-11	1810	(8.05)	1 1/2"	(38.1)	20.6	(9.34)
B656-7/8 x 3/4	7/8"-9 & 3/4"-10	2710	(12.05)	1 3/4"	(44.4)	39.4	(17.87)

### BHR Series Hot Rods for Trapeze Hangers

- 12" length of threaded rod completely assembled with rod coupling, locking hex nuts, square washer, and channel nut.
- Standard finish: Zinc-Plated

Part No.	Rod Size	Recommended Load		Wt./C	
		Lbs.	kN	Lbs.	kg
BHR1225ZN	1/4"-20	240	(1.07)	41	(18.6)
BHR1238ZN	3/8"-16	730	(3.24)	63	(28.6)
BHR1250ZN	1/2"-13	1350	(6.00)	98	(44.4)
BHR1262ZN	5/8"-11	1500	(6.67)	148	(67.1)



Note: Based on use with 12 ga. channel.

(BHR1225, BHR1238, and BHR1250 use combo nut washers instead of square washers and channel nuts)

Reference page 78 for general fitting and standard finish specifications.



## KwikWire Clamps

Part No.	For Use With Wire Rope Diameters	Box Qty.
<b>BKC100</b>	1/16" (1.6mm) & 3/32" (2.3mm)	100
<b>BKC200</b>	1/8" (3.2mm) & 3/16" (4.7mm)	50

**Note:** Channel nuts and hardware are sold in full box quantities.

See table below for KwikWireClamp Working Loads

### KwikWire Clamp Working Loads\*

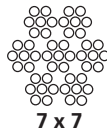
Clamp Part No.	Wire Rope Dia.	Lbs. Safety Factor 5
BKC100	1/16"	0- 75
BKC100	3/32"	25-150
BKC200	1/8"	25-250
BKC200	3/16"	50-640

\* Working loads shown are for hanging vertically.

For suspending at 15°, 30°, 45° or 60°

angles from vertical, use the following percentage of the working loads from the chart:

15° = 96%  
30° = 86%  
45° = 70%  
60° = 50%



### KwikWire Wire Rope (Uncoated Galvanized Wire)

Part No.	Rope Dia.		Working Load		Spool
	in.	mm	Lbs.	kg	
<b>BKW063</b> <sup>(1)</sup>	1/16"	(1.6)	96	(43.5)	500 ft.
<b>BKW094</b> <sup>(1)</sup>	3/32"	(2.3)	184	(83.4)	500 ft.
<b>BKW125</b> <sup>(1)</sup>	1/8"	(3.2)	340	(154.2)	500 ft.
<b>BKW188</b> <sup>(2)</sup>	3/16"	(4.8)	840	(381.0)	250 ft.

<sup>(1)</sup> Wire Rope Construction Type 7 x 7

<sup>(2)</sup> Wire Rope Construction Type 7 x 19

### Instructions for installing the wire rope in the clamp - No tools are required.



1  
Pass the wire rope through the KwikWire Clamp



2  
Loop wire rope through/around support



3  
Pass wire rope back through KwikWire Clamp



4  
Push wire rope through clamp leaving 2" to 3" tail, then apply tension on wire rope



5  
To adjust, remove tension and pull wire rope slightly to disengage teeth, slide adjustment pin in direction shown by arrow to release wire rope.



## KwikPak Wire Rope & Clamps KwikPak

Part No.	For Use With Wire Rope Diameters	Box Qty.
<b>BKP10063</b>	BKC100 (100 pcs.) 1/16"Ø Wire Rope (500 ft.)	1
<b>BKP10094</b>	BKC100 (100 pcs.) 3/32"Ø Wire Rope (500 ft.)	1
<b>BKP20125</b>	BKC200 (50 pcs.) 1/8"Ø Wire Rope (500 ft.)	1
<b>BKP20188</b>	BKC200 (50 pcs.) 3/16"Ø Wire Rope (250 ft.)	1

- KwikPak™ include KwikWire clamps and a spool of wire rope.
- KwikPak is shipped in a specially designed dispenser box to ease field cutting of wire.

### KwikWire System Recommendations:

- Do not exceed the safe working load of the products
- KwikWire Clamp load ratings are guaranteed only when used in combination with our supplied wire rope
- Do not use for overhead lifting or hoisting
- Do not use if cable or components are visibly distorted or worn. Remove damaged cable end prior to inserting in KwikWire Clamp
- Do not paint cable near working area of KwikWire Clamp
- Do not apply lubricant
- Keep product clean and free of dirt
- Do not use clamp on coated wire rope
- Do not use in chlorinated or caustic atmospheres
- For use in dry locations
- BKCC tool is recommended for cutting wire rope to prevent fraying



### KwikWire Cable Cutter

Part No.	Box Qty.
<b>BKCC</b>	1

- Wire rope cutter for cutting all wire rope sizes
- \*\* Never use cutters on energized circuits, wire, or cable.**

**NEVER USE CUTTERS ON ENERGIZED CIRCUITS, WIRE, OR CABLE.**



- KwikWire hanger combines the versatility of a bolt with an adjustable wire rope solution.
- Can be quickly installed in existing anchors or metal brackets with a nut.
- ARS, ARC, and ARW anchors are ideal for use with KwikWire Hangers.
- Ideal for supporting light fixtures, wire basket cable tray, HVAC ducts, and sign/banner supports.
- Allows for tool-less adjustment of wire rope.

## KwikWire Hanger

Part No.	Thread Size	Wire Rope Dia.		Loading* SF5	
		in.	mm	Lbs.	kg
<b>BKF100-4</b>	1/4"-20	1/16"	(1.6)	45	(20.4)
		3/32"	(2.3)	90	(40.8)
<b>BKF100-6</b>	3/8"-16	1/16"	(1.6)	45	(20.4)
		3/32"	(2.3)	90	(40.8)

## KwikWire Hanger installation



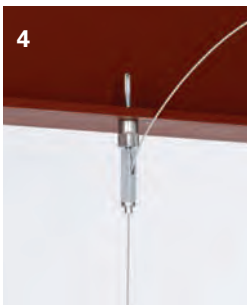
1  
Screw KwikWire Hanger into installed hanger support (ARS anchor pictured)



2  
Push cable wire up through the bottom of KwikWire Hanger



3  
Continue pushing through until 1/4" minimum is extending out the side of the KwikWire Hanger



4  
To adjust up - pull or push more cable wire through KwikWire Hanger



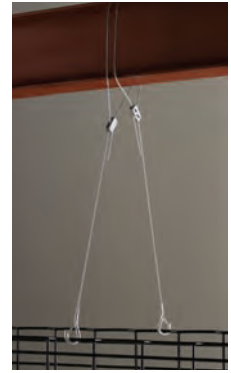
5  
To adjust down - push up on bottom of KwikWire Hanger and allow cable wire to feed down



6  
When hanging the cable wire is complete, cut off any excess cable wire if desired

## KwikWire Accessory Features

- Reduces on the job installation time
- Can be installed quickly without drilling into existing structure
- Increases versatility in the field
- KwikWire accessory system reduces inventory and shipping costs
- No more sawing, filing, or fixing nuts
- Designed for use with cable tray, lighting, and HVAC
- Eliminates the need for all threaded rod
- Cost effective solution for jack chain
- "Y" style accessories require 50% less drilling



## KwikWire Accessory Numbering System

Product Line	Assembly Configuration	Leg Termination	Leg Length	Wire Rope Diameter	Straight Length	Assembly or Kit
BK = KwikWire	Blank = Single Leg Y = 2 Legs 3 - 3 Legs	A = Angle Bracket w/Pin H = Hook L = Loop T = Toggle W = Fuse Cut B25 = Bolt w/ 1/4"-20 Thread B38 = Bolt w/ 3/8"-16 Thread BM6 = Bolt w/ M6 Thread BM8 = Bolt w/ M8 Thread BM10 = Bolt w/ M10 Thread	Blank = See Straight Length 18 = 18" Leg 30 = 30" Leg	063 = 1/16" 094 = 3/32"	Blank = Loop w/ Plastic Tube 18 = 18" 30 = 30" 40 = 40" 80 = 80" 120 = 120" 180 = 180" 240 = 240" 360 = 360"	Blank = Assembly Only K = Kit (Assembly & BKC100 Clamp)

## Examples

### BKYT18-094-120K



KwikWire Accessory  
2 legs - toggle leg termination - 18" legs - 1/16" diameter wire - 120" straight length - kit with clamp

### BKL-063-120K



KwikWire Accessory  
single leg - looped leg termination - 1/16" diameter wire - 120" straight length - kit with clamp



## KwikWire Loop Termination

Part No.	Wire Rope Dia.		Length	
	in.	mm	in.	mm
<b>BKL-063-40</b>	1/16"	(1.6)	40"	(1016)
<b>BKL-063-80</b>	1/16"	(1.6)	80"	(2032)
<b>BKL-063-120</b>	1/16"	(1.6)	120"	(3048)
<b>BKL-063-180</b>	1/16"	(1.6)	180"	(4572)
<b>BKL-063-240</b>	1/16"	(1.6)	240"	(6096)
<b>BKL-063-360</b>	1/16"	(1.6)	360"	(9144)
<b>BKL-094-40</b>	3/32"	(2.3)	40"	(1016)
<b>BKL-094-80</b>	3/32"	(2.3)	80"	(2032)
<b>BKL-094-120</b>	3/32"	(2.3)	120"	(3048)
<b>BKL-094-180</b>	3/32"	(2.3)	180"	(4572)
<b>BKL-094-240</b>	3/32"	(2.3)	240"	(6096)
<b>BKL-094-360</b>	3/32"	(2.3)	360"	(9144)



### Box Quantity - 20

5 bags containing 4 pieces per bag

## KwikWire Loop Termination Kits

Part No.	Wire Rope Dia.		Length	
	in.	mm	in.	mm
<b>BKL-063-40K</b>	1/16"	(1.6)	40"	(1016)
<b>BKL-063-80K</b>	1/16"	(1.6)	80"	(2032)
<b>BKL-063-120K</b>	1/16"	(1.6)	120"	(3048)
<b>BKL-063-180K</b>	1/16"	(1.6)	180"	(4572)
<b>BKL-063-240K</b>	1/16"	(1.6)	240"	(6096)
<b>BKL-063-360K</b>	1/16"	(1.6)	360"	(9144)
<b>BKL-094-40K</b>	3/32"	(2.3)	40"	(1016)
<b>BKL-094-80K</b>	3/32"	(2.3)	80"	(2032)
<b>BKL-094-120K</b>	3/32"	(2.3)	120"	(3048)
<b>BKL-094-180K</b>	3/32"	(2.3)	180"	(4572)
<b>BKL-094-240K</b>	3/32"	(2.3)	240"	(6096)
<b>BKL-094-360K</b>	3/32"	(2.3)	360"	(9144)



### Box Quantity - 20

5 bags containing 4 pieces per bag

- Available as a wire rope with loop termination only or as a ready-to-use kit with a BKC100 clamp.
- Available in lengths of 40", 80", 120", 180", 240", and 360".

## KwikWire Single Style Hook Termination



**Box Quantity - 20**  
5 bags containing 4 pieces per bag



Part No.	Wire Rope Dia.		Length	
	in.	mm	in.	mm
<b>BKH-094-40</b>	3/32"	(2.3)	40"	(1016)
<b>BKH-094-80</b>	3/32"	(2.3)	80"	(2032)
<b>BKH-094-120</b>	3/32"	(2.3)	120"	(3048)
<b>BKH-094-180</b>	3/32"	(2.3)	180"	(4572)
<b>BKH-094-240</b>	3/32"	(2.3)	240"	(6096)
<b>BKH-094-360</b>	3/32"	(2.3)	360"	(9144)

## KwikWire Single Style Hook Termination Kits



**Box Quantity - 20**  
5 bags containing 4 pieces per bag



Part No.	Wire Rope Dia.		Length	
	in.	mm	in.	mm
<b>BKH-094-40K</b>	3/32"	(2.3)	40"	(1016)
<b>BKH-094-80K</b>	3/32"	(2.3)	80"	(2032)
<b>BKH-094-120K</b>	3/32"	(2.3)	120"	(3048)
<b>BKH-094-180K</b>	3/32"	(2.3)	180"	(4572)
<b>BKH-094-240K</b>	3/32"	(2.3)	240"	(6096)
<b>BKH-094-360K</b>	3/32"	(2.3)	360"	(9144)

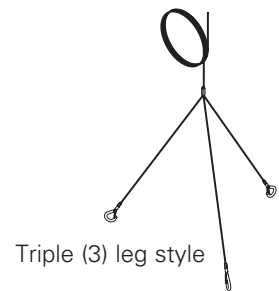
## KwikWire 'Y' Style Hook Termination With Loop



**Box Quantity - 10**  
5 bags containing 2 pieces per bag



Part No.	Wire Rope Dia.		Length	
	in.	mm	in.	mm
<b>BKYH18-094</b>	3/32"	(2.3)	18"	(457)
<b>BKYH30-094</b>	3/32"	(2.3)	30"	(762)



- Hook designed to accept up to 3/8" diameter wire.
- Available as a wire rope with hook termination only or as a ready-to-use kit with a BKC100 clamp.
- Available in lengths of 40", 80", 120", 180", 240", and 360".
- Available in single, double (Y), and triple (3) leg styles

KwikWire 'Y' Style Hook Termination

Part No.	Leg Length		Wire Rope Dia.		Length	
	in.	mm	in.	mm	in.	mm
BKYH18-094-40	18"	(457)	3/32"	(2.3)	40"	(1016)
BKYH18-094-80	18"	(457)	3/32"	(2.3)	80"	(2032)
BKYH18-094-120	18"	(457)	3/32"	(2.3)	120"	(3048)
BKYH18-094-180	18"	(457)	3/32"	(2.3)	180"	(4572)
BKYH18-094-240	18"	(457)	3/32"	(2.3)	240"	(6096)
BKYH18-094-360	18"	(457)	3/32"	(2.3)	360"	(9144)
BKYH30-094-40	30"	(762)	3/32"	(2.3)	40"	(1016)
BKYH30-094-80	30"	(762)	3/32"	(2.3)	80"	(2032)
BKYH30-094-120	30"	(762)	3/32"	(2.3)	120"	(3048)
BKYH30-094-180	30"	(762)	3/32"	(2.3)	180"	(4572)
BKYH30-094-240	30"	(762)	3/32"	(2.3)	240"	(6096)
BKYH30-094-360	30"	(762)	3/32"	(2.3)	360"	(9144)



**Box Quantity - 10**

5 bags containing 2 pieces per bag

KwikWire 'Y' Style Hook Termination Kits

Part No.	Leg Length		Wire Rope Dia.		Length	
	in.	mm	in.	mm	in.	mm
BKYH18-094-40K	18"	(457)	3/32"	(2.3)	40"	(1016)
BKYH18-094-80K	18"	(457)	3/32"	(2.3)	80"	(2032)
BKYH18-094-120K	18"	(457)	3/32"	(2.3)	120"	(3048)
BKYH18-094-180K	18"	(457)	3/32"	(2.3)	180"	(4572)
BKYH18-094-240K	18"	(457)	3/32"	(2.3)	240"	(6096)
BKYH18-094-360K	18"	(457)	3/32"	(2.3)	360"	(9144)
BKYH30-094-40K	30"	(762)	3/32"	(2.3)	40"	(1016)
BKYH30-094-80K	30"	(762)	3/32"	(2.3)	80"	(2032)
BKYH30-094-120K	30"	(762)	3/32"	(2.3)	120"	(3048)
BKYH30-094-180K	30"	(762)	3/32"	(2.3)	180"	(4572)
BKYH30-094-240K	30"	(762)	3/32"	(2.3)	240"	(6096)
BKYH30-094-360K	30"	(762)	3/32"	(2.3)	360"	(9144)



**Box Quantity - 10**

5 bags containing 2 pieces per bag

- Hook designed to accept up to 3/8" diameter wire.
- Available as a wire rope with loop termination only or as a ready-to-use kit with a BKC100 clamp.
- Available in lengths of 40", 80", 120", 180", 240", and 360".

## KwikWire Single Style Toggle Termination



### Box Quantity - 20

5 bags containing 4 pieces per bag

Part No.	Wire Rope Dia.		Length	
	in.	mm	in.	mm
<b>BKT-063-40</b>	1/16"	(1.6)	40"	(1016)
<b>BKT-063-80</b>	1/16"	(1.6)	80"	(2032)
<b>BKT-063-120</b>	1/16"	(1.6)	120"	(3048)
<b>BKT-063-180</b>	1/16"	(1.6)	180"	(4572)
<b>BKT-063-240</b>	1/16"	(1.6)	240"	(6096)
<b>BKT-063-360</b>	1/16"	(1.6)	360"	(9144)

## KwikWire Single Style Toggle Termination Kits



### Box Quantity - 20

5 bags containing 4 pieces per bag

Part No.	Wire Rope Dia.		Length	
	in.	mm	in.	mm
<b>BKT-063-40K</b>	1/16"	(1.6)	40"	(1016)
<b>BKT-063-80K</b>	1/16"	(1.6)	80"	(2032)
<b>BKT-063-120K</b>	1/16"	(1.6)	120"	(3048)
<b>BKT-063-180K</b>	1/16"	(1.6)	180"	(4572)
<b>BKT-063-240K</b>	1/16"	(1.6)	240"	(6096)
<b>BKT-063-360K</b>	1/16"	(1.6)	360"	(9144)

## KwikWire 'Y' Style Toggle Termination With Loop

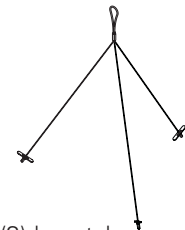


### Box Quantity - 10

5 bags containing 2 pieces per bag

Part No.	Wire Rope Dia.		Length	
	in.	mm	in.	mm
<b>BKYT12-063</b>	1/16"	(1.6)	12"	(305)
<b>BKYT18-063</b>	1/16"	(1.6)	18"	(457)
<b>BKYT30-063</b>	1/16"	(1.6)	30"	(762)

- Available as a wire rope with toggle termination only or as a ready-to-use kit with a BKC100 clamp.
- Available in lengths of 40", 80", 120", 180", 240", and 360".
- Available in single, double (Y), and triple (3) leg styles
- All triple (3) leg styles are non-stock, contact us for lead times



Triple (3) leg style

KwikWire 'Y' Style Toggle Termination

Part No.	Leg Length		Wire Rope Dia.		Length	
	in.	mm	in.	mm	in.	mm
BKYT12-063-40	12"	(305)	1/16"	(1.6)	40"	(1016)
BKYT12-063-80	12"	(305)	1/16"	(1.6)	80"	(2032)
BKYT12-063-120	12"	(305)	1/16"	(1.6)	120"	(3048)
BKYT12-063-180	12"	(305)	1/16"	(1.6)	180"	(4572)
BKYT12-063-240	12"	(305)	1/16"	(1.6)	240"	(6096)
BKYT12-063-360	12"	(305)	1/16"	(1.6)	360"	(9144)
BKYT18-063-40	18"	(457)	1/16"	(1.6)	40"	(1016)
BKYT18-063-80	18"	(457)	1/16"	(1.6)	80"	(2032)
BKYT18-063-120	18"	(457)	1/16"	(1.6)	120"	(3048)
BKYT18-063-180	18"	(457)	1/16"	(1.6)	180"	(4572)
BKYT18-063-240	18"	(457)	1/16"	(1.6)	240"	(6096)
BKYT18-063-360	18"	(457)	1/16"	(1.6)	360"	(9144)
BKYT30-063-40	30"	(762)	1/16"	(1.6)	40"	(1016)
BKYT30-063-80	30"	(762)	1/16"	(1.6)	80"	(2032)
BKYT30-063-120	30"	(762)	1/16"	(1.6)	120"	(3048)
BKYT30-063-180	30"	(762)	1/16"	(1.6)	180"	(4572)
BKYT30-063-240	30"	(762)	1/16"	(1.6)	240"	(6096)
BKYT30-063-360	30"	(762)	1/16"	(1.6)	360"	(9144)



**Box Quantity - 10**  
5 bags containing 2 pieces per bag

KwikWire 'Y' Style Toggle Termination Kits

Part No.	Leg Length		Wire Rope Dia.		Length	
	in.	mm	in.	mm	in.	mm
BKYT12-063-40K	12"	(305)	1/16"	(1.6)	40"	(1016)
BKYT12-063-80K	12"	(305)	1/16"	(1.6)	80"	(2032)
BKYT12-063-120K	12"	(305)	1/16"	(1.6)	120"	(3048)
BKYT12-063-180K	12"	(305)	1/16"	(1.6)	180"	(4572)
BKYT12-063-240K	12"	(305)	1/16"	(1.6)	240"	(6096)
BKYT12-063-360K	12"	(305)	1/16"	(1.6)	360"	(9144)
BKYT18-063-40K	18"	(457)	1/16"	(1.6)	40"	(1016)
BKYT18-063-80K	18"	(457)	1/16"	(1.6)	80"	(2032)
BKYT18-063-120K	18"	(457)	1/16"	(1.6)	120"	(3048)
BKYT18-063-180K	18"	(457)	1/16"	(1.6)	180"	(4572)
BKYT18-063-240K	18"	(457)	1/16"	(1.6)	240"	(6096)
BKYT18-063-360K	18"	(457)	1/16"	(1.6)	360"	(9144)
BKYT30-063-40K	30"	(762)	1/16"	(1.6)	40"	(1016)
BKYT30-063-80K	30"	(762)	1/16"	(1.6)	80"	(2032)
BKYT30-063-120K	30"	(762)	1/16"	(1.6)	120"	(3048)
BKYT30-063-180K	30"	(762)	1/16"	(1.6)	180"	(4572)
BKYT30-063-240K	30"	(762)	1/16"	(1.6)	240"	(6096)
BKYT30-063-360K	30"	(762)	1/16"	(1.6)	360"	(9144)



**Box Quantity - 10**  
5 bags containing 2 pieces per bag

Channel Nuts & Hardware

- Available as a wire rope with loop termination only or as a ready-to-use kit with a BKC100 clamp.
- Available in lengths of 40", 80", 120", 180", 240", and 360".

## KwikWire Bolt Termination



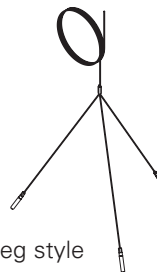
**Box Quantity - 20**  
5 bags containing 4 pieces per bag

Part No.	Thread Size	Wire Rope Dia.		Length	
		in.	mm	in.	mm
<b>BKB25-063-40</b>	1/4"-20	1/16"	(1.6)	40"	(1016)
<b>BKB25-063-80</b>	1/4"-20	1/16"	(1.6)	80"	(2032)
<b>BKB25-063-120</b>	1/4"-20	1/16"	(1.6)	120"	(3048)
<b>BKB25-063-180</b>	1/4"-20	1/16"	(1.6)	180"	(4572)
<b>BKB25-063-240</b>	1/4"-20	1/16"	(1.6)	240"	(6096)
<b>BKB25-063-360</b>	1/4"-20	1/16"	(1.6)	360"	(9144)
<b>BKB38-094-40</b>	3/8"-16	3/32"	(2.3)	40"	(1016)
<b>BKB38-094-80</b>	3/8"-16	3/32"	(2.3)	80"	(2032)
<b>BKB38-094-120</b>	3/8"-16	3/32"	(2.3)	120"	(3048)
<b>BKB38-094-180</b>	3/8"-16	3/32"	(2.3)	180"	(4572)
<b>BKB38-094-240</b>	3/8"-16	3/32"	(2.3)	240"	(6096)
<b>BKB38-094-360</b>	3/8"-16	3/32"	(2.3)	360"	(9144)

- Ideal for use with ARS, ARC, ADI, ACPW, or ACPD anchors.
- Available as a wire rope with bolt termination only or as a ready-to-use kit with a BKC100 clamp.
- Available in lengths of 40", 80", 120", 180", 240", and 360".
- Available in single, double (Y), and triple leg (3) styles
- All (Y) and triple (3) styles are non-stock, contact us for lead times



Double (Y) leg style



Triple (3) leg style



**KwikWire Bolt Termination Kits**

Part No.	Thread Size	Wire Rope Dia.		Length	
		in.	mm	in.	mm
<b>BKB25-063-40K</b>	1/4"-20	1/16"	(1.6)	40"	(1016)
<b>BKB25-063-80K</b>	1/4"-20	1/16"	(1.6)	80"	(2032)
<b>BKB25-063-120K</b>	1/4"-20	1/16"	(1.6)	120"	(3048)
<b>BKB25-063-180K</b>	1/4"-20	1/16"	(1.6)	180"	(4572)
<b>BKB25-063-240K</b>	1/4"-20	1/16"	(1.6)	240"	(6096)
<b>BKB25-063-360K</b>	1/4"-20	1/16"	(1.6)	360"	(9144)
<b>BKB38-094-40K</b>	3/8"-16	3/32"	(2.3)	40"	(1016)
<b>BKB38-094-80K</b>	3/8"-16	3/32"	(2.3)	80"	(2032)
<b>BKB38-094-120K</b>	3/8"-16	3/32"	(2.3)	120"	(3048)
<b>BKB38-094-180K</b>	3/8"-16	3/32"	(2.3)	180"	(4572)
<b>BKB38-094-240K</b>	3/8"-16	3/32"	(2.3)	240"	(6096)
<b>BKB38-094-360K</b>	3/8"-16	3/32"	(2.3)	360"	(9144)



**Box Quantity - 20**

5 bags containing 4 pieces per bag

- Ideal for use with ARS, ARC, ADI, ACPW, or ACPD anchors.
- Available as a wire rope with bolt termination only or as a ready-to-use kit with a BKC100 clamp.
- Available in lengths of 40", 80", 120", 180", 240", and 360".
- Available in single, double (Y), and triple (3) styles
- All double (Y) and triple (3) styles are non-stock, contact us for lead times



Double (Y) leg style



Triple (3) leg style

## KwikWire Angle Bracket Termination



**Box Quantity - 20**

5 bags containing 4 pieces per bag



Part No.	Wire Rope Dia.		Length	
	in.	mm	in.	mm
<b>BKA-063-40</b>	1/16"	(1.6)	40"	(1016)
<b>BKA-063-80</b>	1/16"	(1.6)	80"	(2032)
<b>BKA-063-120</b>	1/16"	(1.6)	120"	(3048)
<b>BKA-063-180</b>	1/16"	(1.6)	180"	(4572)
<b>BKA-063-240</b>	1/16"	(1.6)	240"	(6096)
<b>BKA-063-360</b>	1/16"	(1.6)	360"	(9144)

## KwikWire Angle Bracket Termination Kits



**Box Quantity - 20**

5 bags containing 4 pieces per bag



Part No.	Wire Rope Dia.		Length	
	in.	mm	in.	mm
<b>BKA-063-40K</b>	1/16"	(1.6)	40"	(1016)
<b>BKA-063-80K</b>	1/16"	(1.6)	80"	(2032)
<b>BKA-063-120K</b>	1/16"	(1.6)	120"	(3048)
<b>BKA-063-180K</b>	1/16"	(1.6)	180"	(4572)
<b>BKA-063-240K</b>	1/16"	(1.6)	240"	(6096)
<b>BKA-063-360K</b>	1/16"	(1.6)	360"	(9144)

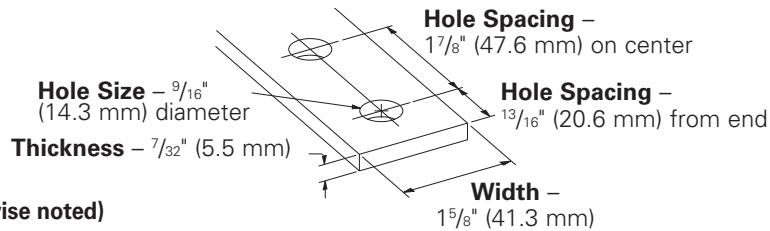
- Available as a wire rope with angle bracket termination only or as a ready-to-use kit with a BKC100 clamp.
- Available in lengths of 40", 80", 120", 180", 240", and 360".



This section offers a full selection of fittings and accessories to complete our strut system. Fittings are made from hot rolled, pickled and oiled plate or strip steel in accordance with ASTM A1018 33,000 PSI min. yield, unless noted.

### Dimensions

The following dimensions apply to all fittings except as noted:



### Materials & Finishes (Unless otherwise noted)

Finish Code	Finish	Specification
PLN	Plain	ASTM A1018 33,000 PSI min. yield
ZN	Electro-Plated Zinc	ASTM B633 SC3 Type III or ASTM A653
GRN	DURA GREEN™	
HDG	Hot-Dipped Galvanized	ASTM A123
SS4	Stainless Steel Type 304	ASTM A240
SS6	Stainless Steel Type 316	ASTM A240
AL	Aluminum	ASTM B209

Note: A minimum order may apply on special material and finishes.

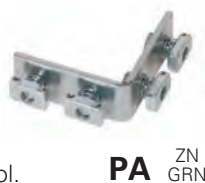
### Hardware

Nuts and bolts are not included with the fittings and must be ordered separately, unless noted.

### Pre-Assembled Fittings

Some fittings are available with hex head cap screws and channel nuts pre-assembled.

These fittings and finishes will be flagged using the following symbol.



### Metric

Metric dimensions are shown in parentheses. Unless noted, all metric dimensions are in millimeters.

### Load Data

The load data published includes safety factor of 2.5 when used with 12 ga. (2.6) channel safety factor = ratio of ultimate load to the design load).

Use  $\frac{1}{2}$ "-13 x  $\frac{7}{8}$ " hex head cap screws and  $\frac{1}{2}$ "-13 (N225 or TN225) channel nuts for the rated results.

Note: See page 277 Design Load Data for typical channel - fitting connections.

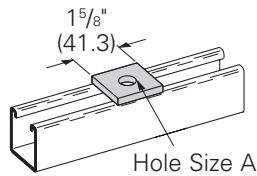
### Recommended Bolt Torque

Bolt Size	$\frac{1}{4}$ "-20	$\frac{5}{16}$ "-18	$\frac{3}{8}$ "-16	$\frac{1}{2}$ "-13
Foot/Lbs.	6	11	19	50
Nm	8	15	26	68

See chart on page 154 for setscrew torque.

## B200-B202-2

- Standard finishes: ZN, GRN, HDG, SS4, SS6, AL

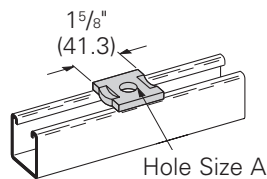


## Square Washer

Part No.	A		Bolt Size		Wt./C	
	In.	mm	In.	mm	Lbs.	kg
B200	3/8"	(9.5)	5/16"	(7.9)	18	(8.1)
B201	7/16"	(11.1)	3/8"	(9.5)	18	(8.1)
B202	9/16"	(14.2)	1/2"	(12.7)	17	(7.7)
B202-1	11/16"	(17.4)	5/8"	(15.9)	16	(7.2)
B202-2	13/16"	(20.6)	3/4"	(19.0)	15	(6.8)
B202-3	15/16"	(23.8)	7/8"	(22.2)	14	(6.3)

## B200D-B202-2D

- Standard finishes: ZN, GRN, HDG, SS4, SS6, AL



## No Twist Square Washer

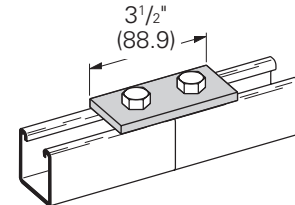
Part No.	A		Bolt Size		Wt./C	
	In.	mm	In.	mm	Lbs.	kg
B200D	3/8"	(9.5)	5/16"	(7.9)	18	(8.1)
B201D	7/16"	(11.1)	3/8"	(9.5)	18	(8.1)
B202D	9/16"	(14.2)	1/2"	(12.7)	17	(7.7)
B202-1D	11/16"	(17.4)	5/8"	(15.9)	16	(7.2)
B202-2D	13/16"	(20.6)	3/4"	(19.0)	15	(6.8)

## B129

### Two Hole Splice Plate

- Standard finishes: ZN, GRN
- Wt./C 37 Lbs. (16.8 kg)

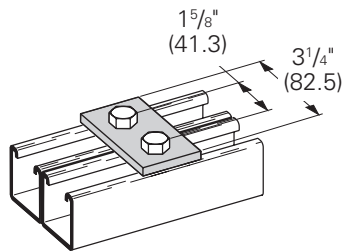
PA <sup>ZN</sup>  
GRN



## B340

### Two Hole Splice Plate

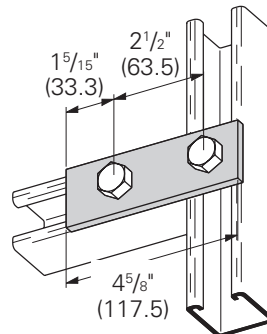
- Standard finishes: ZN, GRN
- Wt./C 34 Lbs. (15.4 kg)



## B528

### Two Hole Splice Plate

- Standard finishes: ZN, GRN
- Wt./C 50 Lbs. (22.7 kg)

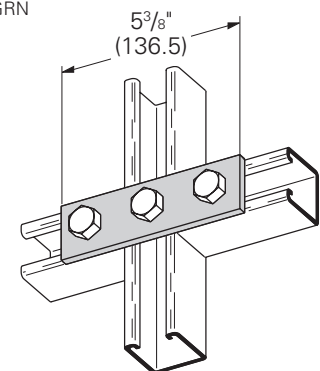


## B141

### Three Hole Splice Plate

- Standard finishes: ZN, GRN
- Wt./C 55 Lbs. (24.9 kg)

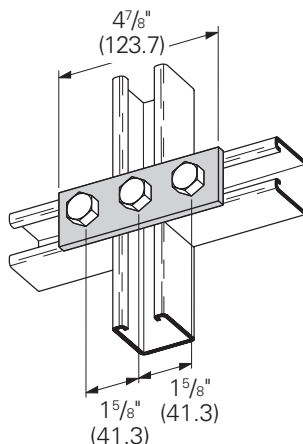
PA <sup>ZN</sup>  
GRN



## B557

### Three Hole Splice Plate

- Standard finishes: ZN, GRN
- Wt./C 50 Lbs. (22.7 kg)

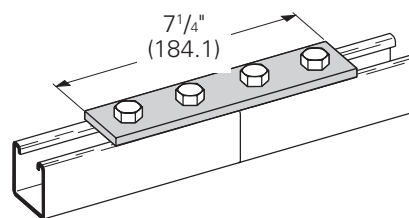


## B341

### Four Hole Splice Plate

- Standard finishes: ZN, GRN, HDG
- Wt./C 76 Lbs. (34.5 kg)

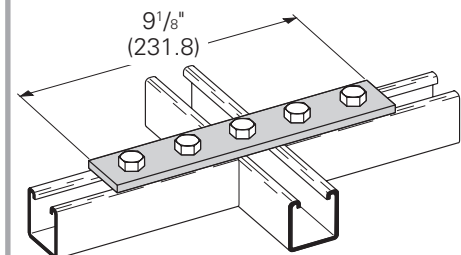
PA <sup>ZN</sup>  
GRN



## B342

### Five Hole Splice Plate

- Standard finishes: ZN, GRN
- Wt./C 96 Lbs. (43.5 kg)



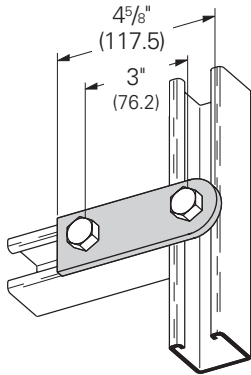
PA Pre-assembled fitting

Reference page 106 for general fitting and standard finish specifications.

# Flat plate fittings

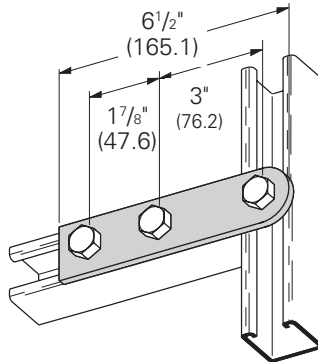
## B138 Two Hole Swivel Plate

- Standard finishes: ZN, GRN
- Wt./C 48 Lbs. (21.8 kg)



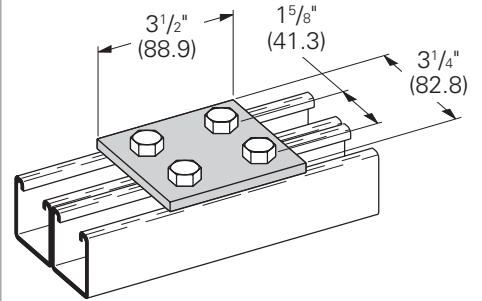
## B139 Three Hole Swivel Plate

- Standard finishes: ZN, GRN
- Wt./C 69 Lbs. (31.3 kg)



## B504 Four Hole Splice Plate

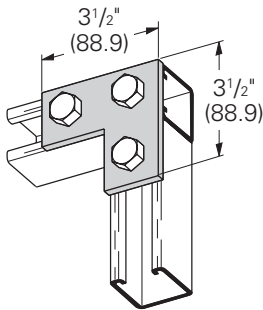
- Standard finishes: ZN, GRN
- Wt./C 73 Lbs. (33.1 kg)



## B140 Three Hole Corner Plate

- Standard finishes: ZN, GRN, HDG, SS4
- Wt./C 56 Lbs. (25.4 kg)

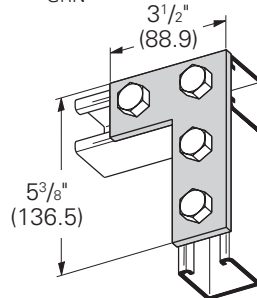
PA ZN  
GRN



## B143 Four Hole Corner Plate

- Standard finishes: ZN, GRN, HDG, SS4
- Wt./C 75 Lbs. (34.0 kg)

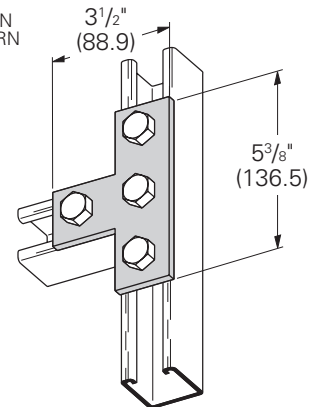
PA ZN  
GRN



## B133 Four Hole Tee Plate

- Standard finishes: ZN, GRN, HDG, SS4, AL
- Wt./C 75 Lbs. (34.0 kg)

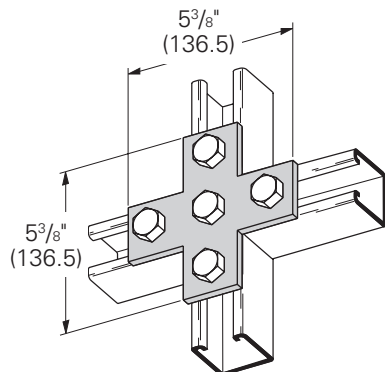
PA ZN  
GRN



## B132 Five Hole Cross Plate

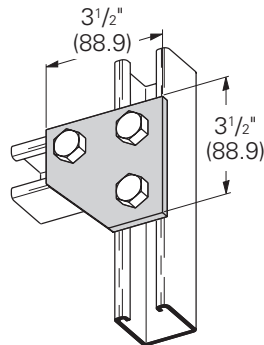
- Standard finishes: ZN, GRN, HDG
- Wt./C 100 Lbs. (45.3 kg)

PA ZN  
GRN



## B135 Three Hole Corner Gusset Plate

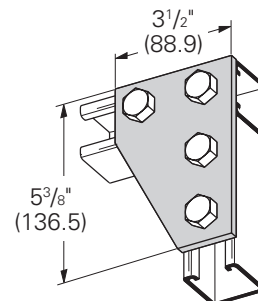
- Standard finishes: ZN, GRN
- Wt./C 70 Lbs. (31.7 kg)



## B142 Four Hole Corner Gusset Plate

- Standard finishes: ZN, GRN, HDG
- Wt./C 102 Lbs. (46.2 kg)

PA ZN  
GRN

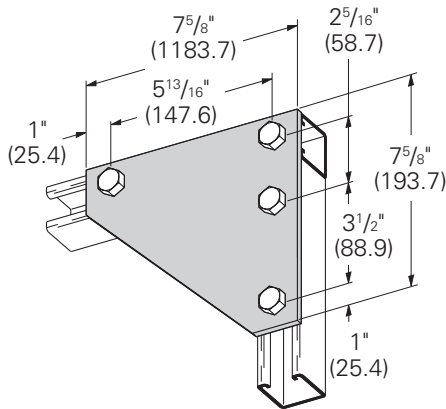


PA Pre-assembled fitting

Reference page 106 for general fitting and standard finish specifications.

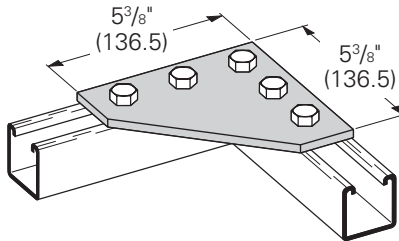
**B137**  
**Four Hole Corner Gusset Plate**

- Standard finishes: ZN, GRN
- Wt./C 273 Lbs. (123.8 kg)



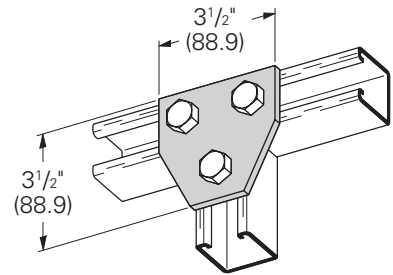
**B556**  
**Five Hole Corner Gusset Plate**

- Standard finishes: ZN, GRN
- Wt./C 145 Lbs. (65.8 kg)



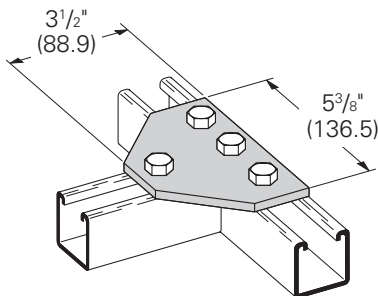
**B337**  
**Three Hole Tee Gusset Plate**

- Standard finishes: ZN, GRN
- Wt./C 70 Lbs. (31.7 kg)



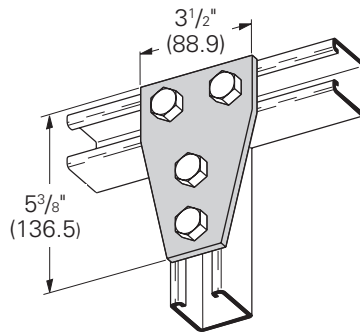
**B432**  
**Four Hole Tee Gusset Plate**

- Standard finishes: ZN, GRN
- Wt./C 100 Lbs. (45.3 kg)



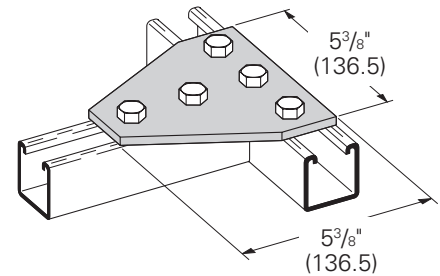
**B136**  
**Four Hole Tee Gusset Plate**

- Standard finishes: ZN, GRN, HDG
- Wt./C 100 Lbs. (45.3 kg)



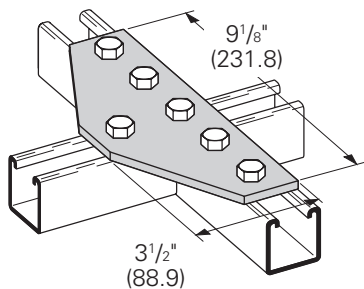
**B532**  
**Five Hole Tee Gusset Plate**

- Standard finishes: ZN, GRN
- Wt./C 143 Lbs. (64.8 kg)



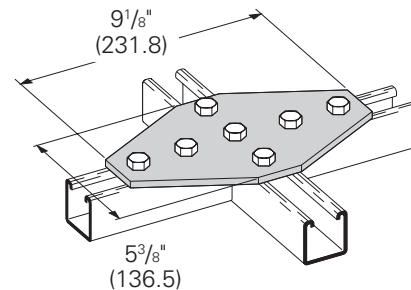
**B339**  
**Six Hole Tee Gusset Plate**

- Standard finishes: ZN, GRN
- Wt./C 149 Lbs. (67.6 kg)



**B334**  
**Seven Hole Cross Gusset Plate**

- Standard finishes: ZN, GRN
- Wt./C 232 Lbs. (105.2 kg)



PA Pre-assembled fitting

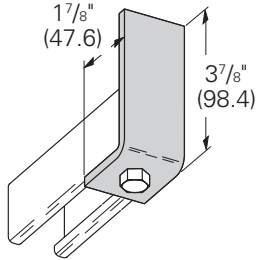
Reference page 106 for general fitting and standard finish specifications.



# 90° Angle fittings

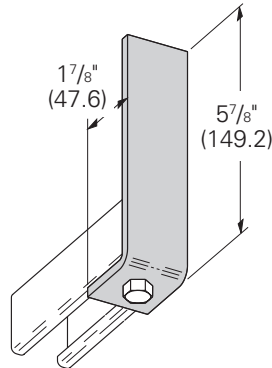
## B420-378 One Hole Corner Angle

- Standard finishes: ZN, GRN
- Wt./C 60 Lbs. (27.2 kg)



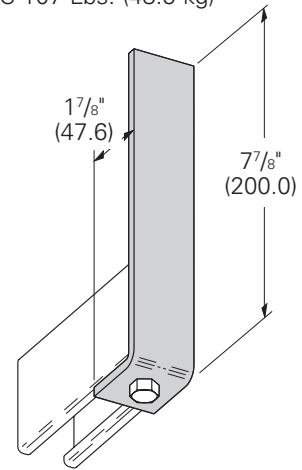
## B420-578 One Hole Corner Angle

- Standard finishes: ZN, GRN
- Wt./C 85 Lbs. (38.5 kg)



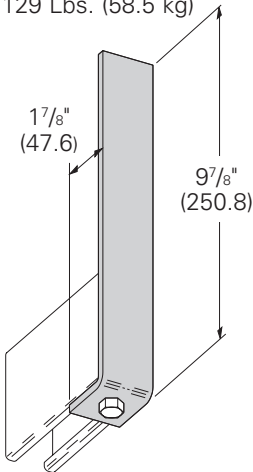
## B420-778 One Hole Corner Angle

- Standard finishes: ZN, GRN
- Wt./C 107 Lbs. (48.5 kg)



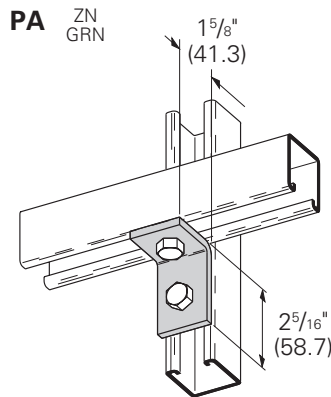
## B420-978 One Hole Corner Angle

- Standard finishes: ZN, GRN
- Wt./C 129 Lbs. (58.5 kg)



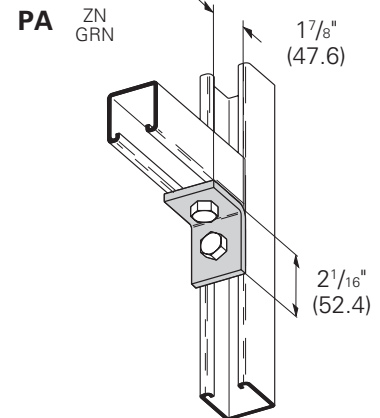
## B101 Two Hole Corner Angle

- Standard finishes: ZN, GRN, HDG, SS4, AL
- Wt./C 37 Lbs. (16.8 kg)



## B230 Two Hole Corner Angle

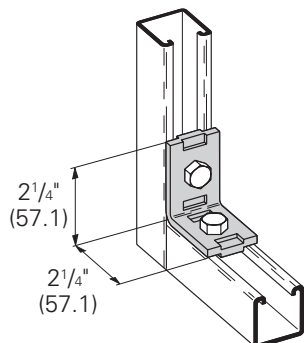
- Standard finishes: ZN, GRN, HDG, SS4, AL
- Wt./C 37 Lbs. (16.8 kg)



## B231 Two Hole "No-Twist" Corner Angle

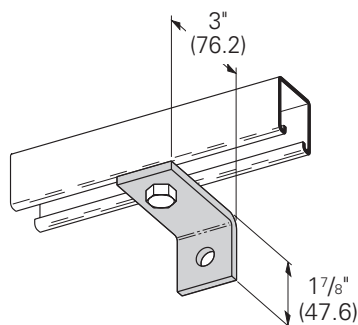
- Standard finishes: ZN, GRN, HDG
- Wt./C 41 Lbs. (18.6 kg)

PA <sup>ZN</sup>  
GRN



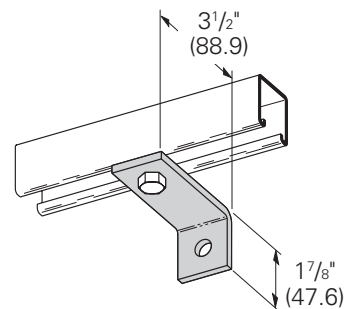
## B359 Two Hole Corner Angle

- Standard finishes: ZN, GRN
- Wt./C 48 Lbs. (21.8 kg)



## B360 Two Hole Corner Angle

- Standard finishes: ZN, GRN
- Wt./C 53 Lbs. (24.0 kg)

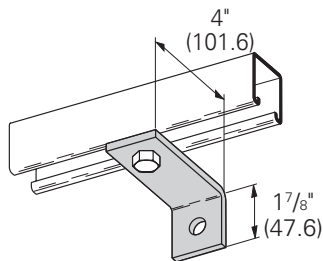


PA Pre-assembled fitting

Reference page 106 for general fitting and standard finish specifications.

**B361**  
**Two Hole Corner Angle**

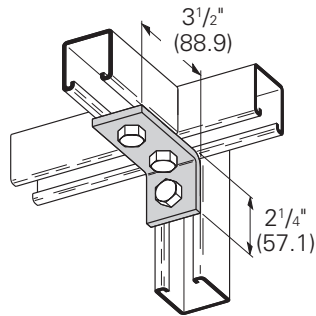
- Standard finishes: ZN, GRN
- Wt./C 60 Lbs. (27.2 kg)



**B102**  
**Three Hole Corner Angle**

- Standard finishes: ZN, GRN, HDG, SS4
- Wt./C 56 Lbs. (25.4 kg)

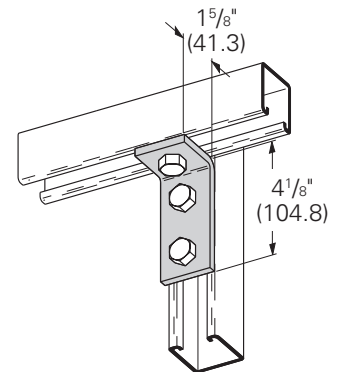
PA <sup>ZN</sup>  
GRN



**B103**  
**Three Hole Corner Angle**

- Standard finishes: ZN, GRN, HDG, SS4
- Wt./C 56 Lbs. (25.4 kg)

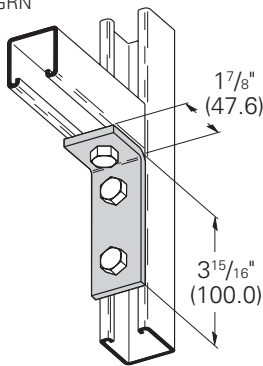
PA <sup>ZN</sup>  
GRN



**B232**  
**Three Hole Corner Angle**

- Standard finishes: ZN, GRN, HDG, SS4
- Wt./C 56 Lbs. (25.4 kg)

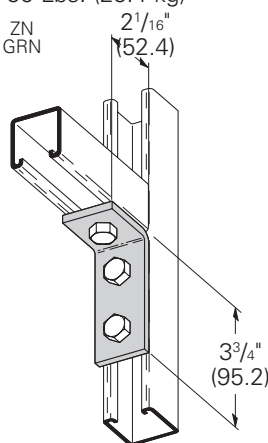
PA <sup>ZN</sup>  
GRN



**B374**  
**Three Hole Corner Angle**

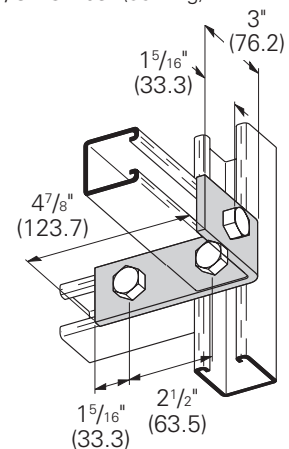
- Standard finishes: ZN, GRN, HDG
- Wt./C 56 Lbs. (25.4 kg)

PA <sup>ZN</sup>  
GRN



**B529**  
**Three Hole Corner Angle**

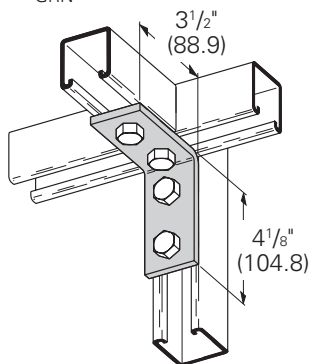
- Standard finishes: ZN, GRN
- Wt./C 78 Lbs. (35.4 kg)



**B104**  
**Four Hole Corner Angle**

- Standard finishes: ZN, GRN, HDG, SS4, SS6, AL
- Wt./C 78 Lbs. (35.4 kg)

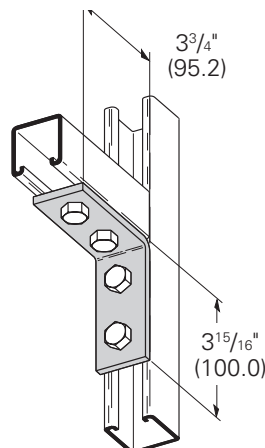
PA <sup>ZN</sup>  
GRN



**B115**  
**Four Hole Corner Angle**

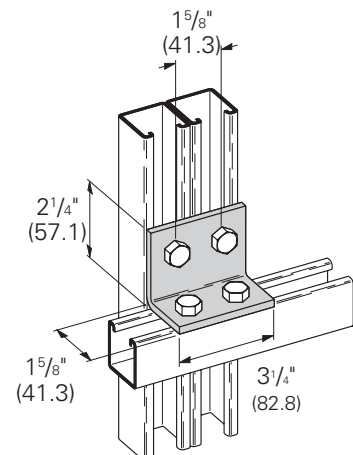
- Standard finishes: ZN, GRN, HDG, SS4, AL
- Wt./C 76 Lbs. (34.5 kg)

PA <sup>ZN</sup>  
GRN



**B558**  
**Four Hole Corner Angle**

- Standard finishes: ZN, GRN
- Wt./C 73 Lbs. (33.1 kg)



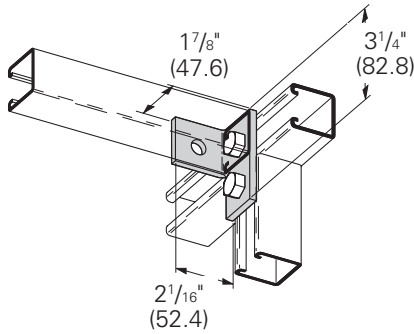
PA Pre-assembled fitting

Reference page 106 for general fitting and standard finish specifications.

# 90° Angle fittings

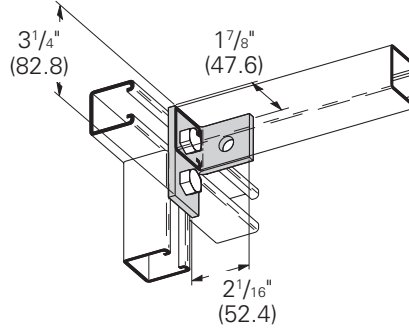
**B235R**  
**Three Hole (Right Hand) Offset Bent Angle**

- 1<sup>5</sup>/<sub>8</sub>" (41.3) from center to center of the holes that are shown with bolt heads
- Standard finishes: ZN, GRN
- Wt./C 53 Lbs. (24.0 kg)



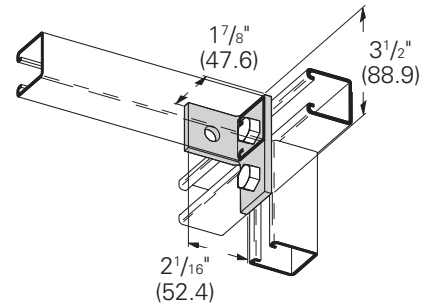
**B235L**  
**Three Hole (Left Hand) Offset Bent Angle**

- 1<sup>5</sup>/<sub>8</sub>" (41.3) from center to center of the holes that are shown with bolt heads
- Standard finishes: ZN, GRN
- Wt./C 53 Lbs. (24.0 kg)



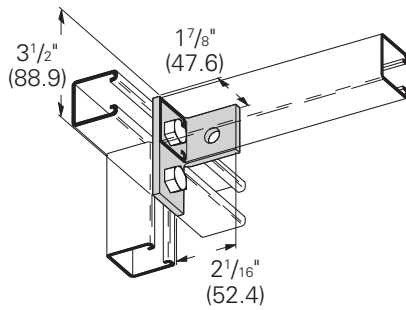
**B236R**  
**Three Hole (Right Hand) Offset Bent Angle**

- Standard finishes: ZN, GRN
- Wt./C 65 Lbs. (29.5 kg)



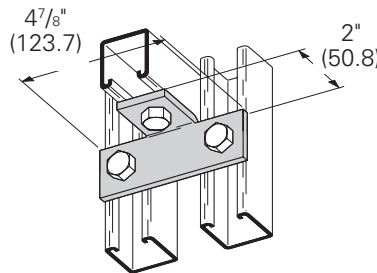
**B236L**  
**Three Hole (Left Hand) Offset Bent Angle**

- Standard finishes: ZN, GRN
- Wt./C 65 Lbs. (29.5 kg)



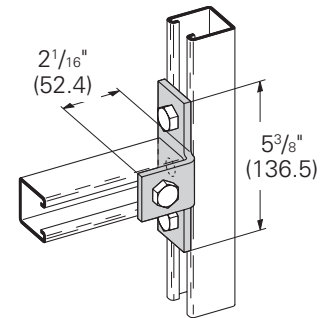
**B237**  
**Three Hole Offset Bent Tee**

- Standard finishes: ZN, GRN
- Wt./C 71 Lbs. (32.2 kg)



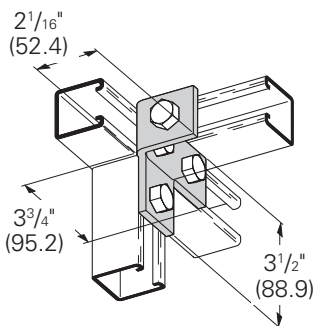
**B357**  
**Four Hole Offset Bent Tee**

- Standard finishes: ZN, GRN
- Wt./C 77 Lbs. (34.9 kg)



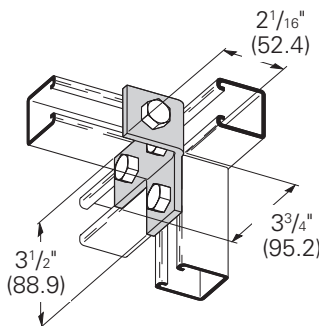
**B238R**  
**Four Hole (Right Hand) Offset Bent Tee**

- Standard finishes: ZN, GRN
- Wt./C 76 Lbs. (34.5 kg)



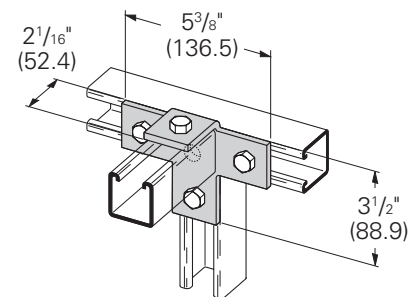
**B238L**  
**Four Hole (Left Hand) Offset Bent Tee**

- Standard finishes: ZN, GRN
- Wt./C 76 Lbs. (34.5 kg)



**B239**  
**Five Hole Offset Bent Tee**

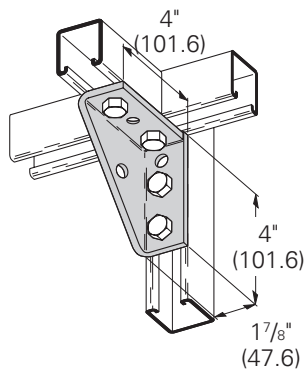
- Standard finishes: ZN, GRN
- Wt./C 96 Lbs. (43.5 kg)



Reference page 106 for general fitting and standard finish specifications.

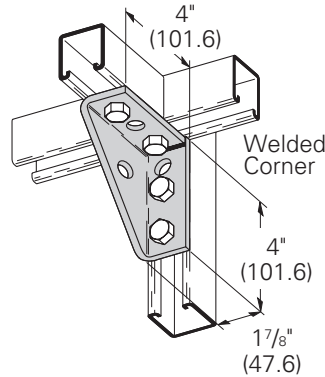
**B844**  
**Universal Shelf Bracket**

- Standard finishes: ZN, GRN, HDG, SS4
- Wt./C 132 Lbs. (59.9 kg)



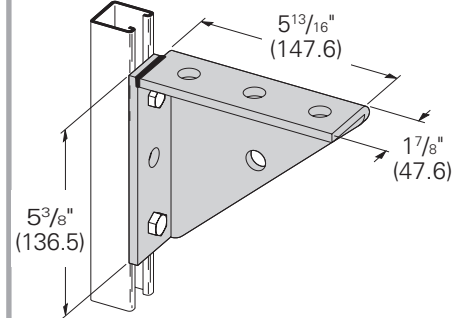
**B844W**  
**Universal Shelf Bracket - Welded**

- Standard finishes: ZN, GRN
- Wt./C 134 Lbs. (60.8 kg)



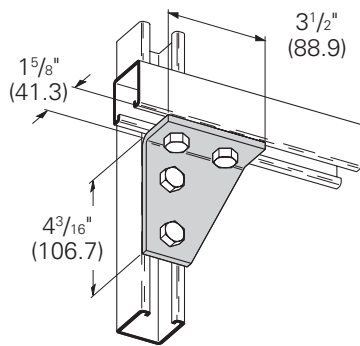
**B888W**  
**Universal Shelf Bracket - Welded**

- Standard finishes: ZN, GRN
- Wt./C 197 Lbs. (89.4 kg)



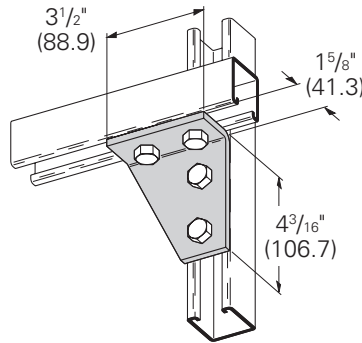
**B234R**  
**Four Hole (Right Hand) Corner Gusset**

- Standard finishes: ZN, GRN, HDG
- Wt./C 100 Lbs. (45.3 kg)



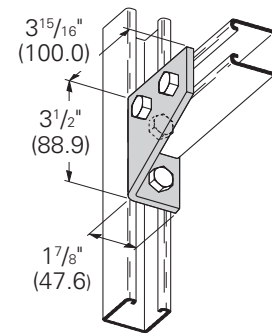
**B234L**  
**Four Hole (Left Hand) Corner Gusset**

- Standard finishes: ZN, GRN, HDG
- Wt./C 100 Lbs. (45.3 kg)



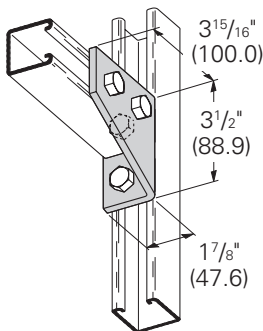
**B134R**  
**Four Hole (Right Hand) Corner Gusset**

- Standard finishes: ZN, GRN
- Wt./C 100 Lbs. (45.3 kg)



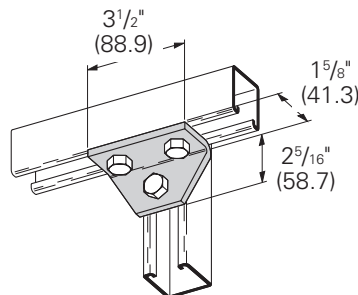
**B134L**  
**Four Hole (Left Hand) Corner Gusset**

- Standard finishes: ZN, GRN
- Wt./C 100 Lbs. (45.3 kg)



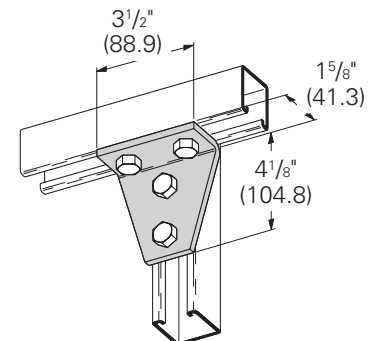
**B125**  
**Three Hole Gussetted Shelf Angle**

- Standard finishes: ZN, GRN
- Wt./C 67 Lbs. (30.4 kg)



**B118**  
**Four Hole Gussetted Shelf Angle**

- Standard finishes: ZN, GRN, HDG
- Wt./C 102 Lbs. (46.2 kg)

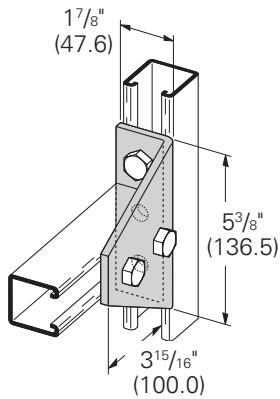


Reference page 106 for general fitting and standard finish specifications.

# 90° Angle fittings

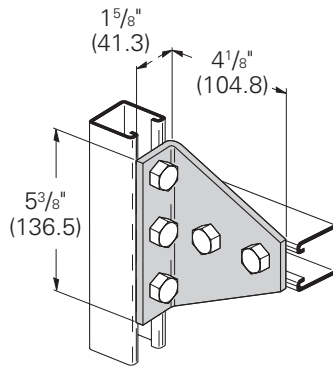
## B485 Four Hole Gussetted Shelf Angle

- Standard finishes: ZN, GRN
- Wt./C 148 Lbs. (67.1 kg)



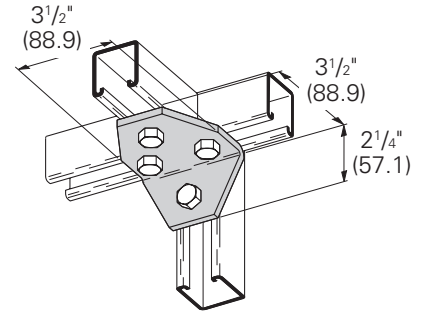
## B533 Five Hole Gussetted Shelf Angle

- Standard finishes: ZN, GRN
- Wt./C 141 Lbs. (63.9 kg)



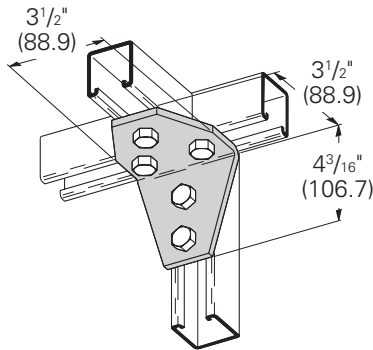
## B126 Four Hole Gussetted Three Way Shelf Angle

- Standard finishes: ZN, GRN
- Wt./C 101 Lbs. (45.8 kg)



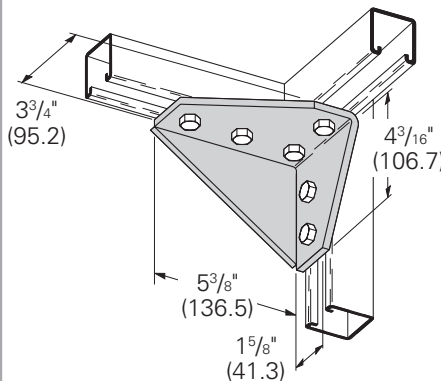
## B127 Five Hole Gussetted Three Way Shelf Angle

- Standard finishes: ZN, GRN
- Wt./C 135 Lbs. (61.2 kg)



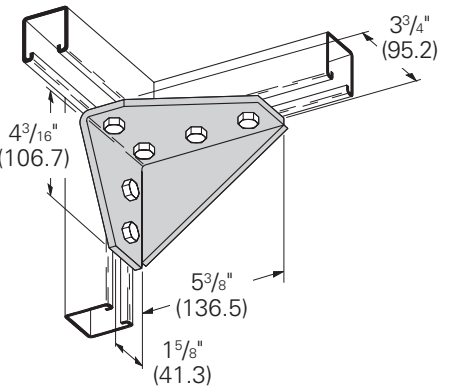
## B503R Six Hole (Right Hand) Gussetted Corner Connection

- Standard finishes: ZN, GRN
- Wt./C 229 Lbs. (103.9 kg)



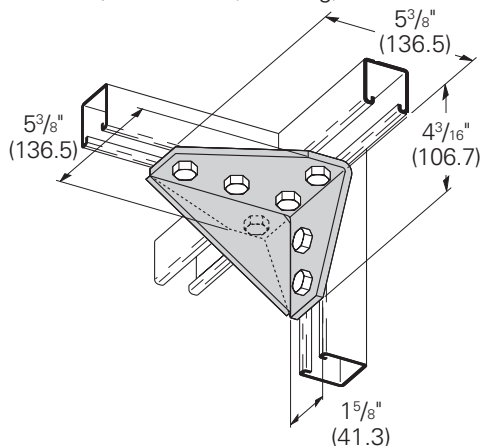
## B503L Six Hole (Left Hand) Gussetted Corner Connection

- Standard finishes: ZN, GRN
- Wt./C 229 Lbs. (103.9 kg)



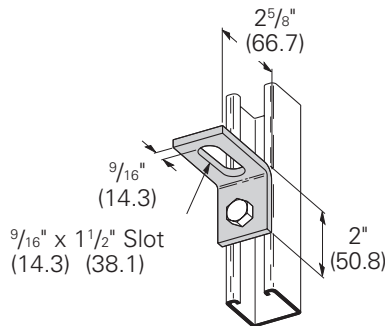
## B663 Seven Hole Gussetted Corner Connection

- Standard finishes: ZN, GRN
- Wt./C 289 Lbs. (131.1 kg)



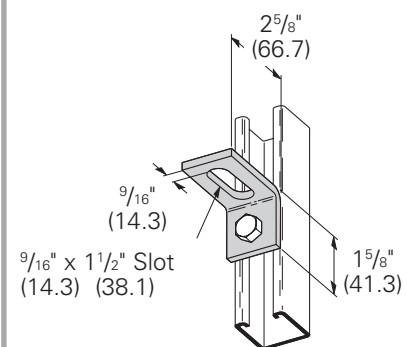
## B371 Two Hole Adjustable Corner Angle

- Standard finishes: ZN, GRN
- Wt./C 41 Lbs. (18.6 kg)



## B372 Two Hole Adjustable Corner Angle

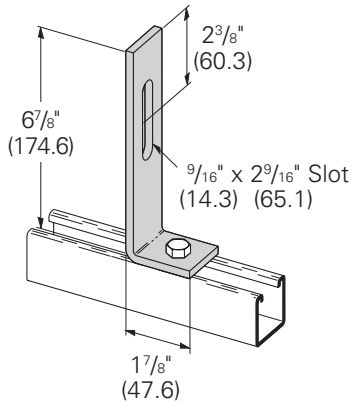
- Standard finishes: ZN, GRN
- Wt./C 38 Lbs. (17.2 kg)



Reference page 106 for general fitting and standard finish specifications.

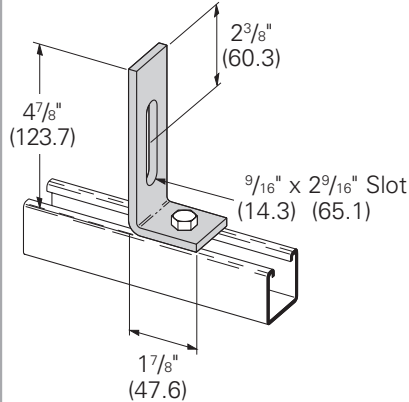
## B496 Two Hole Adjustable Corner Angle

- Standard finishes: ZN, GRN
- Wt./C 85 Lbs. (38.5 kg)



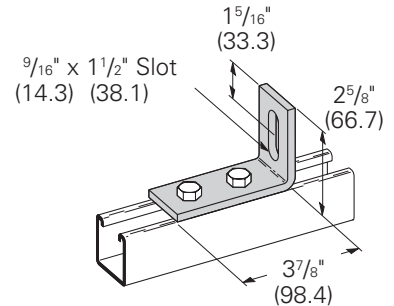
## B496-1 Two Hole Adjustable Corner Angle

- Standard finishes: ZN, GRN, HDG
- Wt./C 58 Lbs. (26.3 kg)



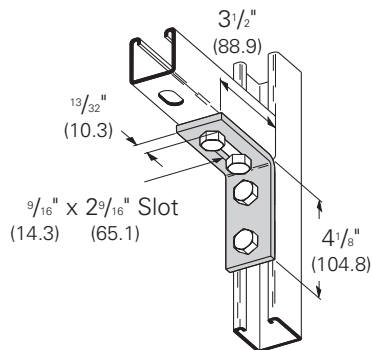
## B371-2 Three Hole Adjustable Corner Angle

- Standard finishes: ZN, GRN
- Wt./C 61 Lbs. (27.6 kg)



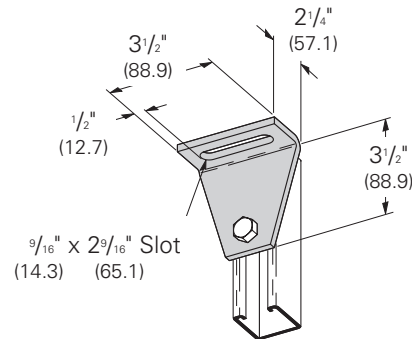
## B104SH Three Hole Adjustable Corner Angle

- Standard finishes: ZN, GRN
- Wt./C 68 Lbs. (30.8 kg)



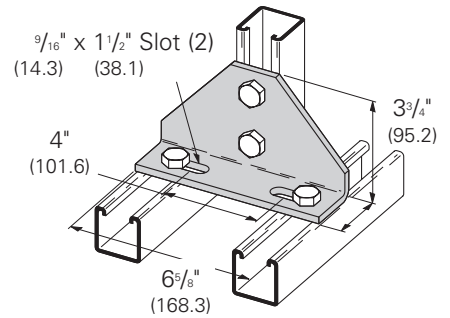
## B461 Two Hole Adjustable Corner Angle

- Standard finishes: ZN, GRN
- Wt./C 87 Lbs. (39.4 kg)



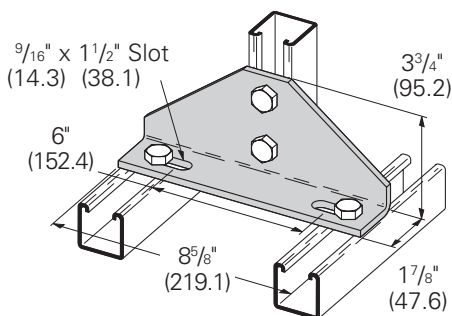
## B112 Four Hole Adjustable Corner Angle

- Standard finishes: ZN, GRN
- Wt./C 180 Lbs. (81.6 kg)



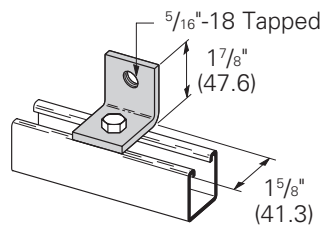
## B113 Four Hole Adjustable Corner Angle

- Standard finishes: ZN, GRN
- Wt./C 256 Lbs. (116.1 kg)



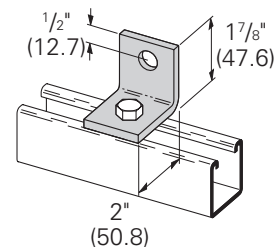
## B109S Two Hole Tapped Corner Angle

- Standard finishes: ZN, GRN
- Wt./C 33 Lbs. (14.9 kg)



## B521 Two Hole Bus Duct Angle

- Standard finishes: ZN, GRN
- Wt./C 37 Lbs. (16.8 kg)



Reference page 106 for general fitting and standard finish specifications.

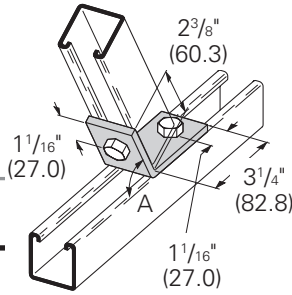


# Angular fittings

## B147-B152 Two Hole Open Angle

- Standard finishes: ZN, GRN

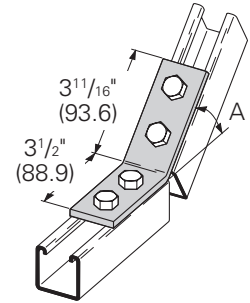
Part No.	A	Wt./C	
		Lbs.	kg
B147	82½°	63	(28.6)
B148	75°		
B149	67½°		
B150	60°		
B151	52½°		
B152	37½°		



## B243-B253 Four Hole Open Angle

- Standard finishes: ZN, GRN

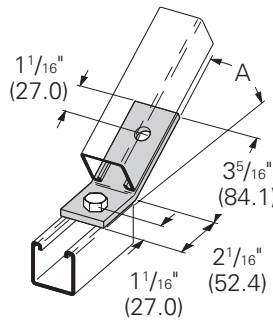
Part No.	A	Wt./C	
		Lbs.	kg
B243	7½°	77	(34.9)
B244	15°		
B245	22½°		
B246	30°		
B247	37½°		
B248	45°		
B249	52½°		
B250	60°		
B251	67½°		
B252	75°		
B253	82½°		



## B162-B165 Two Hole Open Short Angle

- Standard finishes: ZN, GRN

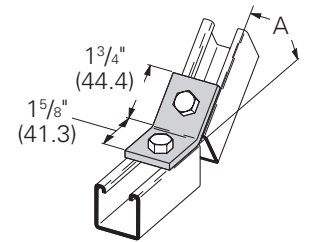
Part No.	A	Wt./C	
		Lbs.	kg
B162	30°	59	(26.7)
B163	22½°		
B164	15°		
B165	7½°		



## B322-B332 Two Hole Open Short Angle

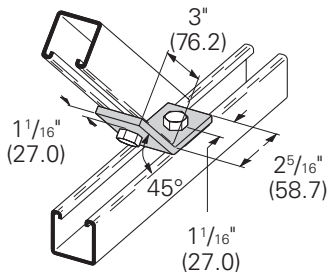
- Standard finishes: ZN, GRN

Part No.	A	Wt./C	
		Lbs.	kg
B322	7½°	35	(15.9)
B323	15°		
B324	22½°		
B325	30°		
B326	37½°		
B327	45°		
B328	52½°		
B329	60°		
B330	67½°		
B331	75°		
B332	82½°		



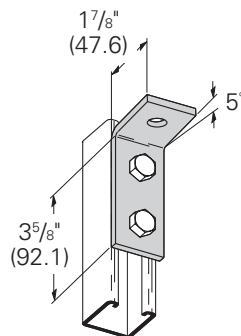
## B154 Two Hole Open Angle

- Standard finishes: ZN, GRN, SS4
- Wt./C 58 Lbs. (26.3 kg)



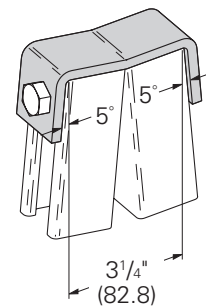
## B522 Three Hole 95° Open Angle Fitting

- Standard finishes: ZN, GRN
- Wt./C 54 Lbs. (24.5 kg)



## B488 Two Hole Leg Connection

- Standard finishes: ZN, GRN
- Wt./C 100 Lbs. (45.3 kg)

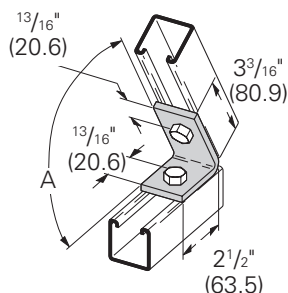


Reference page 106 for general fitting and standard finish specifications.

## B156 - B161 Two Hole Closed Angle

- Standard finishes: ZN, GRN

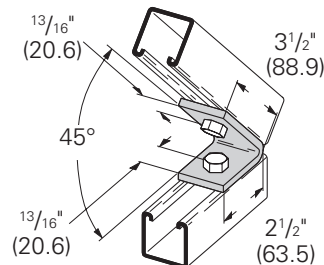
Part No.	A	Wt./C	
		Lbs.	kg
B156	82 1/2°	56	(25.4)
B157	75°		
B158	67 1/2°		
B159	60°		
B160	52 1/2°		
B161	37 1/2°		



## B155 Two Hole Closed Angle

- Standard finishes: ZN, GRN, HDG, SS4
- Wt./C 63 Lbs. (28.6 kg)

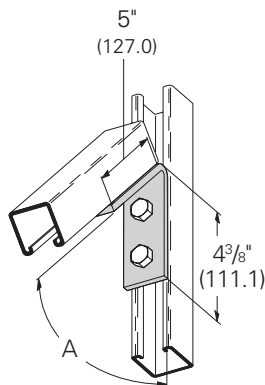
PA <sup>ZN</sup><sub>GRN</sub>



## B363 - B369 Four Hole Closed Angle

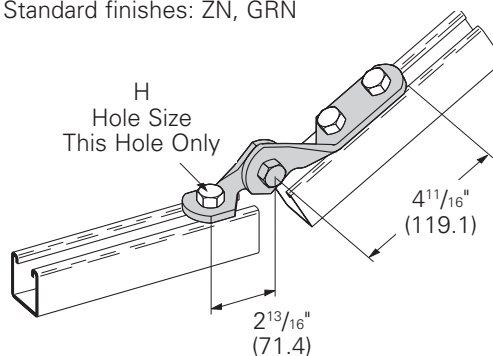
- Standard finishes: ZN, GRN

Part No.	A	Wt./C	
		Lbs.	kg
B363	82 1/2°	95	(43.1)
B364	75°		
B365	67 1/2°		
B366	60°		
B367	52 1/2°		
B368	45°		
B369	37 1/2°		



## B335-2 SERIES Three Hole Adjustable Hinge

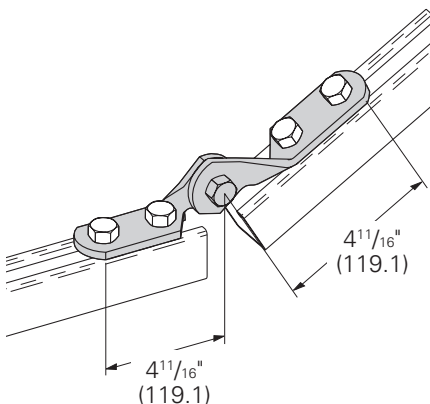
- Standard finishes: ZN, GRN



Part No. & Size	Hole Size H		Wt./C	
	In.	mm	Lbs.	kg
B335-2-3/8	7/16"	(11.1)	96	(43.2)
B335-2-1/2	9/16"	(14.3)	94	(42.3)
B335-2-5/8	11/16"	(17.4)	92	(41.4)
B335-2-3/4	13/16"	(20.6)	90	(40.5)

## B335 Four Hole Adjustable Hinge

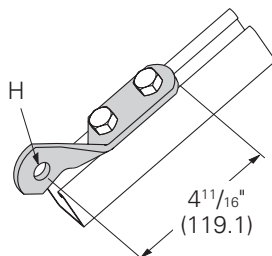
- Standard finishes: ZN, GRN
- Wt./C 110 Lbs. (49.9 kg)



## B335V Three Hole Half Hinge

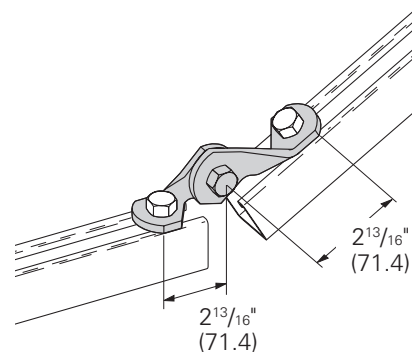
- Standard finishes: ZN, GRN

Part No. & Size	Hole Size H		Wt./C	
	In.	mm	Lbs.	kg
B335V-1/2	9/16"	(14.3)	53	(24.1)
B335V-5/8	11/16"	(17.4)	54	(24.5)
B335V-3/4	13/16"	(20.6)	55	(24.9)



## B335-1 Two Hole Adjustable Hinge

- Standard finishes: ZN, GRN
- Wt./C 78 Lbs. (35.4 kg)



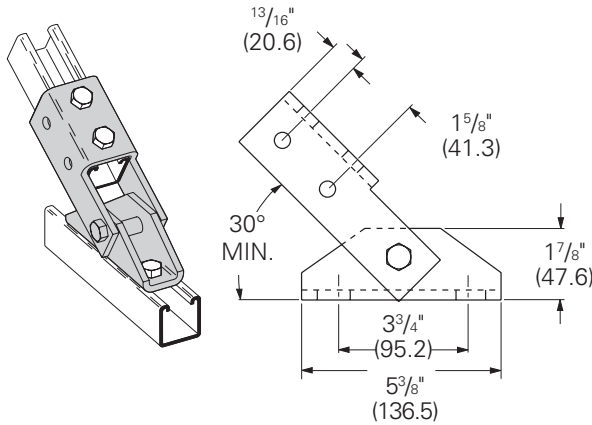
PA Pre-assembled fitting

Reference page 106 for general fitting and standard finish specifications.

# Angular fittings

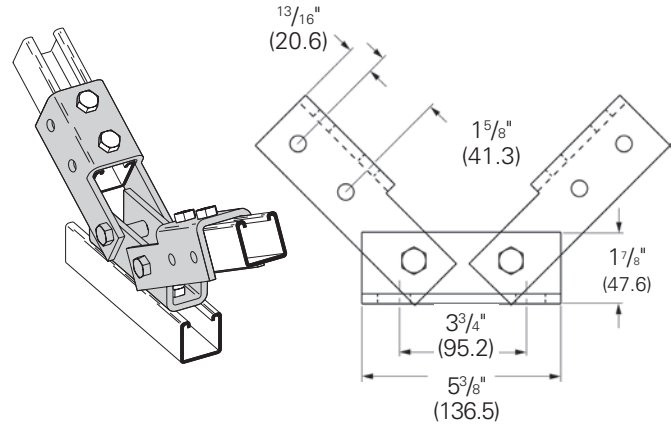
## B634 Single Channel Adjustable Brace

- Standard finishes: ZN, GRN
- Wt./C 306 Lbs. (138.8 kg)



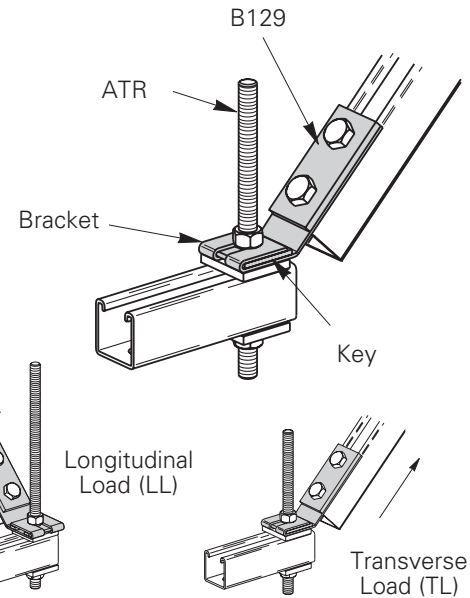
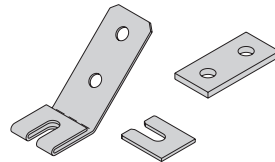
## B635 Double Channel Adjustable Brace

- Standard finishes: ZN, GRN
- Wt./C 518 Lbs. (234.9 kg)

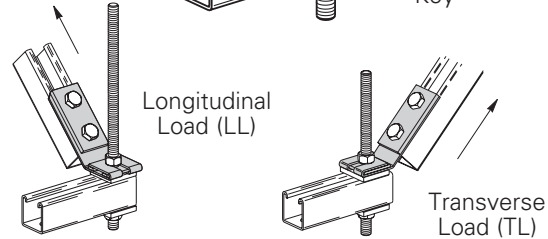


## B650 SERIES Seismic Retrofit Bracket

- Available for 3/8", 1/2", 5/8", and 3/4" threaded rods.
- Allows installer to easily brace existing trapeze supports.
- Includes: Bracket, B129 plate, & key. Hardware sold separately.
- Standard finish: ZN, GRN



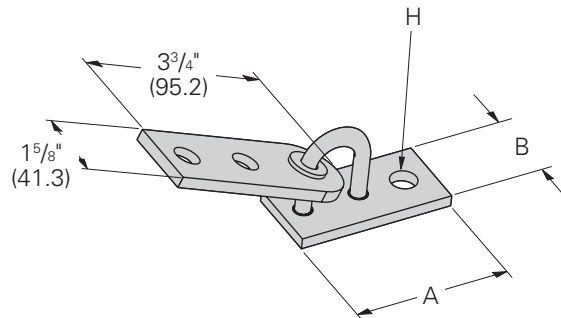
Part No. & Size	For Rod Size	TL		LL		Wt./C	
		Lbs.	kN	Lbs.	kN	Lbs.	kg
B650-3/8	3/8"	1100	(4.89)	1100	(4.89)	92	(41.4)
B650-1/2	1/2"	1500	(6.67)	1500	(6.67)	97	(43.6)
B650-5/8	5/8"	1500	(6.67)	1500	(6.67)	95	(42.7)
B650-3/4	3/4"	1500	(6.67)	1500	(6.67)	107	(48.5)



## B633 Adjustable Seismic Hinge Fitting

- Use 1/2" Bolt & Channel Nut on two hole side of Connector Fitting (Torque to 50 ft.-lbs.)
- Allows for swivel in two planes.
- Standard finish: ZN

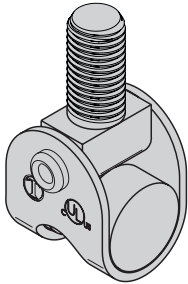
Part No. & Size	A		B		Hole Size H		Wt./C	
	In.	mm	In.	mm	In.	mm	Lbs.	kg
B633-1/2	3 1/2"	(82.5)	1 5/8"	(41.3)	9/16"	(14.3)	92	(41.4)
B633-5/8	3 1/2"	(82.5)	1 5/8"	(41.3)	1 1/16"	(17.4)	97	(43.6)
B633-3/4	3 1/2"	(82.5)	1 5/8"	(41.3)	1 3/16"	(20.6)	95	(42.7)
B633-7/8	3 9/16"	(90.5)	2"	(50.8)	1 5/16"	(23.8)	107	(48.5)
B633-1	3 9/16"	(90.5)	2"	(50.8)	1 1/16"	(27.0)	120	(54.0)
B633-1 1/8	3 9/16"	(90.5)	2"	(50.8)	1 3/16"	(30.2)	104	(47.2)
B633-1 1/4	3 7/8"	(98.4)	2 1/4"	(57.1)	1 5/16"	(33.3)	114	(51.7)



Reference page 106 for general fitting and standard finish specifications.

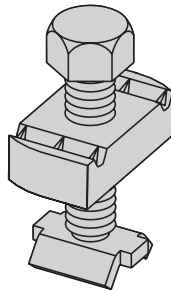
**Fig. 75  
Swivel Attachment**

See page 89 for product information



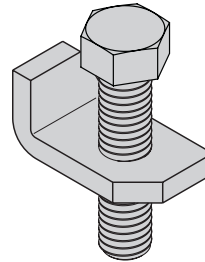
**SC228  
Hanger Rod Stiffener**

See page 91 for product information



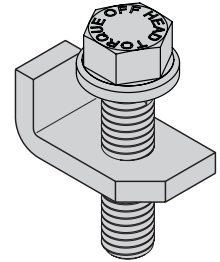
**Fig. 98  
Rod Stiffener**

See page 91 for product information



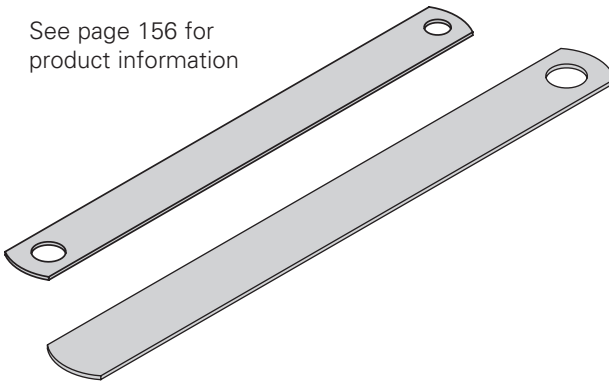
**Fig. 98B  
Rod Stiffener with  
Break-Off Bolt Head**

See page 91 for product information



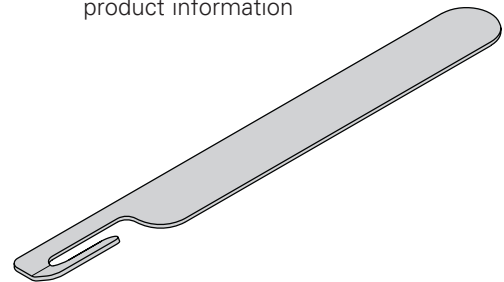
**Fig. 69  
Retaining Strap**

See page 156 for product information



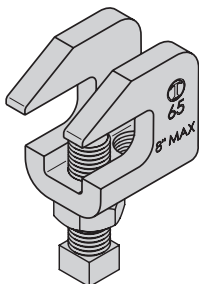
**Fig. 69R  
Retrofit Retaining Strap**

See page 156 for product information



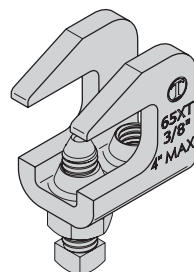
**Fig. 65  
Reversible Steel  
C-Type Beam Clamp - 3/4" (19.0mm) Throat Opening**

See page 157 for product information



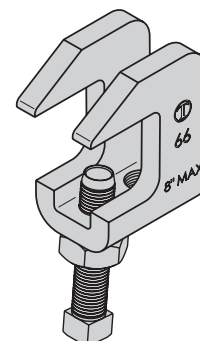
**Fig. 65XT  
Reversible C-Type  
Beam Clamp**

See page 157 for product information



**Fig. 66  
Reversible Steel C-Type  
Beam Clamp - 1 1/4" (31.7mm) Throat Opening**

See page 157 for product information



Reference page 106 for general fitting and standard finish specifications.

# Miscellaneous seismic fittings

## TOLCO Fig. 825 - bar joist sway brace attachment to steel

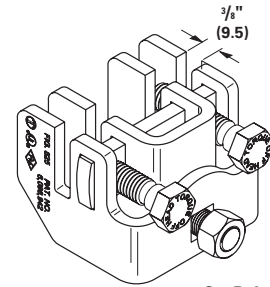


**Size Range:** Fits up to 3/8" (9.5mm) thick structural steel member. Accommodates all Fig. 900 Series sway brace attachments.

**Material:** Steel

**Function:** To attach sway brace assemblies and/or hanger assemblies to structural steel members.

**Features:** This product's design incorporates a concentric attachment point which is critical to the performance of structural seismic connections. NFPA 13 indicates the importance of concentric loading of connections and fasteners. Permits secure non-friction connection without drilling or welding. Unique design reinforces point of connection to joist. Break off head set bolt design assures verification of proper installation torque (min. 31 lbs-ft (42.1 N•m)).



Set Bolts & Hardware Included

**Approvals:** Underwriters Laboratories Listed in the USA and Canada (cULus). Approved by Factory Mutual Engineering (FM). Included in our Seismic Engineering Guidelines approved by the State of California Office of Statewide Health Planning and Development (OSHPD). For additional load, spacing and placement information relating to OSHPD projects, please refer to our Seismic Engineering Guidelines, OPM-0052-13.

**Installation:** Fig. 825 is the structural attachment component of a longitudinal or lateral sway brace assembly. It is intended to be combined with a TOLCO transitional attachment, "bracing pipe" and a TOLCO "braced pipe" attachment, to form a complete bracing assembly. NFPA 13, FM DS 2-8, and/or OSHPD guidelines should be followed.

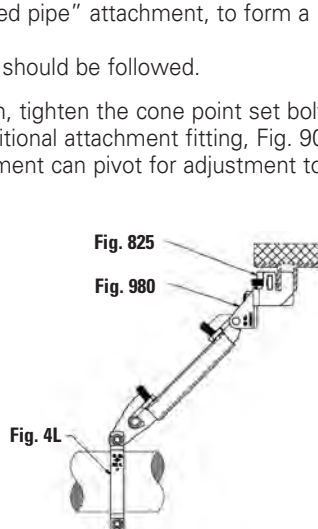
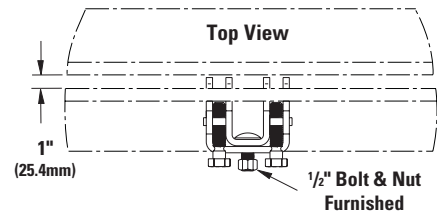
**To Install:** Place the Fig. 825 on the steel beam, tighten the cone point set bolts until heads break off. Attach other TOLCO transitional attachment fitting, Fig. 909, 910, 980, 986, or 990. Transitional fitting attachment can pivot for adjustment to proper brace angle.

**Finish:** Plain or Electro-Galvanized.

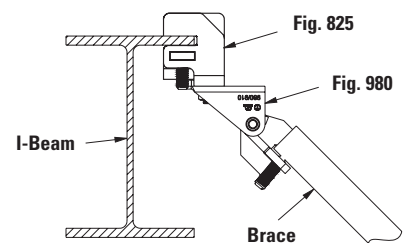
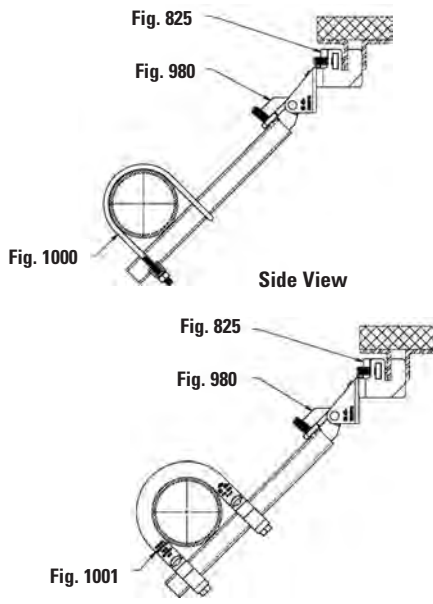
**Weight:** Approx. Wt./100 - 247.5 lbs. (112.2kg)

**Order By:** Figure number and finish  
 US Patent #6,098,942,  
 Canada Patent #2,286,659

**Note:** Retaining strap not required



UL Listed as Hanger Attachment for 6" (150mm) pipe at Maximum Spacing



Maximum Design Load	
825W/909-1370 lbs	(5.78 kN)
825W/910-1500 lbs	(7.11 kN)
825W/980-1600 lbs	(8.45 kN)

		Max. Horizontal Design Loads (FM)			
		30° - 44° lbf / (kN)	45° - 59° lbf / (kN)	60° - 74° lbf / (kN)	75° - 90° lbf / (kN)
Maximum 3/8" Thick Flange	Perpendicular to Structural Member	990 (4.40)	1360 (6.05)	1670 (7.43)	1860 (8.27)
Maximum 3/8" Thick Flange	Parallel to Structural Member	460 (2.04)	630 (2.80)	770 (3.42)	860 (3.82)

FM Approved design loads are based on ASD design method.

Eaton's B-Line series seismic bracing components are designed to be compatible only with other B-Line series bracing components, resulting in a listed seismic bracing assembly. Eaton B-Line Division warranty for seismic bracing components will be the warranty provided in Eaton B-Line Division standard terms and conditions of sale made available by Eaton, except that, in addition to the other exclusions from Eaton B-Line Division warranty, Eaton makes no warranty relating to B-Line series seismic bracing components that are combined with products not provided by Eaton.

Reference page 106 for general fitting and standard finish specifications.

## TOLCO Fig. 825A - Bar Joist Sway Brace Attachment

**Size Range:** One size accommodates all Fig. 900 Series sway brace attachments. Maximum Horizontal Design Load 1600 lbs (7.11kN).

**Material:** Steel

**Function:** To attach sway bracing to steel open web structural members.

**Features:** This product's design incorporates a concentric attachment point which is critical to the performance of structural seismic connections. NFPA 13 indicates the importance of concentric loading of connections and fasteners. Permits secure non-friction connection without drilling or welding. Unique design reinforces point of connection to joist. Break off head bolt design assures verification of proper installation.

**Approvals:** Underwriters Laboratories Listed in the USA (**UL**) and Canada (**cUL**). For additional load, spacing and placement information relating to OSHPD projects, please refer to the TOLCO Seismic Restraint Systems Guidelines.

**Installation Instructions:** Fig. 825A is the structural attachment component of a longitudinal or lateral sway brace assembly. It is intended to be combined with a TOLCO transitional attachment, "bracing pipe" and a TOLCO "braced pipe" attachment to form a complete bracing assembly. NFPA 13 and/or OSHPD guidelines should be followed.

**To Install:** Place the Fig. 825A on the steel beam, tighten the cone point set screws until heads break off. Attach other TOLCO transitional attachment fitting, Fig. 909, 910, 980 or 986. Transitional fitting attachment can pivot for adjustment to proper brace angle.

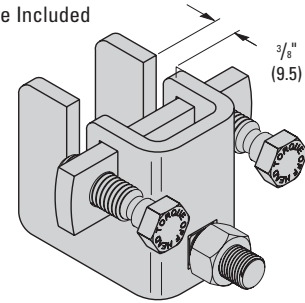
**Finish:** Plain or Electro-Galvanized

**Approx. Wt./100:** 154.5 Lbs. (70.1kg)

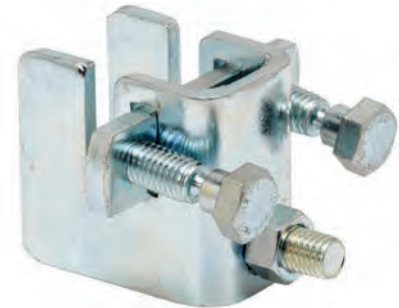
**Order By:** Figure number and finish  
Patent #6,098,942



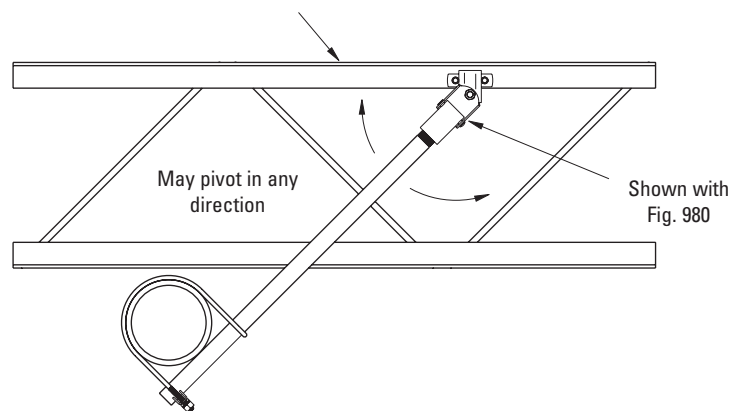
Set Screws & Hardware Included



**Maximum Design Load  
1600 lbs.**



Bar joist shown attached to various roof materials



Eaton's B-Line series seismic bracing components are designed to be compatible only with other B-Line series bracing components, resulting in a listed seismic bracing assembly. Eaton B-Line Division warranty for seismic bracing components will be the warranty provided in Eaton B-Line Division standard terms and conditions of sale made available by Eaton, except that, in addition to the other exclusions from Eaton B-Line Division warranty, Eaton makes no warranty relating to B-Line series seismic bracing components that are combined with products not provided by Eaton.

Reference page 106 for general fitting and standard finish specifications.



# Miscellaneous seismic fittings

## TOLCO Fig. 828 - universal sway brace attachment to steel

**Size Range:** One size accommodates all Fig. 900 Series sway brace attachments. Fits from  $\frac{3}{8}$ " (9.4mm) to  $\frac{7}{8}$ " (22.2mm) thick steel structure. For thicknesses less than  $\frac{3}{8}$ " (9.4mm) refer to Fig. 825 and Fig. 825A.

**Material:** Steel

**Function:** To attach sway bracing and/or hangers to various types of steel structural members.

**Features:** Permits secure non-friction connection without drilling or welding. Unique design allows offset placement on wide flange beam, C-channel, open web, welded steel trusses, etc. Secures brace to structure either across or along the beam. Break-off set bolts allow for visual verification of proper installation torque.

**Approvals:** Underwriters Laboratories Listed in the USA and Canada (cULus). Included in our Seismic Engineering Guidelines approved by the State of California Office of Statewide Health Planning and Development (OSHPD). For additional load, spacing and placement information relating to OSHPD projects, please refer to our Seismic Engineering Guidelines, OPM-0052-13. For FM Approval information refer to FM Approved page 53.

**Installation Instructions:** The Fig. 828 is the structural attachment component of a longitudinal or lateral sway brace assembly. It is intended to be combined with a TOLCO transitional attachment, "bracing pipe" and a TOLCO "braced pipe" attachment to form a complete bracing assembly. NFPA 13 guidelines should be followed.

**To Install:** Slide the Fig. 828 on the flange of the beam, truss, or girder. Be sure the attachment is fully engaged to the rear of the opening. Tighten the cone point set screws until the heads break off. Remove the flange nut from the carriage bolt. Install a TOLCO swivel fitting (Fig. 909, 910, 980, \*986). Use flange nut to secure the swivel fitting.

\*Not UL listed when used in combination with Fig. 986

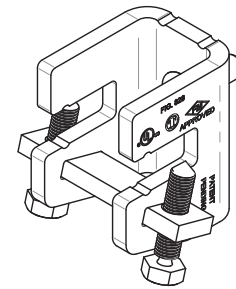
**Finish:** Plain or Electro-Galvanized

**Approx. Weight/100:** 341 Lbs. (154.7 kg)

**Order By:** Figure number and finish

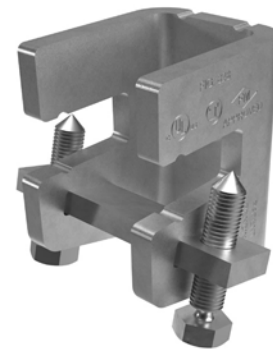
*Patent Pending*

**Note:** Retaining strap not required.



Set Screws and  $\frac{1}{2}$ " Attachment Bolt and Nut Included

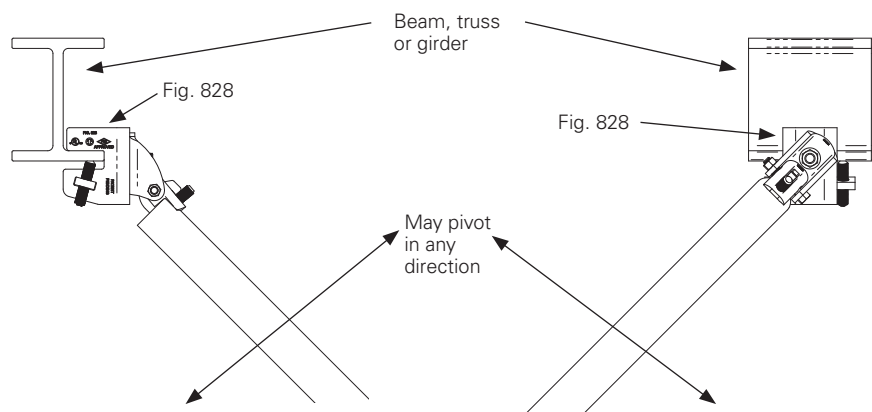
Flange thickness	Maximum UL Rated load
.375" - .499"	1090 lbs. (4.84kN)
.500" - .875"	1370 lbs. (6.09kN)



FM Approved Allowable Horizontal Load With Brace Perpendicular To Beam			
Brace Angle (degrees from vertical)			
30°-44°	45°-59°	60°-74°	75°-90°
980 (4.350kN)	2220 (9.780kN)	3340 (14.850kN)	4040 (17.970kN)

FM Approved Allowable Horizontal Load With Brace Parallel To Beam			
Brace Angle (degrees from vertical)			
30°-44°	45°-59°	60°-74°	75°-90°
820 (3.640kN)	1270 (5.640kN)	1490 (6.620kN)	1650 (7.330kN)



FM Approved design loads are based on ASD design method.

Eaton's B-Line series seismic bracing components are designed to be compatible only with other B-Line series bracing components, resulting in a listed seismic bracing assembly. Eaton B-Line Division warranty for seismic bracing components will be the warranty provided in Eaton B-Line Division standard terms and conditions of sale made available by Eaton, except that, in addition to the other exclusions from Eaton B-Line Division warranty, Eaton makes no warranty relating to B-Line series seismic bracing components that are combined with products not provided by Eaton.

## TOLCO Fig. 980 - Universal swivel sway brace attachment - 3/8" to 3/4" mounting hardware

## TOLCO Fig. 980H - Universal swivel sway brace attachment - 7/8" to 1 1/4" mounting hardware

**Size Range:** One size fits bracing pipe 1" (25mm) thru 2" (50mm), B-Line series 12 gauge (2.6mm) channel.

**Material:** Carbon steel

**Function:** Multi-functional attachment to structure or braced pipe fitting.

**Features:** This product's design incorporates a concentric attachment opening which is critical to the performance of structural seismic connections and in accordance with NFPA 13, 2019 Section 18.5.11.5. The Fig. 980 mounts to any surface angle and the break off bolt head assures verification of proper installation.

**Installation:** Fig.980 is the structural or transitional attachment component of a longitudinal or lateral sway brace assembly. It is intended to be combined with the "bracing pipe" and TOLCO™ "braced pipe" attachment, Fig. 1001, 2002, 3000, 4L or approved attachment to pipe to form a complete bracing assembly. NFPA 13 guidelines should be followed.

**To Install:** Place the Fig. 980 onto the "bracing pipe". Tighten the set bolt until the head breaks off. Attachment can pivot for adjustment to proper brace angle.

**Approvals:** —Underwriters Laboratories Listed in the USA (UL) and Canada (cUL). UL Listed for the following brace member type pipes: Sch. 40, KSD 3562. Ask the factory for additional information as it may vary by product size. Included in our Seismic Engineering Guidelines approved by the State of California Office of Statewide Health Planning and Development (OSHPD). For additional load, spacing and placement information relating to OSHPD projects, please refer to our Seismic Engineering Guidelines, OPM-0052-13. For FM Approval information refer to FM Approved page 61.

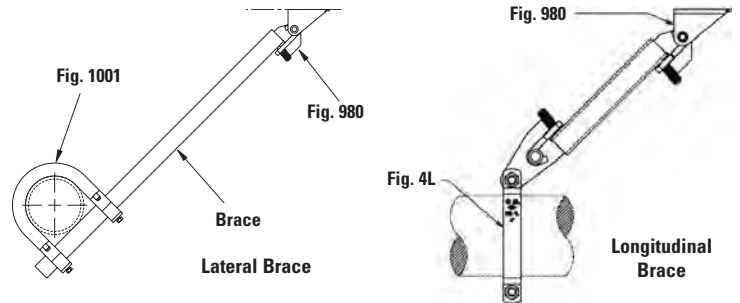
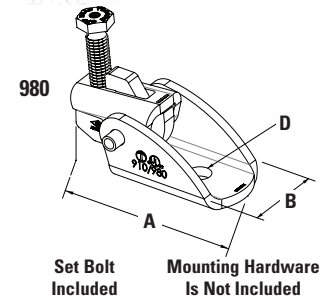
**Note:** Fig. 980 Swivel Attachment and Fig. 1001, 2002, 3000, 4L, or approved attachment to pipe make up a sway brace system of UL Listed attachments and bracing materials which satisfies the requirements of Underwriters Laboratories and the National Fire Protection Association (NFPA)

**Finish:** Plain, Electro-Galvanized or Stainless Steel.

Contact customer service for alternative finishes.

**Order By:** Figure number and finish.

Pat. #6,273,372, Pat. #6,517,030, Pat. #6,953,174,  
Pat. #6,708,930, Pat. #7,191,987, Pat. #7,441,730,  
Pat. #7,669,806



Catalog #	A		B		D**		Max. Design Load (cULus) lbs./ (kN)	Max. Design Load*** (FM)				Approx.Wt./100	
	in.	(mm)	in.	(mm)	in.	(mm)		30°-44° lbs./ (kN)	45°-59° lbs./ (kN)	60°-74° lbs./ (kN)	75°-90° lbs./ (kN)	lbs.	(kg)
980-3/8					7/16	(11.1)	1600 (7.12)					149	(67.6)
980-1/2	4 9/16	(114.9)	2 1/16	(52.4)	9/16	(14.3)	2100 (9.34)	2370	2790	3360	3750	148	(67.1)
980-5/8					11/16	(17.5)	2100 (9.34)	(10.54)	(12.41)	(14.94)	(16.68)	147	(66.7)
980-3/4					13/16	(20.6)	2100 (9.34)					146	(66.2)
980H-7/8					15/16	(23.8)	Fig. 980H is not UL Listed or FM Approved					402	(182.3)
980H-1	6 3/4	(171.4)	3 1/2	(88.9)	1 1/16	(27.0)	Fig. 980H is not UL Listed or FM Approved	Fig. 980H is not UL Listed or FM Approved				400	(181.4)
980H-1 1/8					1 3/16	(30.2)	397					(180.1)	
980H-1 1/4					1 5/16	(33.3)	390					(176.9)	

\* Sizes available in stainless steel (980S-3/8, 980S-1/2, 980S-5/8, and 980S-3/4) and have the same UL rating as what is listed.

\*\* Mounting attachment hole size.

\*\*\* Installed with 1" or 1 1/4" schedule 40 brace pipe.

Eaton's B-Line series seismic bracing components are designed to be compatible only with other B-Line series bracing components, resulting in a listed seismic bracing assembly. Eaton B-Line Division warranty for seismic bracing components will be the warranty provided in Eaton B-Line Division standard terms and conditions of sale made available by Eaton, except that, in addition to the other exclusions from Eaton B-Line Division warranty, Eaton makes no warranty relating to B-Line series seismic bracing components that are combined with products not provided by Eaton.

# Miscellaneous seismic fittings

## TOLCO Fig. 981 - Fast attach – universal swivel sway brace attachment

**Size Range:** Fits bracing pipe 1" (25mm) thru 2" (50mm), 12 gauge (2.6mm) channel and all structural steel up to 1/4" (6.3mm) thick.

Fig. 981-S fits rod sizes 3/8" thru 5/8".

Fig. 981-L fits rod sizes 3/4" thru 7/8".

**Material:** Steel

**Function:** Multi-functional attachment to hanger rod, trapeze rod, structure or braced pipe fitting.

**Features:** Fits multiple sizes of bracing pipe, strut or structural steel. Swivel allows adjustment to various surface angles. Breakaway bolt heads assure verification of proper installation torque. Unique "fast attach" yoke design fits multiple rod sizes; 3/8" thru 5/8" and 3/4" thru 7/8". "Stackable" design allows installation of both lateral and longitudinal braces to be easily installed on a single hanger rod, with no disassembly.

**Installation:** Fig. 981 is the "braced pipe" attachment component of a lateral or longitudinal brace assembly. It is intended to be combined with the pipe hanger, all-thread rod, "bracing pipe" and TOLCO transitional and structural attachment component(s) to form a complete bracing assembly. NFPA 13 and or OSHPD guidelines should be followed.

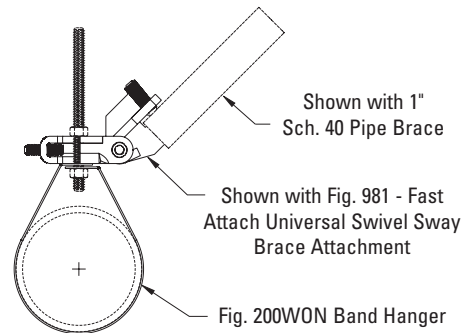
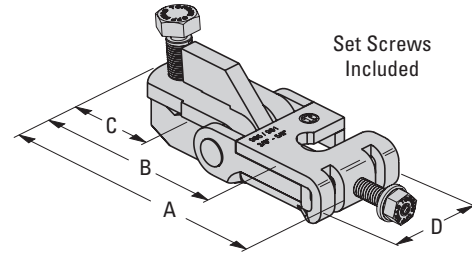
**To Install:** Spin nut on top of hanger counterclockwise to loosen the nut and raise it above the top of the hanger. Attach Fig. 981 by slipping the open side of the 981 yoke onto the all thread rod above the top of the hanger. Tighten 3/8" cone point set screw on yoke until head breaks-off to ensure proper installation torque. Spin the hex nut clockwise and tighten securely. Insert brace pipe into the jaw of the 981 and tighten the cone point set screw until the head breaks off ensuring proper installation torque. Pivot brace pipe to proper angle and attach to structure using a TOLCO swivel structural attachment.

**Finish:** Electro-Galvanized

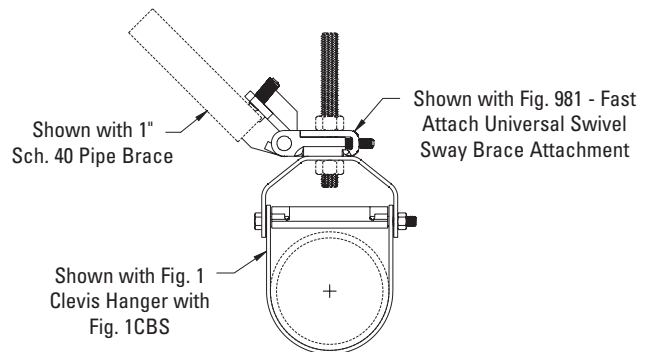
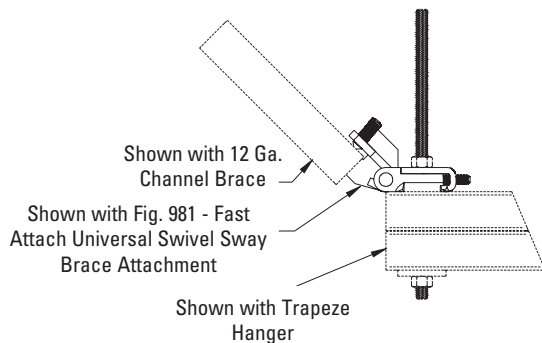
**Order By:** Figure number, rod size

### US Patent Numbers

Pat. #6,273,372, Pat. #7,097,141, Pat. #7,654,043, Pat. #7,654,043 B2



Part Number	Rod Size Range	A		B		C		D		Max. Horizontal Design Load lbs. (kN)	Approx. Wt./100 lbs. (kg)
		in.	(mm)	in.	(mm)	in.	(mm)	in.	(mm)		
981-S	3/8" thru 5/8"	5 1/8"	(130.2)	4 1/8"	(104.8)	1 1/4"	(31.7)	2 1/4"	(57.1)	2015 (8.96)	88 (39.9)
981-L	3/4" & 7/8"	5 1/8"	(130.2)	4 1/8"	(104.8)	1 1/4"	(31.7)	2 1/4"	(57.1)	2015 (8.96)	82 (37.2)



Reference page 106 for general fitting and standard finish specifications.

## TOLCO Fig. 985 - mechanical fast clamp

**Size Range:** Fig. 985-S fits rod sizes  $\frac{3}{8}$ " thru  $\frac{5}{8}$ "  
 Fig. 985-L fits rod sizes  $\frac{3}{4}$ " thru  $\frac{7}{8}$ " rod sizes

**Material:** Steel

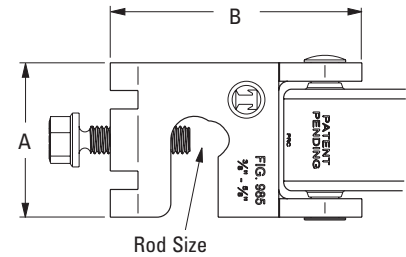
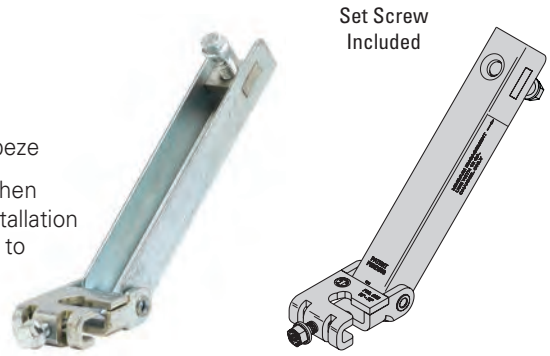
**Function:** Used for attachment of seismic bracing to pipe hanger or trapeze

**Features:** Allows up to 12" (304.8mm) of adjustability in brace length, when used with Fig. 986. Break-off set screw heads visually verify required installation torque. Unique "Fast Attach" yoke design allows Fig. 985 to be installed to hanger rods  $\frac{3}{8}$ " thru  $\frac{5}{8}$ " or  $\frac{3}{4}$ " thru  $\frac{7}{8}$ "

**Finish:** Electro-galvanized

**Order By:** Figure number, rod size & finish

*Patent Pending*



Part Number	Rod Size	A		B		Max. Horizontal Design Load lbs. (kN)	Approx. Wt./100 lbs. (kg)
		in. (mm)	in. (mm)	in. (mm)	in. (mm)		
985-S	$\frac{3}{8}$ " thru $\frac{5}{8}$ "	2" (50.8)	1 1/2" (38.1)	2" (50.8)	1 1/2" (38.1)	2015 (8.96)	204 (92.5)
985-L	$\frac{3}{4}$ " & $\frac{7}{8}$ "	2" (50.8)	1 5/8" (41.3)	2" (50.8)	1 5/8" (41.3)	2015 (8.96)	198 (89.8)

## TOLCO Fig. 986 - Mechanical Fast Clamp

**Size Range:** Available with holes for  $\frac{1}{2}$ "-13 thru  $\frac{3}{4}$ "-10 fastener attachment.

**Material:** Steel

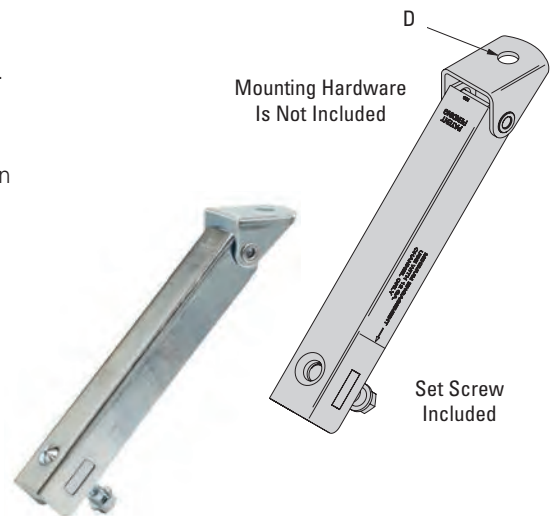
**Function:** Used for attachment of seismic bracing to structure or hanger.

**Features:** Allows up to 12" (304.8mm) of adjustability in brace length, when used with Fig. 985. Break-off set screw heads visually verify required installation torque. Swivel allows adjustment to various surface angles.

**Finish:** Electro-galvanized

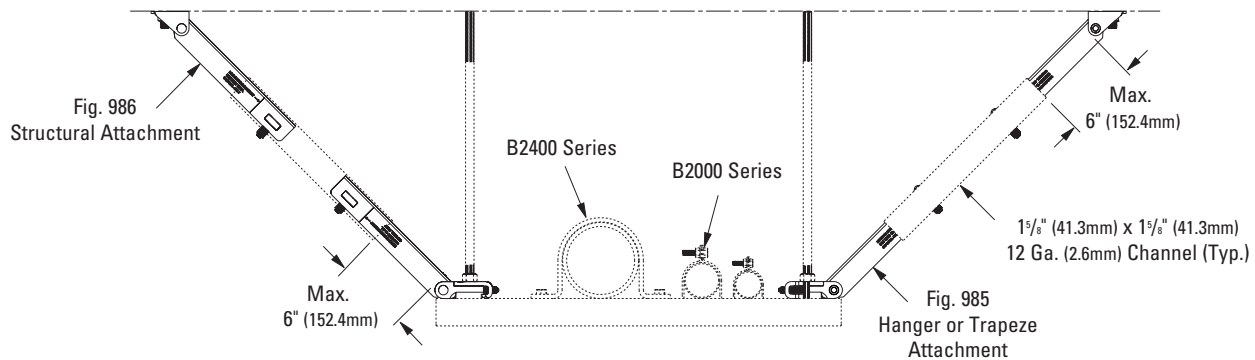
**Order By:** Figure number, rod size & finish

*Patent Pending*



Part Number	Rod Size	Hole Dia. D		Max. Horizontal Design Load* lbs. (kN)	Approx. Wt./100 lbs. (kg)
		in. (mm)	in. (mm)		
986-1/2	$\frac{1}{2}$ "	$\frac{9}{16}$ " (14.3)	$\frac{11}{16}$ " (17.5)	2015 (8.96)	204 (92.5)
986-5/8	$\frac{5}{8}$ "	$\frac{11}{16}$ " (17.5)	$\frac{13}{16}$ " (20.6)	2015 (8.96)	203 (92.1)
986-3/4	$\frac{3}{4}$ "	$\frac{13}{16}$ " (20.6)		2015 (8.96)	202 (91.6)

\* When used with  $1\frac{5}{8}$ " (41.3mm) x  $1\frac{5}{8}$ " (41.3mm) 12 Ga. (2.6mm) channel



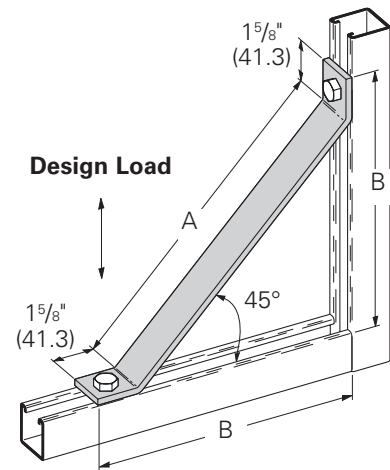
Reference page 106 for general fitting and standard finish specifications.

# Braces

## B261 - Two Hole 45° Knee Brace

- Standard finishes: ZN, GRN
- Design load determined by testing using a B335 hinged corner connection.
- Load ratings are for brace members only. Do not exceed allowable beam or column loads for strut channels.
- Safety Factor of 3

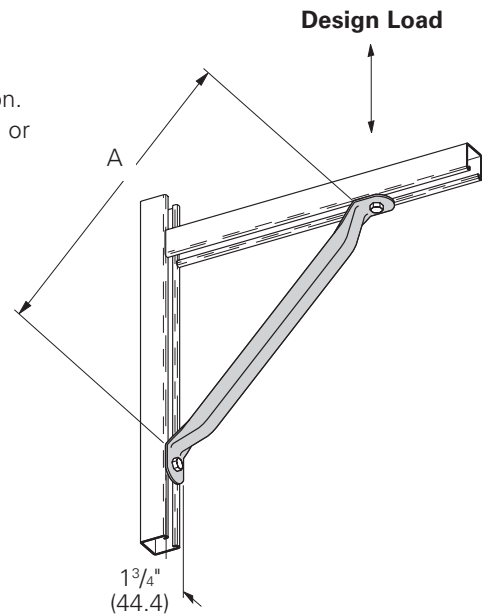
Part No.	A		B		Design Load		Wt./C	
	In.	mm	In.	mm	Lbs.	kN	Lbs.	kg
B261-8	8"	(203.2)	7 <sup>3</sup> / <sub>8</sub> "	(187.3)	1500	(6.67)	119	(54.0)
B261-12	12"	(304.8)	10 <sup>1</sup> / <sub>8</sub> "	(257.2)	1020	(4.54)	165	(74.8)
B261-16	16 <sup>5</sup> / <sub>8</sub> "	(422.3)	13 <sup>3</sup> / <sub>8</sub> "	(339.7)	530	(2.36)	218	(98.9)
B261-18	18"	(457.2)	14 <sup>7</sup> / <sub>16</sub> "	(366.7)	450	(2.00)	234	(106.1)
B261-24	24"	(609.6)	18 <sup>1</sup> / <sub>16</sub> "	(474.7)	250	(1.11)	303	(137.4)
B261-36	36"	(914.4)	27 <sup>3</sup> / <sub>16</sub> "	(690.6)	110	(.49)	441	(200.0)



## B631 - Two Hole 45° Tubing Knee Brace

- 1" (25.4) Square steel tubing
- Material: ASTM A513
- Standard finishes: ZN, GRN
- Design load determined by testing using a B335 hinged corner connection.
- Load ratings are for brace members only. Do not exceed allowable beam or column loads for strut channels.
- Safety Factor of 3

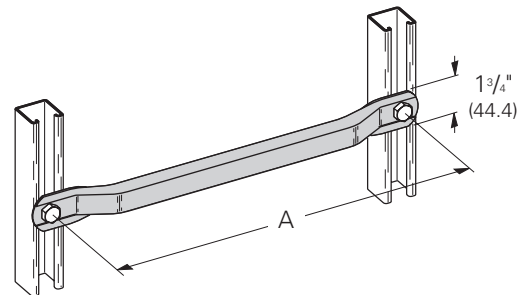
Part No.	A		Design Load		Wt./C	
	In.	mm	Lbs.	kN	Lbs.	kg
B631-18	18"	(457.2)	1500	(6.67)	145	(65.8)
B631-24	24"	(609.6)	1500	(6.67)	186	(84.4)
B631-30	30"	(762.0)	1500	(6.67)	225	(102.0)
B631-36	36"	(914.4)	1500	(6.67)	266	(120.6)
B631-42	42"	(1066.8)	1230	(5.47)	307	(139.2)
B631-48	48"	(1219.2)	940	(4.18)	348	(157.8)
B631-54	54"	(1371.6)	740	(3.29)	389	(176.4)
B631-60	60"	(1524.0)	600	(2.67)	430	(195.0)
B631-72	72"	(1828.8)	420	(1.87)	508	(230.4)
B631-84	84"	(2133.6)	310	(1.38)	589	(267.2)
B631-96	96"	(2438.4)	240	(1.07)	669	(303.5)



## B632 - Two Hole Straight Tubing Brace

- 1" (25.4) Square steel tubing
- Material: ASTM A513
- Standard finishes: ZN, GRN

Part No.	A		Wt./C	
	In.	mm	Lbs.	kg
B632-18	18"	(457.2)	133	(60.3)
B632-24	24"	(609.6)	174	(78.9)
B632-30	30"	(762.0)	215	(97.5)
B632-36	36"	(914.4)	256	(116.1)
B632-42	42"	(1066.8)	295	(133.8)
B632-48	48"	(1219.2)	335	(151.9)
B632-54	54"	(1371.6)	380	(172.3)
B632-60	60"	(1524.0)	420	(190.5)
B632-72	72"	(1828.8)	500	(226.8)
B632-84	84"	(2133.6)	585	(265.3)
B632-96	96"	(2438.4)	670	(303.9)

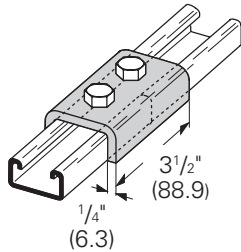


Reference page 106 for general fitting and standard finish specifications.



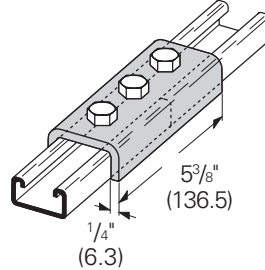
## B169 Two Hole Splice Clevis For B52

- Standard finishes: ZN, GRN
- Wt./C 84 Lbs. (38.1 kg)



## B168 Three Hole Splice Clevis For B52

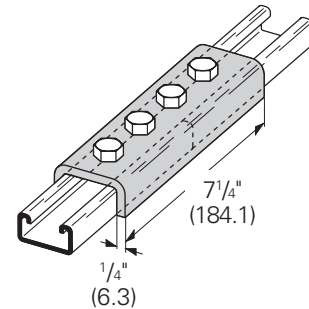
- Standard finishes: ZN, GRN
- Wt./C 126 Lbs. (57.1 kg)



## B167 Four Hole Splice Clevis For B52

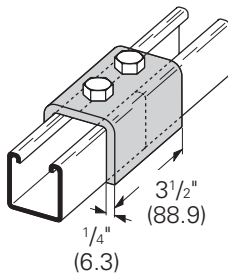
- Standard finishes: ZN, GRN
- Wt./C 178 Lbs. (80.7 kg)

PA GRN



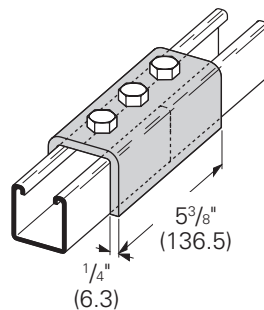
## B170 Two Hole Splice Clevis For B22 or B52A

- Standard finishes: ZN, GRN
- Wt./C 123 Lbs. (55.8 kg)



## B171 Three Hole Splice Clevis For B22 or B52A

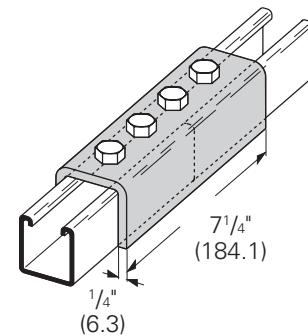
- Standard finishes: ZN, GRN
- Wt./C 195 Lbs. (88.4 kg)



## B172 Four Hole Splice Clevis For B22 or B52A

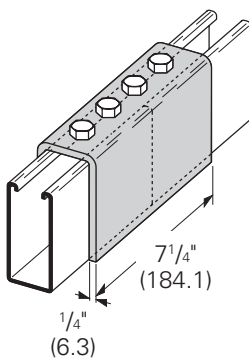
- Standard finishes: ZN, GRN
- Wt./C 266 Lbs. (120.6 kg)

PA ZN  
GRN



## B172-12 Four Hole Splice Clevis For B12

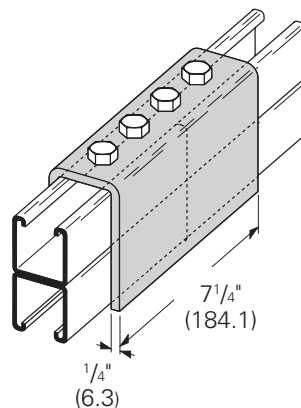
- Standard finishes: ZN, GRN
- Wt./C 326 Lbs. (147.8 kg)



## B172-22A Four Hole Splice Clevis For B11 or B22A

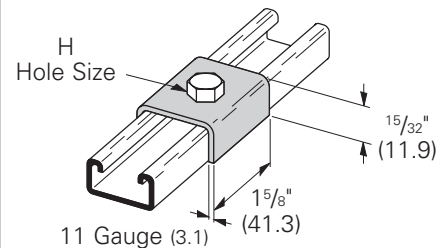
- Standard finishes: ZN, GRN
- Wt./C 406 Lbs. (184.1 kg)

PA GRN



## B450 U-Washer

- Material: ASTM A1011 HSLAS Gr. 50
- Standard finishes: ZN, GRN



Part No. & Size	Hole Size H Lbs. kg	Wt./C Lbs. kg
B450-1/4	5/16" (7.9)	14 (6.3)
B450-3/8	7/16" (11.1)	14 (6.3)
B450-1/2	9/16" (14.3)	13 (5.8)
B450-5/8	11/16" (17.4)	13 (5.8)
B450-3/4	13/16" (20.6)	13 (5.8)

PA Pre-assembled fitting.

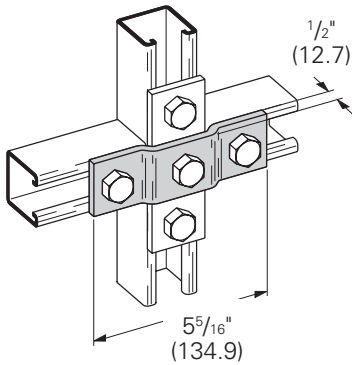
Reference page 106 for general fitting and standard finish specifications.



# 'U' Fittings

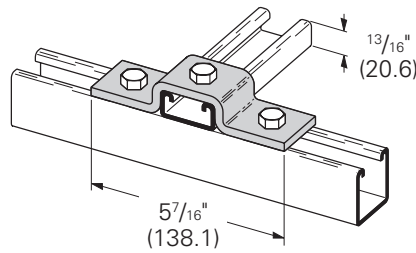
**B527**  
**Three hole offset plate connection**

- Standard finishes: ZN, GRN
- Wt./C 54 Lbs. (24.5 kg)



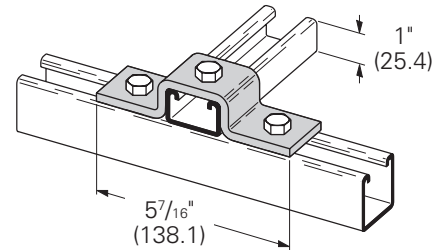
**B116-52**  
**Three hole u-support**

- Standard finishes: ZN, GRN
- Wt./C 70 Lbs. (31.7 kg)



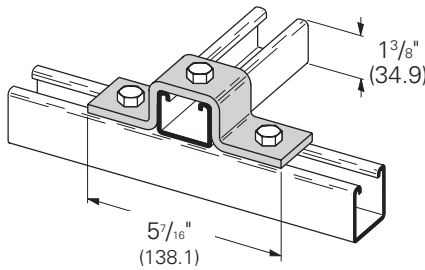
**B116-42**  
**Three hole U-support**

- Standard finishes: ZN, GRN
- Wt./C 75 Lbs. (34.0 kg)



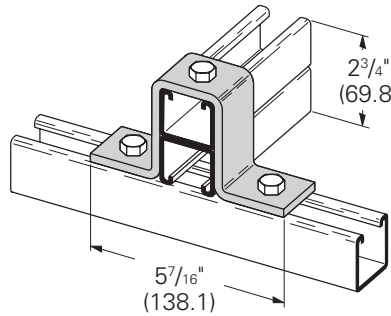
**B116-32**  
**Three Hole U-Support**

- Standard finishes: ZN, GRN
- Wt./C 84 Lbs. (38.1 kg)



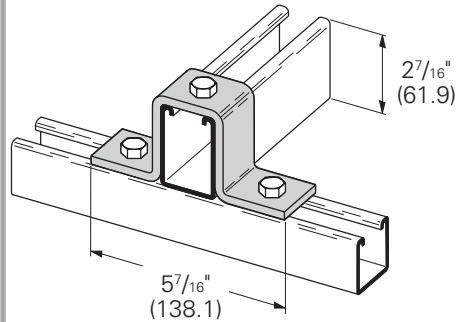
**B116-32A**  
**Three Hole U-Support**

- Standard finishes: ZN, GRN
- Wt./C 116 Lbs. (52.6 kg)



**B116-12**  
**Three Hole U-Support**

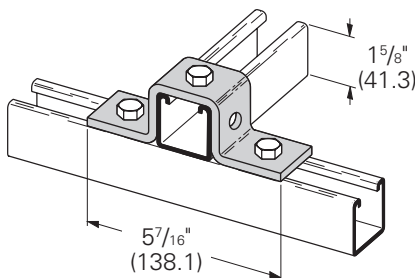
- Standard finishes: ZN, GRN
- Wt./C 108 Lbs. (49.0 kg)



**B107**  
**Five Hole U-Support**

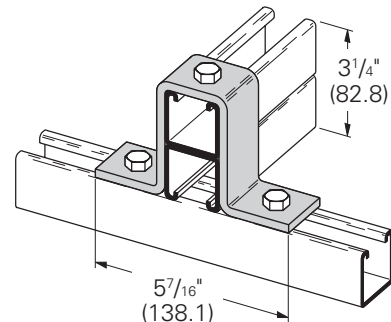
- Standard finishes: ZN, GRN, HDG
- Wt./C 85 Lbs. (38.5 kg)

**PA** ZN  
GRN



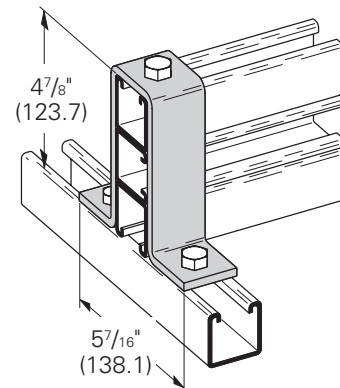
**B107-22A**  
**Three Hole U-Support**

- Standard finishes: ZN, GRN
- Wt./C 126 Lbs. (57.1 kg)



**B588**  
**Three Hole U-Support**

- Standard finishes: ZN, GRN
- Wt./C 157 Lbs. (71.2 kg)

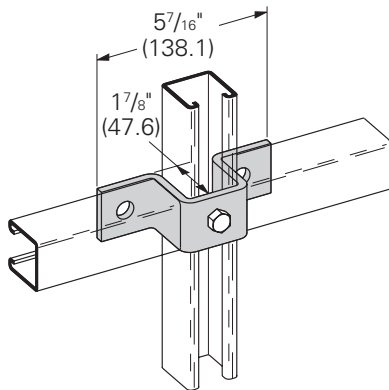


**PA** Pre-assembled fitting.

Reference page 106 for general fitting and standard finish specifications.

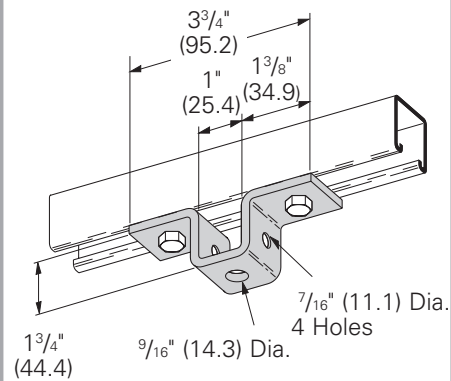
**B412**  
**Three Hole**  
**Offset U-Support**

- Standard finishes: ZN, GRN
- Wt./C 89 Lbs. (40.3 kg)



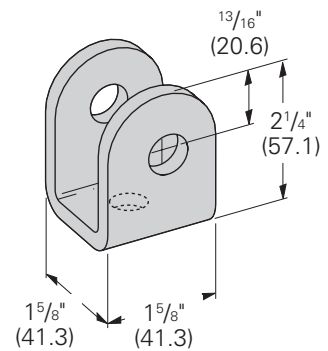
**B107S**  
**Five Hole U-Support**

- Material: 7 Gauge (4.5)  
ASTM A1011 33,000 PSI min. yield
- Standard finishes: ZN, GRN
- Wt./C 51 Lbs. (23.1 kg)



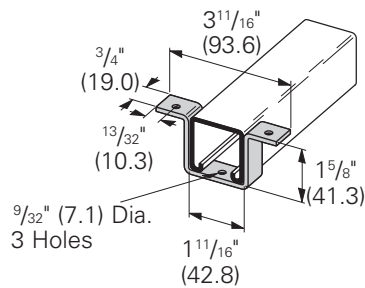
**B596**  
**Three Hole Swivel Clevis**

- Material: 7 Gauge (4.5)
- Standard finishes: ZN, GRN
- Wt./C 53 Lbs. (24.0 kg)



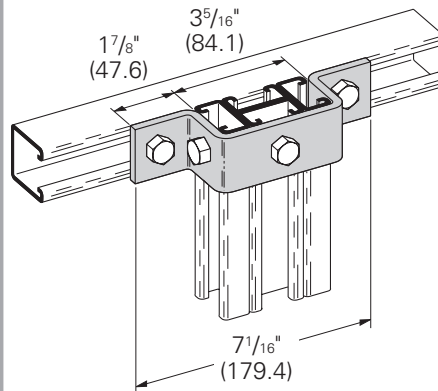
**B578**  
**Three Hole Light-Weight**  
**U-Support**

- Material: 10 Gauge (3.4)  
ASTM A1011 HSLAS Gr. 50
- Standard finishes: ZN, GRN
- Wt./C 18 Lbs. (8.1 kg)



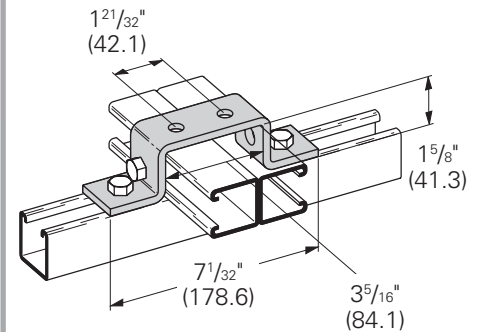
**B594**  
**Five Hole U-Support**

- Standard finishes: ZN, GRN
- Wt./C 106 Lbs. (48.1 kg)



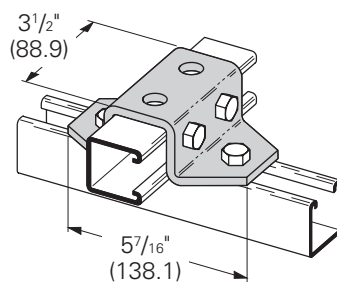
**B266**  
**Six Hole U-Support**

- Standard finishes: ZN, GRN
- Wt./C 105 Lbs. (47.6 kg)



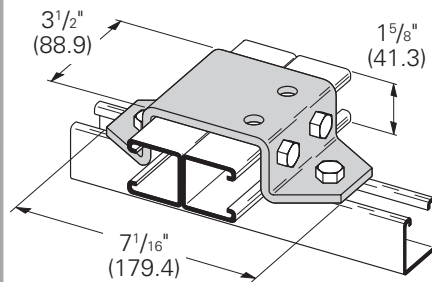
**B425**  
**Six Hole U-Support**

- Standard finishes: ZN, GRN
- Wt./C 167 Lbs. (75.7 kg)



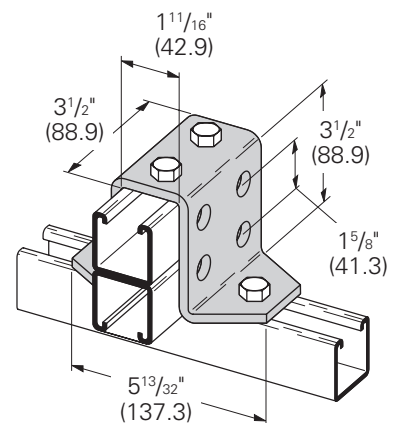
**B581**  
**Eight Hole U-Support**

- Standard finishes: ZN, GRN
- Wt./C 201 Lbs. (91.2 kg)



**B519**  
**Eight Hole U-Support**

- Standard finishes: ZN, GRN
- Wt./C 266 Lbs. (102.5 kg)

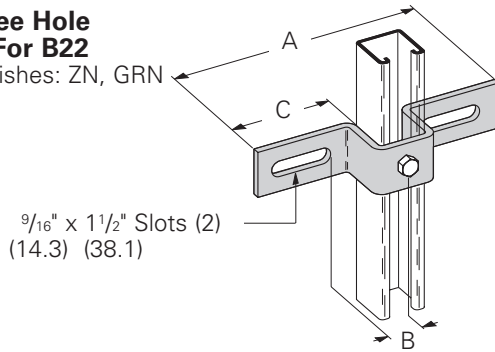


Reference page 106 for general fitting and standard finish specifications.

# 'U' Fittings

## B333 Slotted Three Hole U-Support For B22

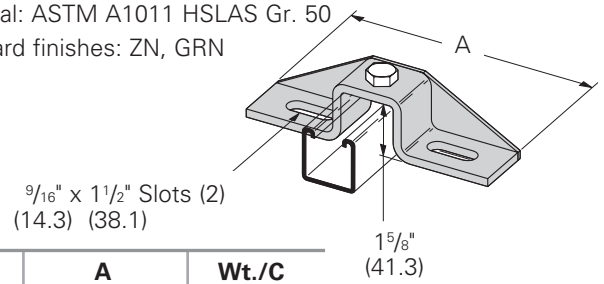
- Standard finishes: ZN, GRN



Part No.	A		B		C		Wt./C	
	In.	mm	In.	mm	In.	mm	Lbs.	kg
B333-1	7 <sup>1</sup> / <sub>2</sub> "	(190.5)	1 <sup>5</sup> / <sub>16</sub> "	(38.3)	2 <sup>7</sup> / <sub>8</sub> "	(73.0)	103	(46.7)
B333-2	8 <sup>1</sup> / <sub>2</sub> "	(215.9)	1 <sup>5</sup> / <sub>16</sub> "	(49.2)	3 <sup>3</sup> / <sub>8</sub> "	(85.7)	115	(52.1)
B333-3	10 <sup>3</sup> / <sub>8</sub> "	(263.5)	2 <sup>7</sup> / <sub>8</sub> "	(73.0)	4 <sup>5</sup> / <sub>16</sub> "	(109.5)	135	(61.2)

## B451 Slotted Three Hole U-Support With Gusset For B22

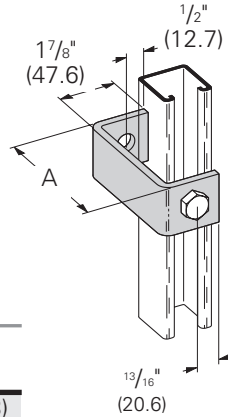
- Consists of B333-1, 2, or 3 with gusset plate welded on back.
- Material: ASTM A1011 HSLAS Gr. 50
- Standard finishes: ZN, GRN



Part No.	A		Wt./C	
	In.	mm	Lbs.	kg
B451-1	7 <sup>1</sup> / <sub>2</sub> "	(190.5)	137	(62.1)
B451-2	8 <sup>1</sup> / <sub>2</sub> "	(215.9)	156	(70.7)
B451-3	10 <sup>3</sup> / <sub>8</sub> "	(263.5)	172	(78.0)

## B408 Two Hole Bus Duct Clevis

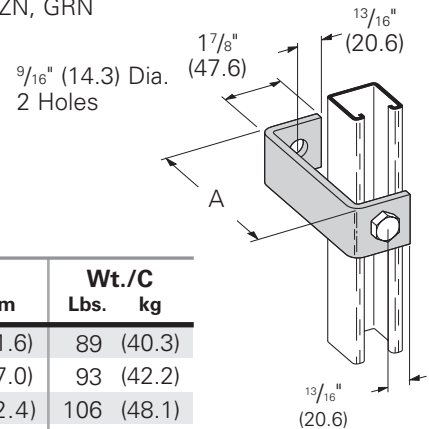
- Standard finishes: ZN, GRN



Part No.	A		Wt./C	
	In.	mm	Lbs.	kg
B408-1	2 <sup>13</sup> / <sub>32</sub> "	(61.1)	58	(26.3)
B408-2	3 <sup>25</sup> / <sub>32</sub> "	(96.0)	76	(34.5)
B408-3	4 <sup>3</sup> / <sub>4</sub> "	(762.0)	88	(39.9)

## B358 Two Hole Clevis

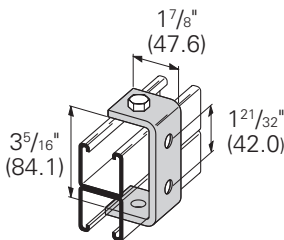
- Standard finishes: ZN, GRN



Part No.	A		Wt./C	
	In.	mm	Lbs.	kg
B358-4	4"	(101.6)	89	(40.3)
B358-5	5"	(127.0)	93	(42.2)
B358-6	6"	(152.4)	106	(48.1)
B358-7	7"	(177.8)	118	(53.5)
B358-8	8"	(203.2)	132	(59.9)

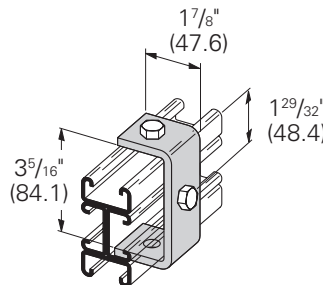
## B173 Four Hole Clevis

- Standard finishes: ZN, GRN
- Wt./C 71 Lbs. (32.2 kg)



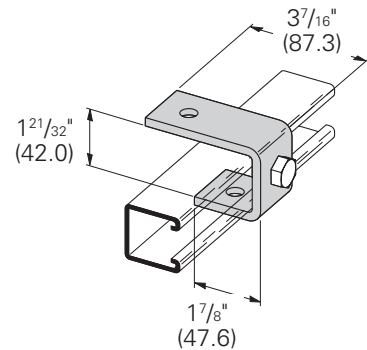
## B595 Three Hole Clevis

- Standard finishes: ZN, GRN
- Wt./C 75 Lbs. (34.0 kg)



## B405 Three Hole Suspension Clevis

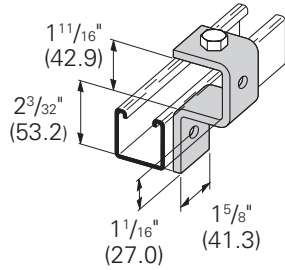
- Standard finishes: ZN, GRN
- Wt./C 75 Lbs. (34.0 kg)



Reference page 106 for general fitting and standard finish specifications.

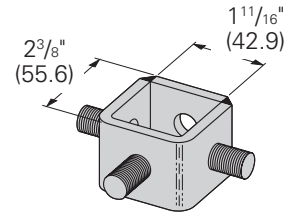
**B398-1**  
**Three Hole Cup Support**

- Standard finishes: ZN, GRN
- Wt./C 73 Lbs. (33.1 kg)



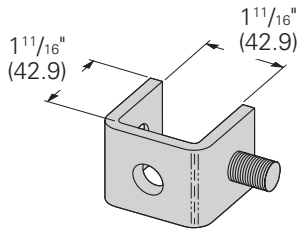
**B400**  
**Three Stud Ring Connection**

- 1/2"-13 stud protrudes 1" (25.4mm)
- Standard finishes: ZN
- Wt./C 85 Lbs. (38.5 kg)



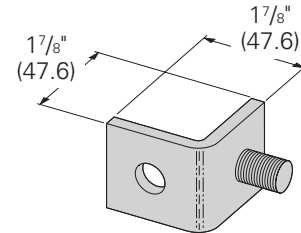
**B400-1**  
**One Stud Ring Connection**

- 1/2"-13 stud protrudes 1" (25.4mm)
- Standard finishes: ZN
- Wt./C 53 Lbs. (24.0 kg)



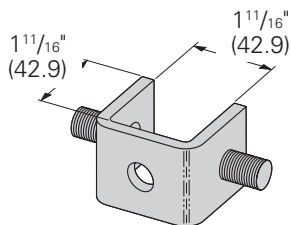
**B400-2**  
**One Stud Ring Connection**

- 1/2"-13 stud protrudes 1" (25.4mm)
- Standard finishes: ZN
- Wt./C 40 Lbs. (18.1 kg)



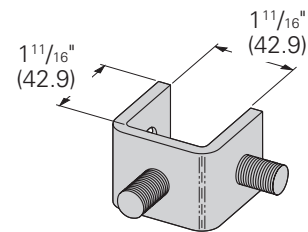
**B400-3**  
**Two Stud Ring Connection**

- 1/2"-13 stud protrudes 1" (25.4mm)
- Standard finishes: ZN
- Wt./C 59 Lbs. (26.7 kg)



**B400-4**  
**Two Stud Ring Connection**

- 1/2"-13 stud protrudes 1" (25.4mm)
- Standard finishes: ZN
- Wt./C 59 Lbs. (26.7 kg)

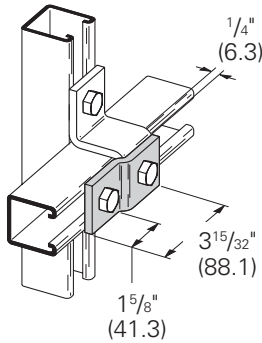


Reference page 106 for general fitting and standard finish specifications.

# 'Z' Fittings

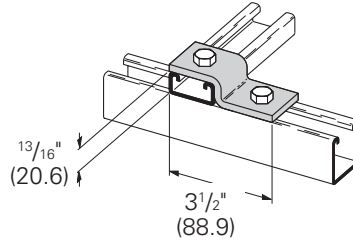
## B526 Two Hole Offset Z-Support

- Standard finishes: ZN, GRN
- Wt./C 38 Lbs. (17.2 kg)



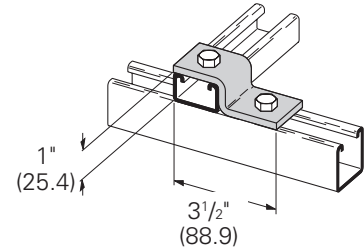
## B106-52 Two Hole Offset Z-Support for B52

- Standard finishes: ZN, GRN
- Wt./C 40 Lbs. (18.1 kg)



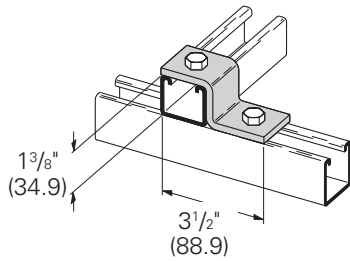
## B106-42 Two Hole Offset Z-Support for B42

- Standard finishes: ZN, GRN
- Wt./C 44 Lbs. (20.0 kg)



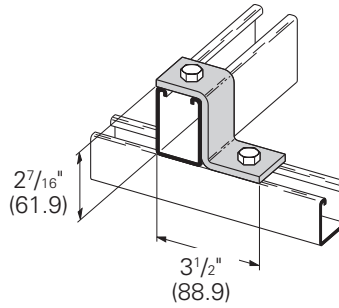
## B106-32 Two Hole Offset Z-Support for B32

- Standard finishes: ZN, GRN
- Wt./C 51 Lbs. (23.1 kg)



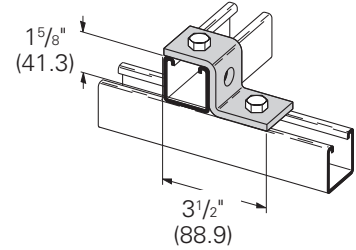
## B106-12 Two Hole Offset Z-Support for B12

- Standard finishes: ZN, GRN
- Wt./C 63 Lbs. (28.6 kg)



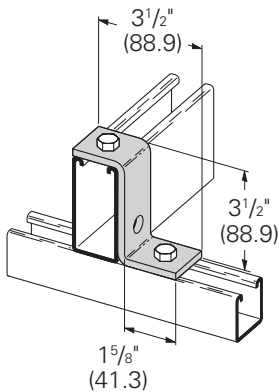
## B105 Three Hole Offset Z-Support for B22

- Standard finishes: ZN, GRN, HDG
- Wt./C 51 Lbs. (23.1 kg)



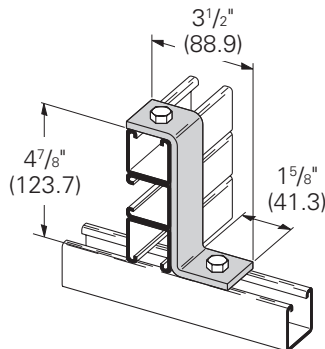
## B110 Three Hole Offset Z-Support for B11

- Standard finishes: ZN, GRN
- Wt./C 70 Lbs. (31.7 kg)



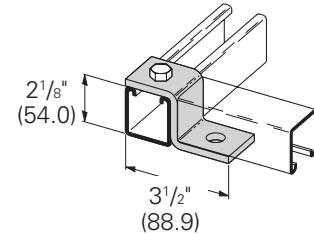
## B586 Two Hole Z-Support

- Standard finishes: ZN, GRN
- Wt./C 90 Lbs. (40.8 kg)



## B108 Two Hole Offset Z-Support

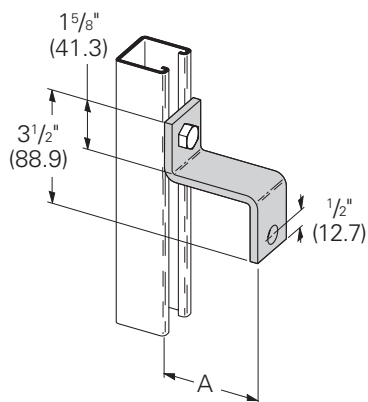
- Standard finishes: ZN, GRN
- Wt./C 55 Lbs. (24.9 kg)



Reference page 106 for general fitting and standard finish specifications.

## B387 Two Hole Z-Bus Duct Connection

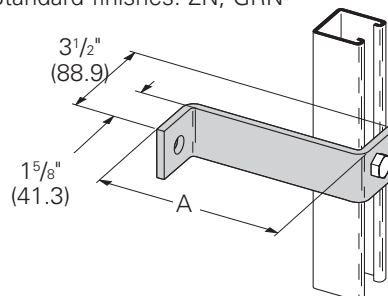
- Standard finishes: ZN, GRN



Part No.	A In. mm	Wt./C Lbs. kg
<b>B387</b>	4 <sup>3</sup> / <sub>4</sub> " (120.6)	89 (40.3)
<b>B387-1</b>	3 <sup>25</sup> / <sub>32</sub> " (96.0)	78 (35.4)
<b>B387-2</b>	2 <sup>13</sup> / <sub>32</sub> " (61.1)	62 (28.1)

## B407 Two Hole Z-Support

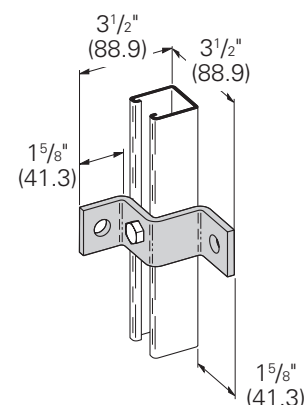
- Standard finishes: ZN, GRN



Part No.	A In. mm	Wt./C Lbs. kg
<b>B407-4</b>	4" (101.6)	77 (34.9)
<b>B407-5</b>	5" (127.0)	95 (43.1)
<b>B407-6</b>	6" (152.4)	98 (44.4)
<b>B407-7</b>	7" (177.8)	105 (47.6)
<b>B407-8</b>	8" (203.2)	120 (54.4)
<b>B407-9<sup>5</sup>/<sub>8</sub></b>	9 <sup>5</sup> / <sub>8</sub> " (244.5)	138 (62.6)

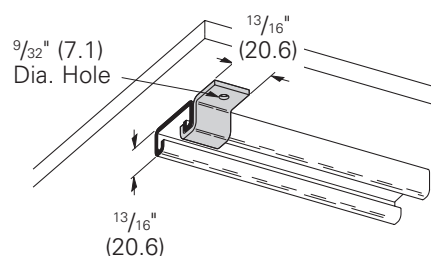
## B111 Three Hole Sheath Corner Connection

- Standard finishes: ZN, GRN
- Wt./C 68 Lbs. (30.8 kg)



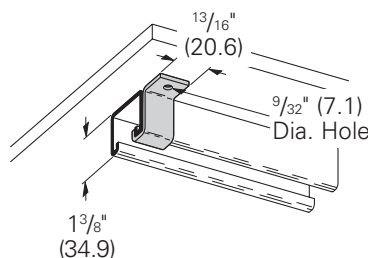
## B410-52 Channel Hanger Bracket for B52

- Material: 11 Gauge (3.0) ASTM A1011 HSLAS Gr. 50
- Standard finishes: ZN, GRN
- Wt./C 6.7 Lbs. (3.0 kg)



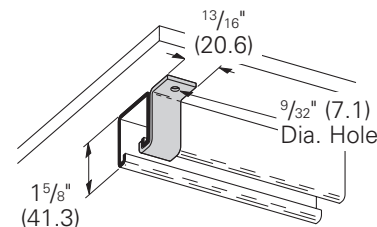
## B410-32 Channel Hanger Bracket for B32

- Material: 11 Gauge (3.0) ASTM A1011 HSLAS Gr. 50
- Standard finishes: ZN, GRN
- Wt./C 8.3 Lbs. (3.7 kg)



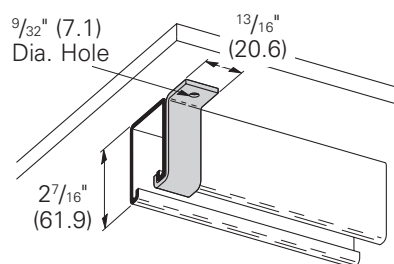
## B410-22 Channel Hanger Bracket for B22

- Material: 11 Gauge (3.0) ASTM A1011 HSLAS Gr. 50
- Standard finishes: ZN, GRN
- Wt./C 9 Lbs. (4.1 kg)



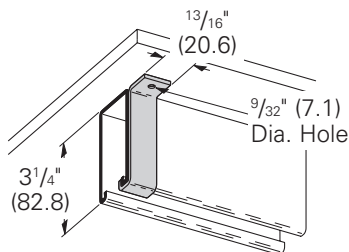
## B410-12 Channel Hanger Bracket for B12

- Material: 11 Gauge (3.0) ASTM A1011 HSLAS Gr. 50
- Standard finishes: ZN, GRN
- Wt./C 11.2 Lbs. (5.1 kg)



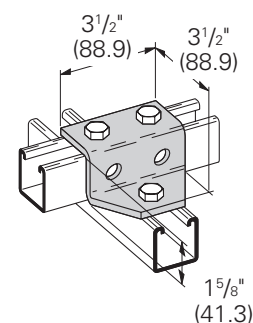
## B410-11 Channel Hanger Bracket for B11

- Material: 11 Gauge (3.0) ASTM A1011 HSLAS Gr. 50
- Standard finishes: ZN, GRN
- Wt./C 13.4 Lbs. (6.1 kg)



## B580 Five Hole Gussetted Z-Support

- Standard finishes: ZN, GRN
- Wt./C 100 Lbs. (45.3 kg)



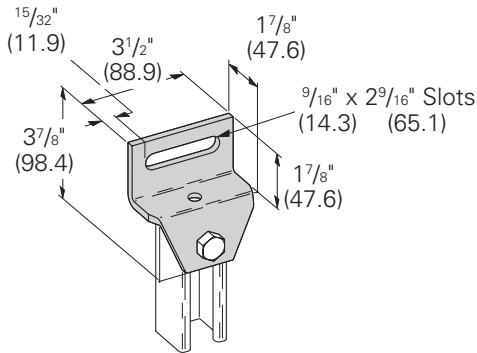
Reference page 106 for general fitting and standard finish specifications.



# 'Z' & Wing fittings

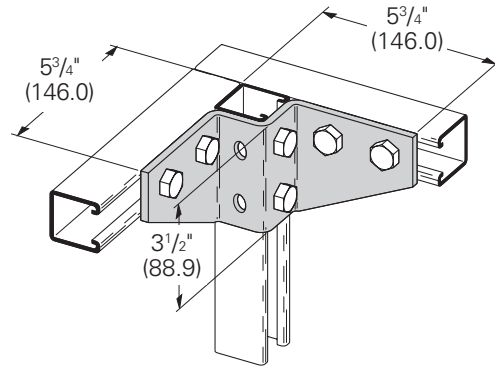
## B515 Adjustable Offset Gusseted Z-Support

- Standard finishes: ZN, GRN
- Wt./C 93 Lbs. (42.2 kg)



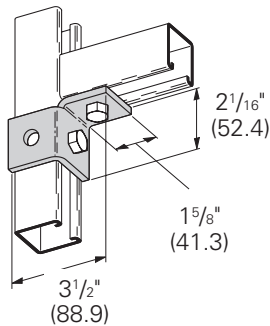
## B428 Eight Hole Gusseted Corner Connection

- Standard finishes: ZN, GRN
- Wt./C 203 Lbs. (92.1 kg)



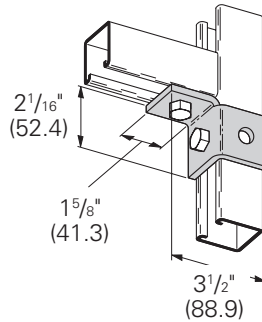
## B267R Three Hole Single Corner Connection (Right Hand)

- Standard finishes: ZN, GRN
- Wt./C 54 Lbs. (24.5 kg)



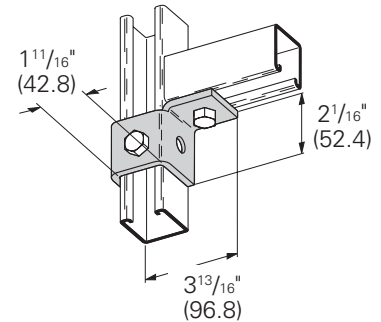
## B267L Three Hole Single Corner Connection (Left Hand)

- Standard finishes: ZN, GRN
- Wt./C 54 Lbs. (24.5 kg)



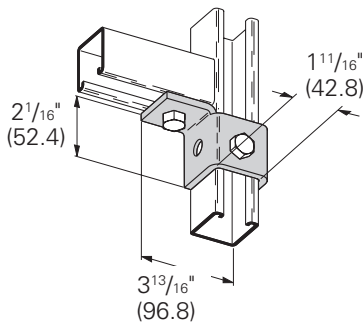
## B270R Four Hole Single Corner Connection (Right Hand)

- Standard finishes: ZN, GRN
- Wt./C 77 Lbs. (34.9 kg)



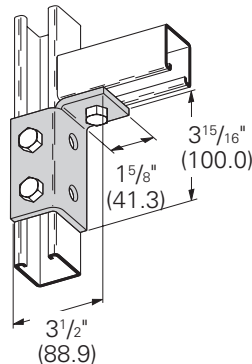
## B270L Four Hole Single Corner Connection (Left Hand)

- Standard finishes: ZN, GRN
- Wt./C 77 Lbs. (34.9 kg)



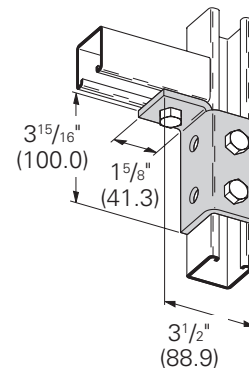
## B268R Five Hole Single Corner Connection (Right Hand)

- Standard finishes: ZN, GRN
- Wt./C 100 Lbs. (45.3 kg)



## B268L Five Hole Single Corner Connection (Left Hand)

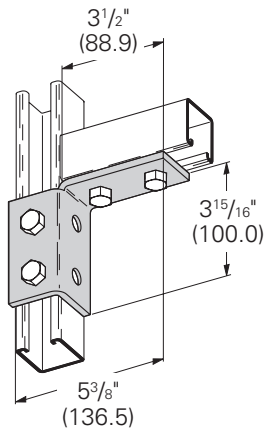
- Standard finishes: ZN, GRN
- Wt./C 100 Lbs. (45.3 kg)



Reference page 106 for general fitting and standard finish specifications.

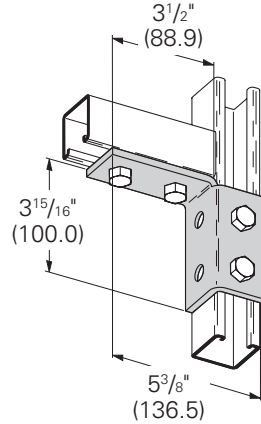
**B269R**  
**Six Hole Single Corner Connection (Right Hand)**

- Standard finishes: ZN, GRN
- Wt./C 120 Lbs. (54.4 kg)



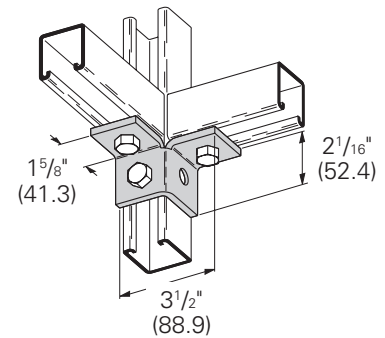
**B269L**  
**Six Hole Single Corner Connection (Left Hand)**

- Standard finishes: ZN, GRN
- Wt./C 120 Lbs. (54.4 kg)



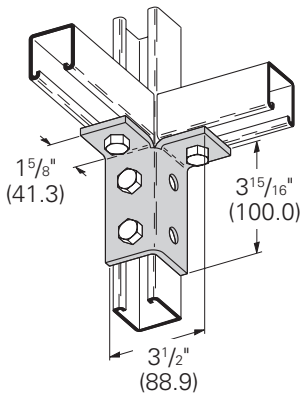
**B119**  
**Six Hole Double Corner Connection**

- Standard finishes: ZN, GRN
- Wt./C 71 Lbs. (32.2 kg)



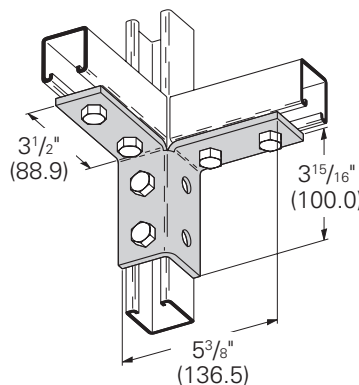
**B120**  
**Six Hole Double Corner Connection**

- Standard finishes: ZN, GRN
- Wt./C 110 Lbs. (49.9 kg)



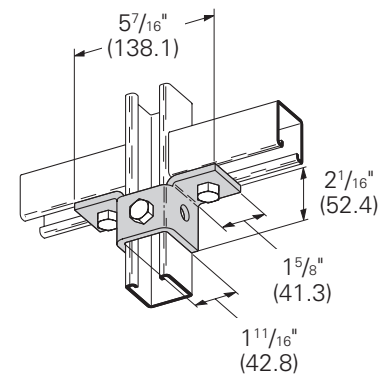
**B121**  
**Eight Hole Double Corner Connection**

- Standard finishes: ZN, GRN
- Wt./C 152 Lbs. (68.9 kg)



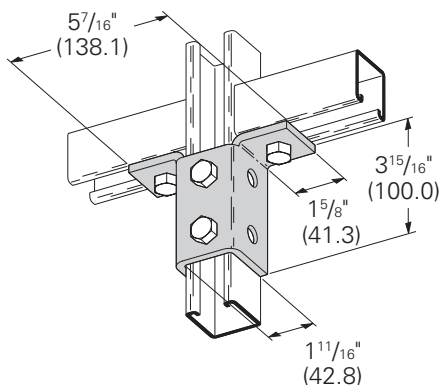
**B271**  
**Five Hole Double Wing Connection**

- Standard finishes: ZN, GRN
- Wt./C 95 Lbs. (43.1 kg)



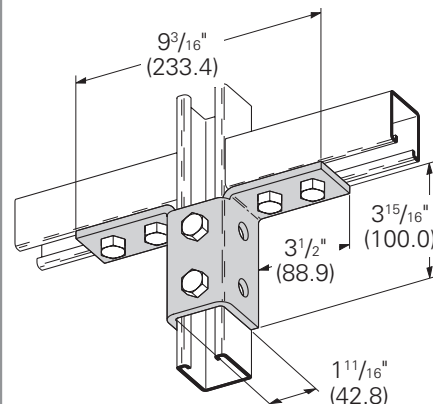
**B272**  
**Eight Hole Double Wing Connection**

- Standard finishes: ZN, GRN
- Wt./C 156 Lbs. (70.7 kg)



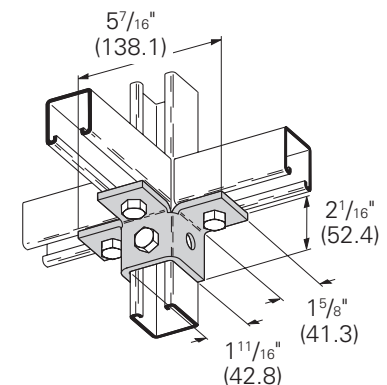
**B273**  
**Ten Hole Double Wing Connection**

- Standard finishes: ZN, GRN
- Wt./C 185 Lbs. (83.9 kg)



**B122**  
**Six Hole Triple Wing Connection**

- Standard finishes: ZN, GRN
- Wt./C 110 Lbs. (49.9 kg)

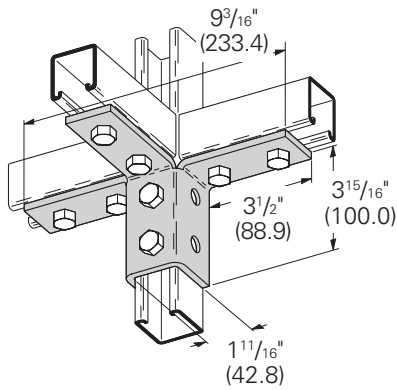


Reference page 106 for general fitting and standard finish specifications.

# Wing fittings

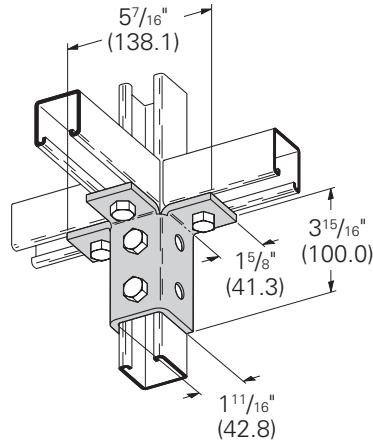
## B123 Twelve Hole Triple Wing Connection

- Standard finishes: ZN, GRN
- Wt./C 234 Lbs. (106.1 kg)



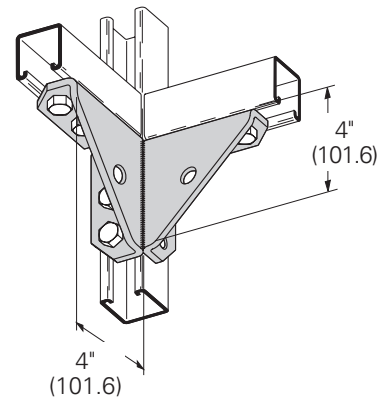
## B124 Nine Hole Triple Wing Connection

- Standard finishes: ZN, GRN
- Wt./C 177 Lbs. (80.3 kg)



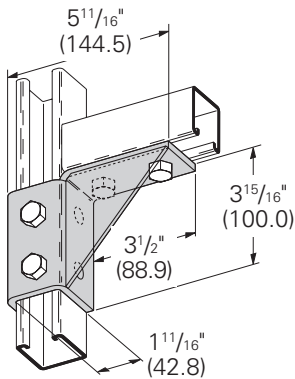
## B276 Fourteen Hole Double Corner Gusseted Connection

- Standard finishes: ZN, GRN
- Wt./C 196 Lbs. (88.9 kg)



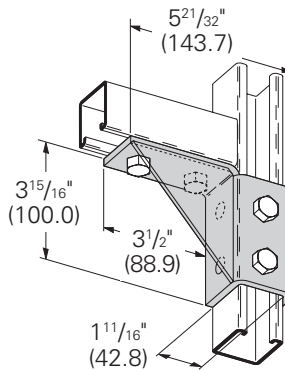
## B274R Eight Hole Single Corner Gusseted Connection (Right Hand)

- Standard finishes: ZN, GRN
- Wt./C 176 Lbs. (79.8 kg)



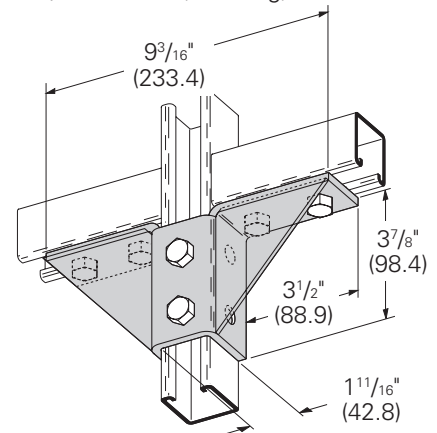
## B274L Eight Hole Single Corner Gusseted Connection (Left Hand)

- Standard finishes: ZN, GRN
- Wt./C 176 Lbs. (79.8 kg)



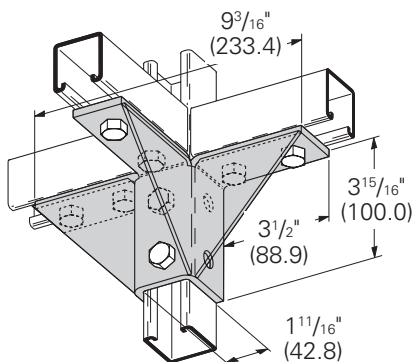
## B495 Ten Hole Double Wing Gusseted Connection

- Standard finishes: ZN, GRN
- Wt./C 240 Lbs. (108.8 kg)



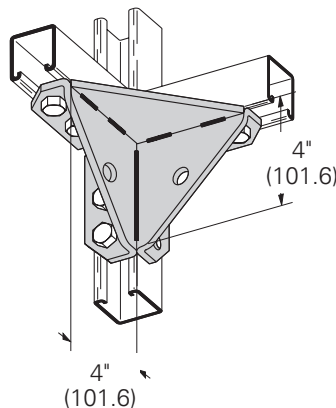
## B277 Twelve Hole Triple Wing Gusseted Connection

- Standard finishes: ZN, GRN
- Wt./C 285 Lbs. (129.3 kg)



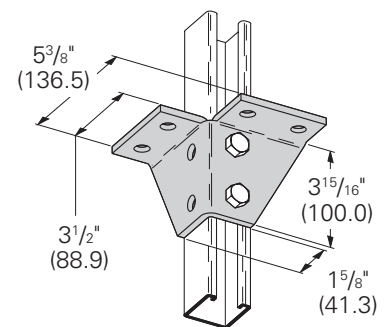
## B362 Eight Hole Double Corner Gusseted Connection

- Standard finishes: ZN, GRN
- Wt./C 226 Lbs. (102.5 kg)



## B571 Eight Hole Wing Connection

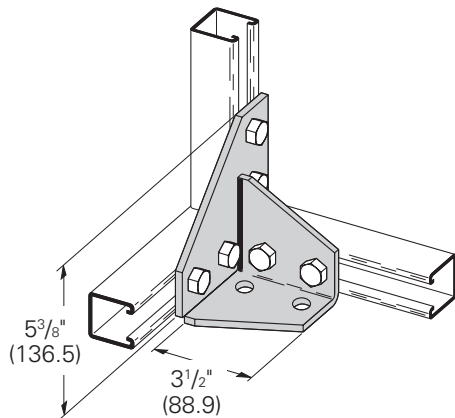
- Standard finishes: ZN, GRN
- Wt./C 201 Lbs. (91.2 kg)



Reference page 106 for general fitting and standard finish specifications.

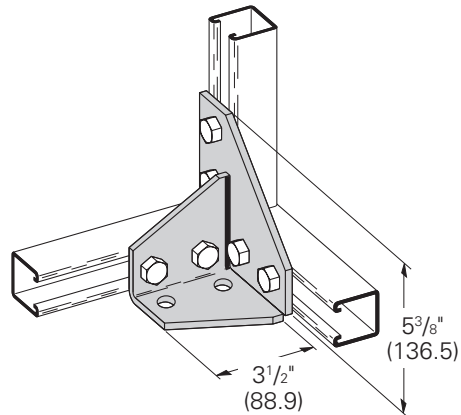
**B346L**  
**Eight Hole Double Corner Gussetted Connection**  
**(Left Hand)**

- Standard finishes: ZN, GRN
- Wt./C 242 Lbs. (109.8 kg)



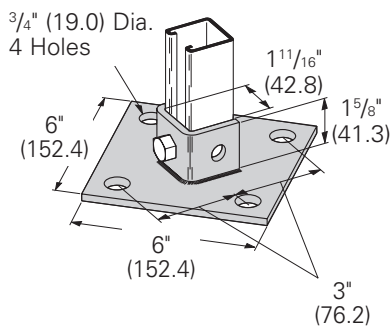
**B346R**  
**Eight Hole Double Corner Gussetted Connection**  
**(Right Hand)**

- Standard finishes: ZN, GRN
- Wt./C 242 Lbs. (109.8 kg)



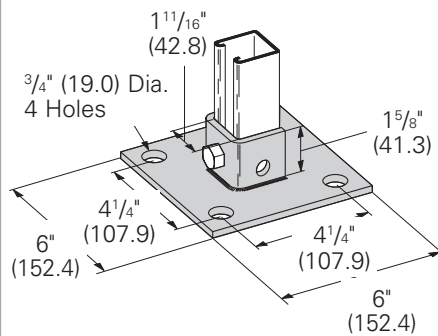
**B279**  
**Post Base for B22**

- Standard finishes: ZN, GRN
- Wt./C 314 Lbs. (142.4 kg)



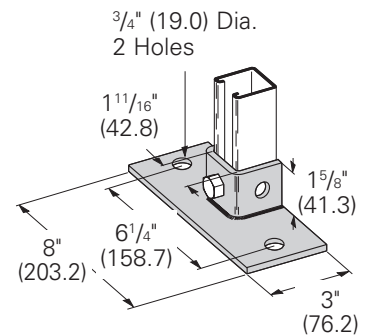
**B279SQ**  
**Post Base for B22**

- Standard finishes: ZN, GRN
- Wt./C 314 Lbs. (142.4 kg)



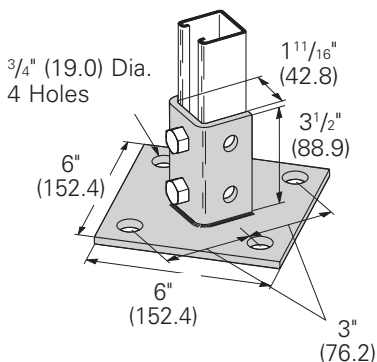
**B279FL**  
**Post Base for B22**

- Standard finishes: ZN, GRN
- Wt./C 230 Lbs. (104.3 kg)



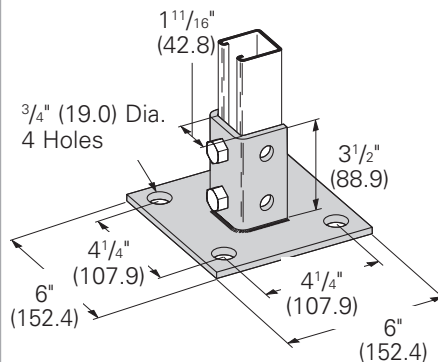
**B280**  
**Post Base for B22**

- Standard finishes: ZN, GRN, HDG, SS4, AL
- Wt./C 392 Lbs. (177.8 kg)



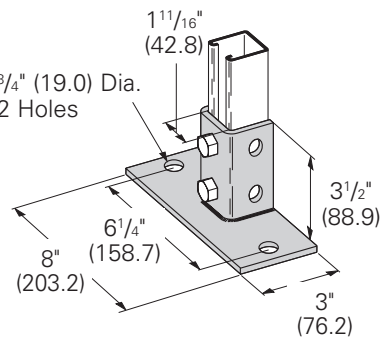
**B280SQ**  
**Post Base for B22**

- Standard finishes: ZN, GRN, HDG, SS4, AL
- Wt./C 392 Lbs. (177.8 kg)



**B280FL**  
**Post Base for B22**

- Standard finishes: ZN, GRN, HDG, SS4
- Wt./C 312 Lbs. (141.5 kg)

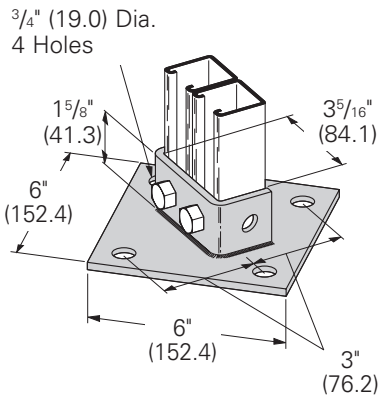


Reference page 106 for general fitting and standard finish specifications.

# Post bases

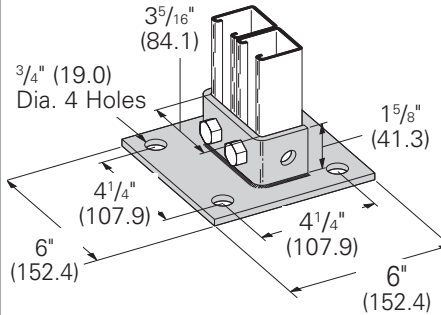
**B281A**  
**Post Base for B22A, B, C, ETC.**

- Standard finishes: ZN, GRN
- Wt./C 330 Lbs. (149.7 kg)



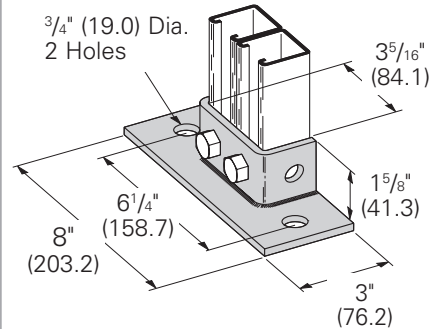
**B281ASQ**  
**Post Base for B22A, B, C, Etc.**

- Standard finishes: ZN, GRN
- Wt./C 330 Lbs. (149.7 kg)



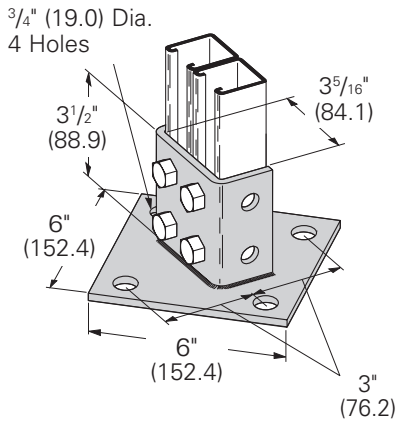
**B281AFL**  
**Post Base for B22A, B, C, Etc.**

- Standard finishes: ZN, GRN
- Wt./C 250 Lbs. (113.4 kg)



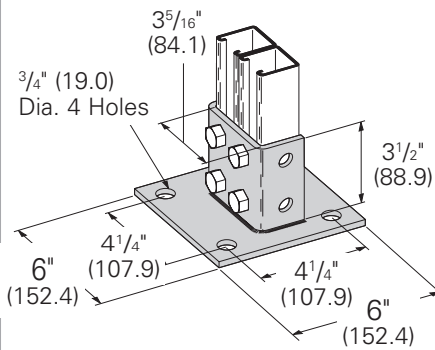
**B281**  
**Post Base for B22A, B, C, Etc.**

- Standard finishes: ZN, GRN, HDG
- Wt./C 400 Lbs. (181.4 kg)



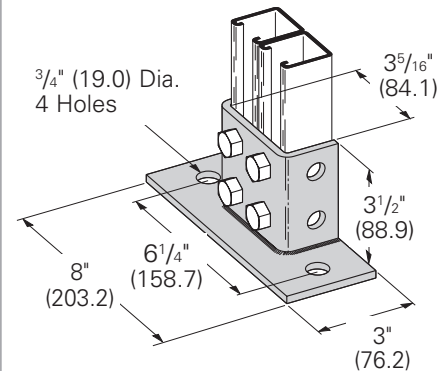
**B281SQ**  
**Post Base for B22A, B, C, Etc.**

- Standard finishes: ZN, GRN, HDG, SS4
- Wt./C 400 Lbs. (181.4 kg)



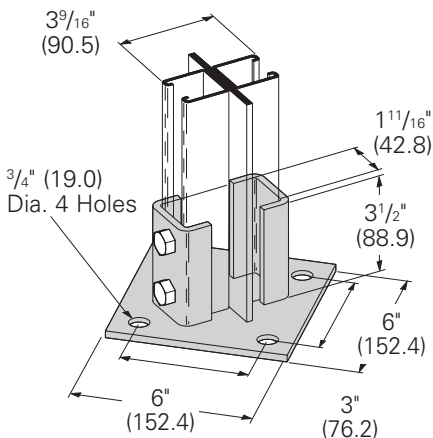
**B281FL**  
**Post Base for B22A, B, C, Etc.**

- Standard finishes: ZN, GRN
- Wt./C 320 Lbs. (145.1 kg)



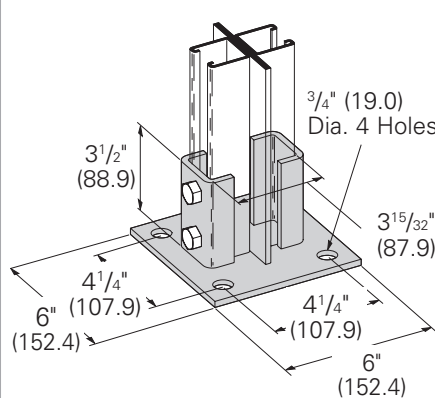
**B281M**  
**Post Base for B22-2PL**

- Standard finishes: ZN, GRN
- Wt./C 470 Lbs. (213.2 kg)



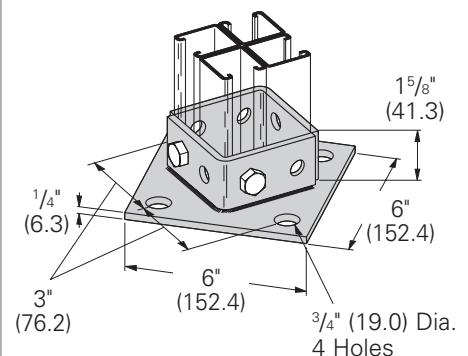
**B281MSQ**  
**Post Base for B22-2PL**

- Standard finishes: ZN, GRN
- Wt./C 470 Lbs. (213.2 kg)



**B570**  
**Post Base for Four Channel Combinations**

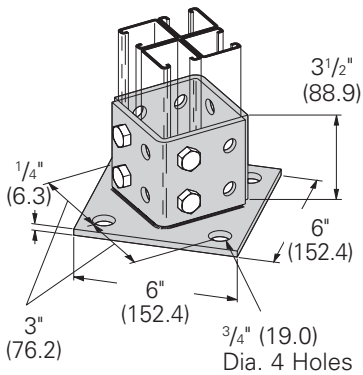
- Standard finishes: ZN, GRN
- Wt./C 397 Lbs. (180.1 kg)



Reference page 106 for general fitting and standard finish specifications.

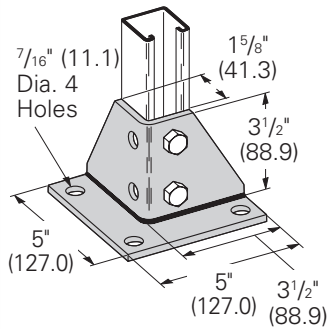
## B570A Post Base for Four Channel Combinations

- Standard finishes: ZN, GRN
- Wt./C 550 Lbs. (249.5 kg)



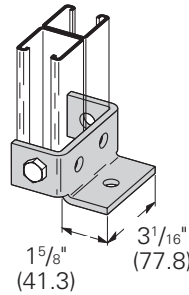
## B278 Post Base for B22

- Standard finishes: ZN, GRN
- Wt./C 288 Lbs. (130.6 kg)



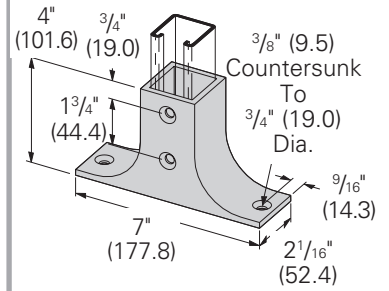
## B585 Post Base for B22A

- Standard finishes: ZN, GRN
- Wt./C 97 Lbs. (44.0 kg)



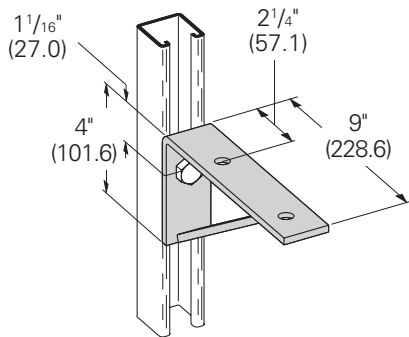
## B300 Post Base

- Material: Malleable Iron
- Standard finishes: ZN, GRN
- Wt./C 259 Lbs. (117.5 kg)



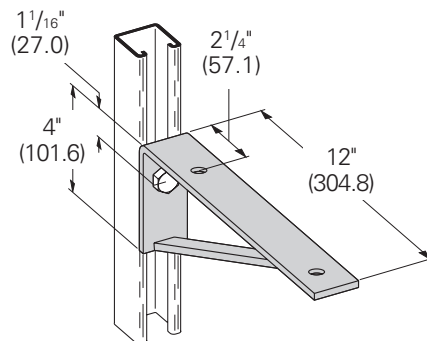
## B187 Bracket

- Uniform Loading 1450 Lbs. (6.45 kN)
- Safety Factor of 2.5
- Hole Spacing on Bracket Top 5 5/16" (150.8) Center to Center
- Standard finishes: ZN, GRN
- Wt./C 193 Lbs. (87.5 kg)



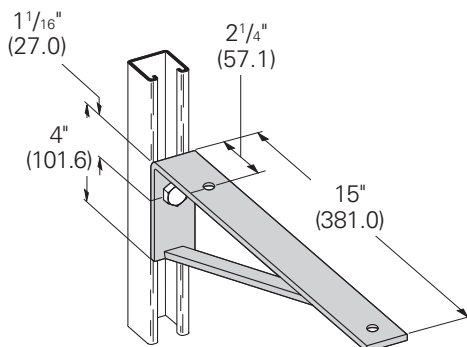
## B188 Bracket

- Uniform Loading 1080 Lbs. (4.80 kN)
- Safety Factor of 2.5
- Hole Spacing on Bracket Top 8 15/16" (227.0) Center to Center
- Standard finishes: ZN, GRN
- Wt./C 241 Lbs. (109.3 kg)



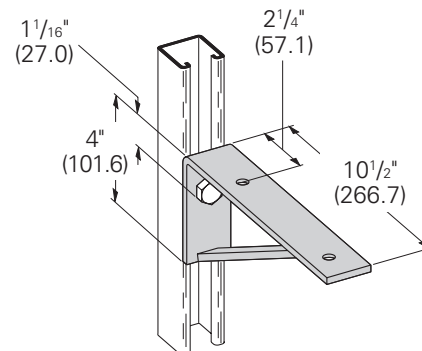
## B189 Bracket

- Uniform Loading 870 Lbs. (3.87 kN)
- Safety Factor of 2.5
- Hole Spacing on Bracket Top 11 15/16" (303.2) Center to Center
- Standard finishes: ZN, GRN
- Wt./C 308 Lbs. (139.7 kg)



## B541 Bracket

- Uniform Loading 1240 Lbs. (5.51 kN)
- Safety Factor of 2.5
- Hole Spacing on Bracket Top 7 7/16" (188.9) Center to Center
- Standard finishes: ZN, GRN
- Wt./C 201 Lbs. (91.2 kg)



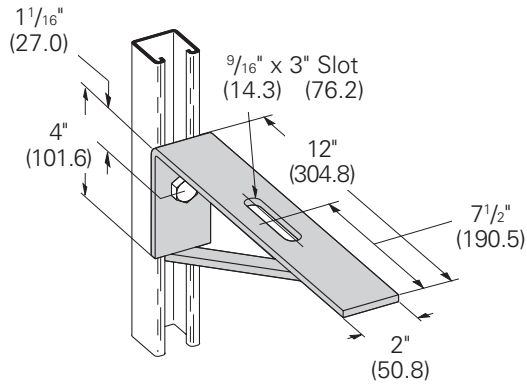
Reference page 106 for general fitting and standard finish specifications.



# Post bases & brackets

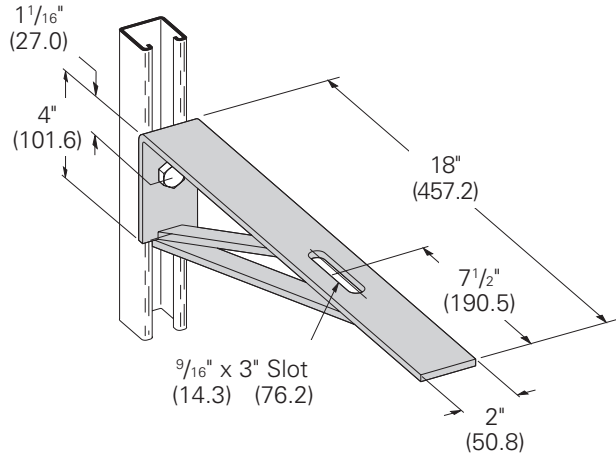
## B190 12" (304.8) Bracket

- Uniform Loading 900 Lbs. (4.00 kN)
- Safety Factor of 2.5
- Standard finishes: ZN, GRN
- Wt./C 260 Lbs. (117.9 kg)



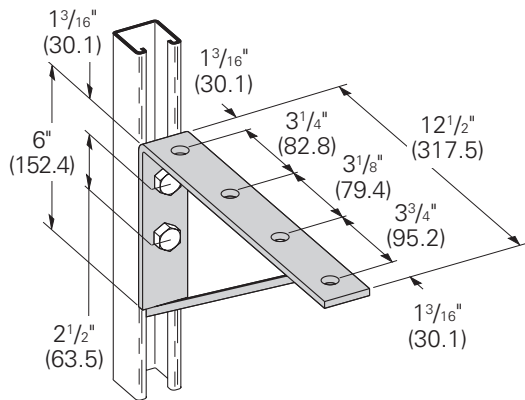
## B191-18 18" (457.2) Bracket

- Uniform Loading 600 Lbs. (2.67 kN)
- Safety Factor of 2.5
- Standard finishes: ZN, GRN
- Wt./C 377 Lbs. (171.0 kg)



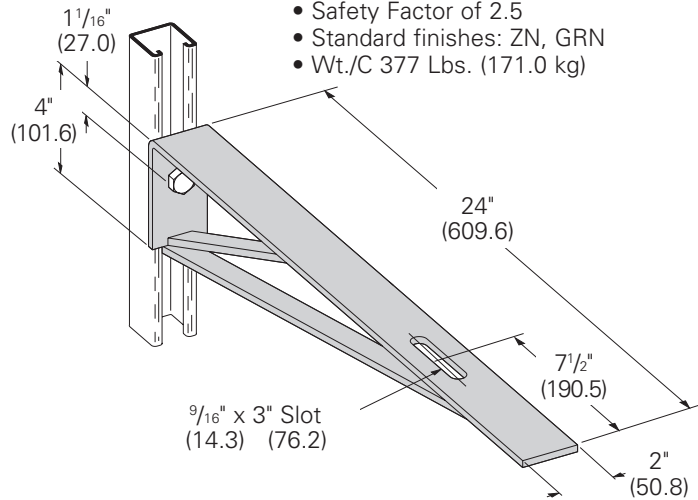
## B289-12 12 1/2" (317.5) Bracket

- Uniform Loading 1040 Lbs. (4.63 kN)
- Safety Factor of 2.5
- Standard finishes: ZN, GRN
- Wt./C 285 Lbs. (129.3 kg)



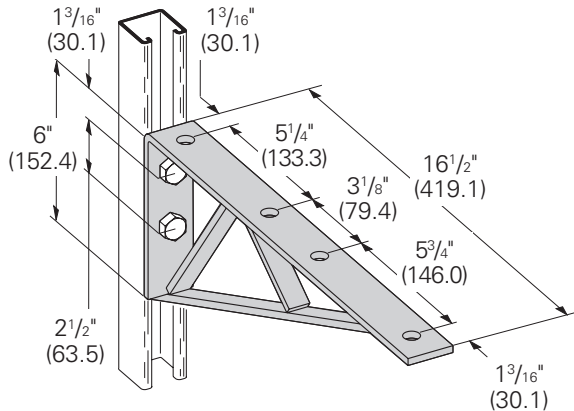
## B191-24 24" (609.6) Bracket

- Uniform Loading 450 Lbs. (2.00 kN)
- Safety Factor of 2.5
- Standard finishes: ZN, GRN
- Wt./C 377 Lbs. (171.0 kg)



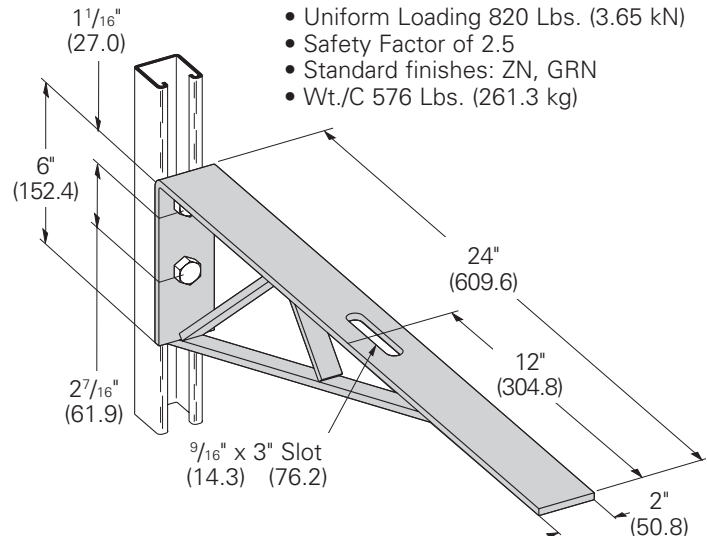
## B290 16 1/2" (419.1) Bracket

- Uniform Loading 1200 Lbs. (5.34 kN)
- Safety Factor of 2.5
- Standard finishes: ZN, GRN
- Wt./C 405 Lbs. (183.7 kg)



## B192 24" (609.6) Bracket

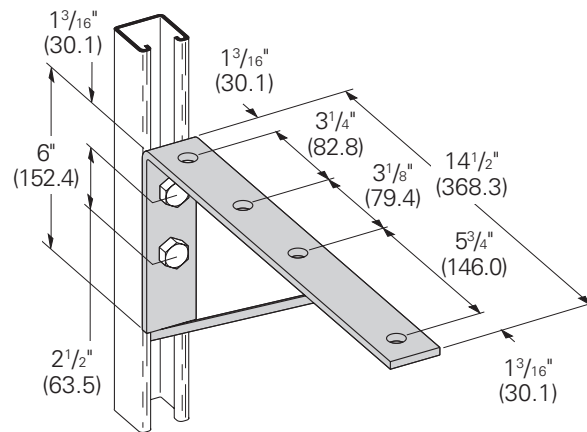
- Uniform Loading 820 Lbs. (3.65 kN)
- Safety Factor of 2.5
- Standard finishes: ZN, GRN
- Wt./C 576 Lbs. (261.3 kg)



Reference page 106 for general fitting and standard finish specifications.

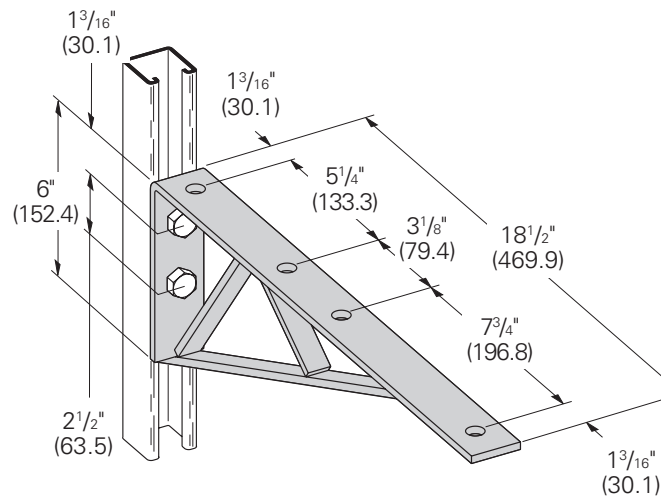
## B289-14 14<sup>1</sup>/<sub>2</sub>" (368.3) Bracket

- Uniform Loading 900 Lbs. (4.00 kN)
- Safety Factor of 2.5
- Standard finishes: ZN, GRN
- Wt./C 295 Lbs. (133.8 kg)



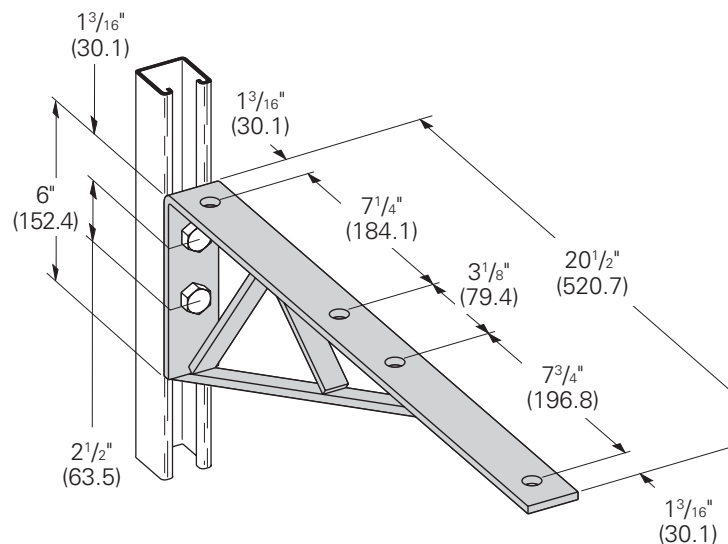
## B291 18<sup>1</sup>/<sub>2</sub>" (469.9) Bracket

- Uniform Loading 1070 Lbs. (4.76 kN)
- Safety Factor of 2.5
- Standard finishes: ZN, GRN
- Wt./C 468 Lbs. (212.3 kg)



## B292 20<sup>1</sup>/<sub>2</sub>" (520.7) Bracket

- Uniform Loading 600 Lbs. (2.67 kN)
- Safety Factor of 2.5
- Standard finishes: ZN, GRN, HDG, SS4
- Wt./C 490 Lbs. (222.2 kg)



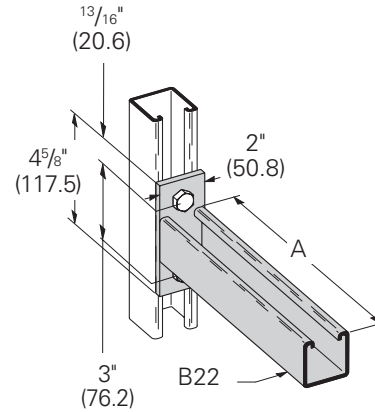
Reference page 106 for general fitting and standard finish specifications.

# Brackets

## B409 Single Channel Bracket

- Safety Factor of 2.5
- Standard finishes: ZN, GRN, SS4

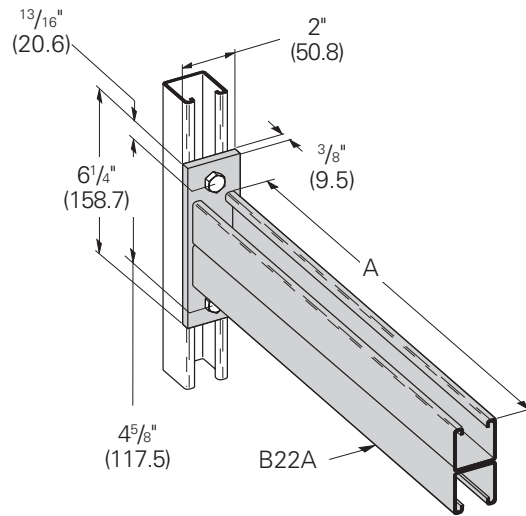
Part No.	A		Uniform Load		Wt./C	
	In.	mm	Lbs.	kN	Lbs.	kg
B409-6	6"	(152.4)	1920	(8.54)	152	(68.9)
B409-9	9"	(228.6)	1280	(5.69)	195	(88.4)
B409-12	12"	(304.8)	960	(4.27)	232	(105.2)
B409-14	14"	(355.6)	800	(3.56)	274	(124.3)
B409-16	16"	(406.4)	730	(3.25)	314	(142.4)
B409-18	18"	(457.2)	640	(2.84)	347	(157.4)
B409-24	24"	(609.6)	480	(2.13)	450	(204.1)



## B297 Double Channel Bracket

- Safety Factor of 2.5
- Standard finishes: ZN, GRN, HDG

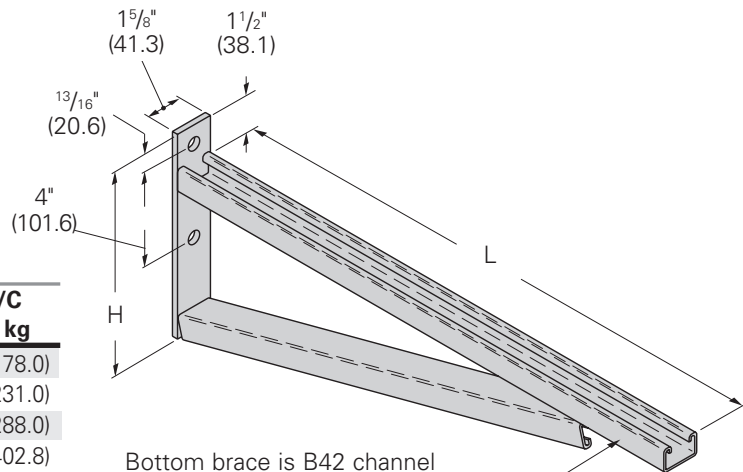
Part No.	A		Uniform Load		Wt./C	
	In.	mm	Lbs.	kN	Lbs.	kg
B297-12	12"	(304.8)	1660	(7.37)	485	(220.0)
B297-18	18"	(457.2)	1100	(4.88)	668	(303.0)
B297-24	24"	(609.6)	835	(3.71)	857	(388.7)
B297-30	30"	(762.0)	665	(2.95)	1040	(471.7)
B297-36	36"	(914.4)	550	(2.44)	1240	(562.4)
B297-42	42"	(1066.8)	465	(2.06)	1440	(653.2)



## B494 Braced Single Bracket

- Safety Factor of 2.5
- Standard finishes: ZN, GRN

Part No.	L	H	Uniform Load		Wt. /C	
	In.	mm	Lbs.	kN	Lbs.	kg
B494-12	12"	(304.8)	2500	(11.12)	392	(178.0)
B494-18	18"	(475.2)	1700	(7.56)	509	(231.0)
B494-24	24"	(609.6)	1300	(5.78)	635	(288.0)
B494-30	30"	(762.0)	1600	(7.11)	885	(402.8)
B494-36	36"	(914.4)	1100	(4.89)	1024	(464.5)
B494-42	42"	(1066.8)	980	(4.36)	1285	(582.9)
B494-48	48"	(1219.2)	980	(4.36)	1409	(639.1)



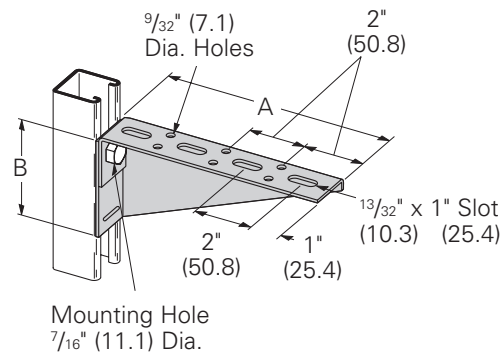
Bottom brace is B42 channel on B494-24 and smaller and B22 channel on B494-30 and larger

Reference page 106 for general fitting and standard finish specifications.

## B174SH-B186SH L&R Slotted Bracket

- Safety Factor of 2.5
- Specify L for left or R for right bracing
- Material: ASTM A1011 33,000 PSI min. yield
- Standard finishes: ZN, GRN

Part No.	A		B		Uniform Load		Wt./C	
	In.	mm	In.	mm	Lbs.	kN	Lbs.	kg
<b>B174SH</b>	24"	(609.6)	6 <sup>7</sup> / <sub>16</sub> "	(163.5)	225	(1.00)	370	(167.8)
<b>B175SH</b>	26"	(660.4)	6 <sup>15</sup> / <sub>16</sub> "	(176.2)	225	(1.00)	425	(192.8)
<b>B176SH</b>	28"	(711.2)	7 <sup>7</sup> / <sub>16</sub> "	(188.9)	225	(1.00)	480	(217.7)
<b>B177SH</b>	30"	(762.0)	7 <sup>15</sup> / <sub>16</sub> "	(201.6)	225	(1.00)	520	(235.9)
<b>B178SH</b>	12"	(304.8)	3 <sup>7</sup> / <sub>16</sub> "	(87.3)	350	(1.55)	143	(64.8)
<b>B179SH</b>	14"	(355.6)	3 <sup>15</sup> / <sub>16</sub> "	(100.0)	350	(1.55)	162	(73.5)
<b>B180SH</b>	16"	(406.4)	4 <sup>7</sup> / <sub>16</sub> "	(112.7)	250	(1.11)	204	(92.5)
<b>B181SH</b>	18"	(457.2)	4 <sup>15</sup> / <sub>16</sub> "	(125.4)	250	(1.11)	232	(105.2)
<b>B182SH</b>	20"	(508.0)	5 <sup>7</sup> / <sub>16</sub> "	(138.1)	250	(1.11)	275	(124.7)
<b>B183SH</b>	22"	(558.8)	5 <sup>15</sup> / <sub>16</sub> "	(150.8)	250	(1.11)	317	(143.8)
<b>B184SH</b>	6"	(152.4)	1 <sup>15</sup> / <sub>16</sub> "	(49.2)	225	(1.00)	58	(26.3)
<b>B185SH</b>	8"	(203.2)	2 <sup>7</sup> / <sub>16</sub> "	(61.9)	225	(1.00)	82	(37.2)
<b>B186SH</b>	10"	(254.0)	2 <sup>15</sup> / <sub>16</sub> "	(74.6)	325	(1.44)	103	(46.7)



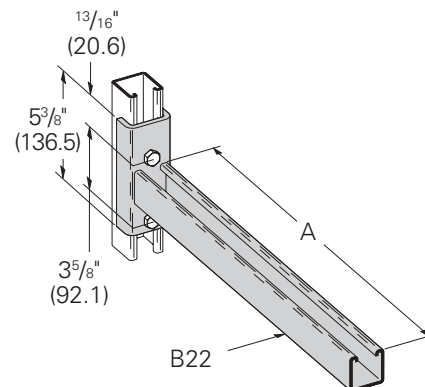
Mounting Hole  
7/16" (11.1) Dia.

Right bracket shown, left bracket gussett on opposite side.

## B196 Channel Clevis Bracket

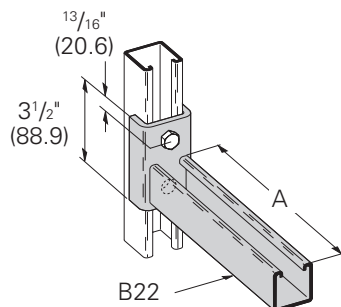
- Safety Factor of 2.5
- Standard finishes: ZN, GRN

Part No.	A		Uniform Load		Wt./C	
	In.	mm	Lbs.	kN	Lbs.	kg
<b>B196-18</b>	18"	(457.2)	600	(2.67)	430	(195.0)
<b>B196-24</b>	24"	(609.6)	450	(2.00)	510	(231.3)



## B198 Channel Clevis Bracket

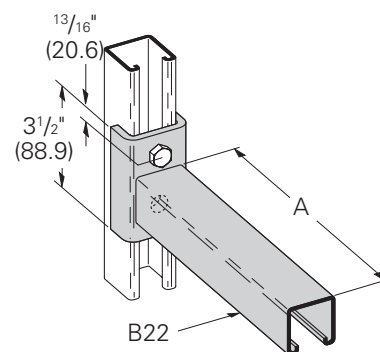
- Safety Factor of 2.5
- Standard finishes: ZN, GRN



Part No.	A		Uniform Load		Wt./C	
	In.	mm	Lbs.	kN	Lbs.	kg
<b>B198-6</b>	6"	(152.4)	1600	(7.12)	185	(83.9)
<b>B198-12</b>	12"	(304.8)	800	(3.56)	284	(128.8)

## B198A Channel Clevis Bracket

- Safety Factor of 2.5
- Standard finishes: ZN, GRN

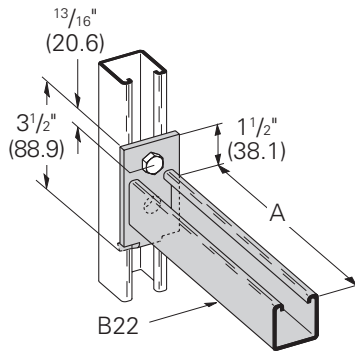


Part No.	A		Uniform Load		Wt./C	
	In.	mm	Lbs.	kN	Lbs.	kg
<b>B198A-6</b>	6"	(152.4)	1600	(7.12)	185	(83.9)
<b>B198A-12</b>	12"	(304.8)	800	(3.56)	284	(128.8)

Reference page 106 for general fitting and standard finish specifications.

## B293 Channel Bracket

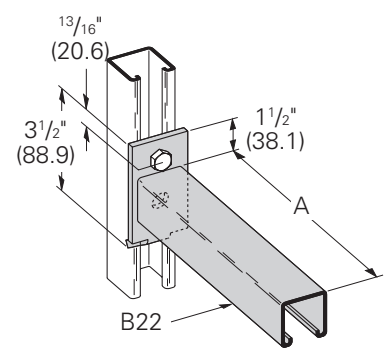
- Safety Factor of 2.5
- Standard finishes: ZN, GRN



Part No.	A		Uniform Load		Wt./C	
	In.	mm	Lbs.	kN	Lbs.	kg
<b>B293-6</b>	6"	(152.4)	1200	(5.34)	144	(65.3)
<b>B293-12</b>	12"	(304.8)	600	(2.67)	252	(114.3)
<b>B293-18</b>	18"	(457.2)	400	(1.78)	340	(154.2)
<b>B293-24</b>	24"	(609.6)	300	(1.33)	412	(186.9)

## B293A Channel Bracket

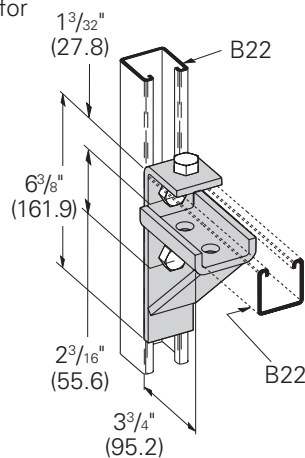
- Safety Factor of 2.5
- Standard finishes: ZN, GRN



Part No.	A		Uniform Load		Wt./C	
	In.	mm	Lbs.	kN	Lbs.	kg
<b>B293A-6</b>	6"	(152.4)	1200	(5.34)	144	(65.3)
<b>B293A-12</b>	12"	(304.8)	600	(2.67)	252	(114.3)
<b>B293A-18</b>	18"	(457.2)	400	(1.78)	340	(154.2)
<b>B293A-24</b>	24"	(609.6)	300	(1.33)	412	(186.9)

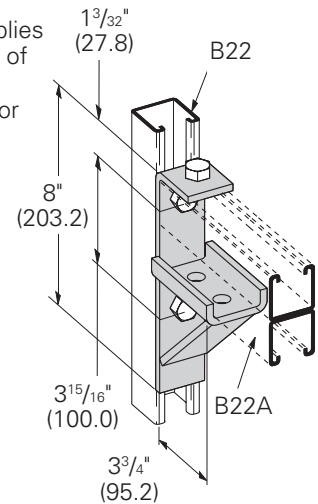
## B194 Bracket for B22 & B24

- Safety Factor of 2.5
- 6300 In.-Lbs (712 N•m) applies to fitting only, not to strength of strut arm
- Refer to pages 56, 57 & 59 for strut loading data
- Standard finishes: ZN, GRN
- Wt./C 210 Lbs. (95.2 kg)



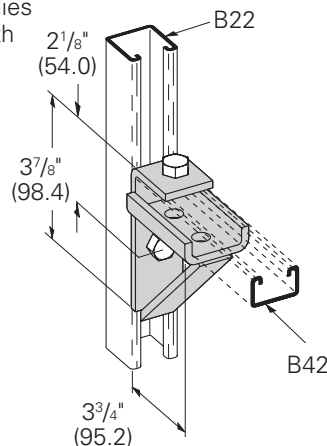
## B370 Bracket for B22A & B11

- Safety Factor of 2.5
- 13000 In.-Lbs (1469 N•m) applies to fitting only, not to strength of strut arm
- Refer to pages 51, 56, & 57 for strut loading data
- Standard finishes: ZN, GRN
- Wt./C 266 Lbs. (120.6 kg)



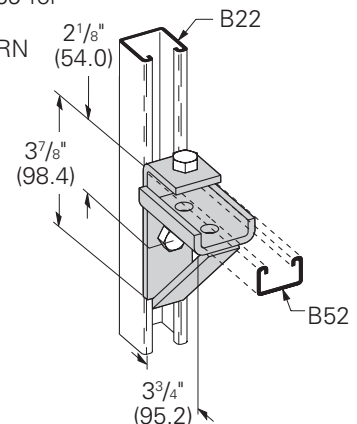
## B195 Bracket for B42

- Safety Factor of 2.5
- 2500 In.-Lbs (282 N•m) applies to fitting only, not to strength of strut arm
- Refer to pages 57 & 65 for strut loading data
- Standard finishes: ZN, GRN
- Wt./C 174 Lbs. (78.9 kg)



## B440 Bracket for B52 & B54

- Safety Factor of 2.5
- 2000 In.-Lbs (226 N•m) applies to fitting only, not to strength of strut arm
- Refer to page 57, 67, & 69 for strut loading data
- Standard finishes: ZN, GRN
- Wt./C 177 Lbs. (80.3 kg)

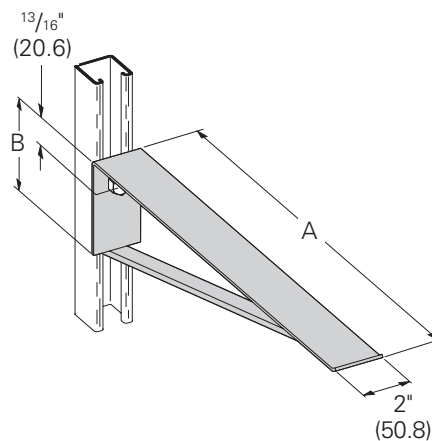


Reference page 106 for general fitting and standard finish specifications.

**B449-4, 8 & 12  
Cable Saddle Bracket**

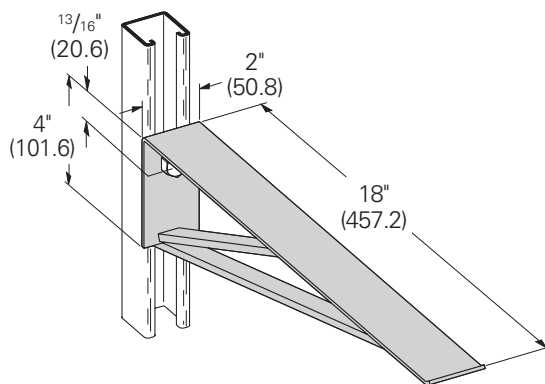
- Safety Factor of 2.5
- Material: 11 Gauge (3.0) ASTM A1011 HSLAS Gr. 50
- Standard finishes: ZN, GRN

Part No.	A		B		Uniform Load		Wt./C	
	In.	mm	In.	mm	Lbs.	kN	Lbs.	kg
<b>B449-4</b>	4 <sup>1</sup> / <sub>2</sub> "	(114.3)	2 <sup>3</sup> / <sub>8</sub> "	(60.3)	2400	(10.67)	74	(33.5)
<b>B449-8</b>	8 <sup>1</sup> / <sub>2</sub> "	(215.9)	2 <sup>3</sup> / <sub>8</sub> "	(60.3)	1270	(5.65)	124	(56.2)
<b>B449-12</b>	12 <sup>1</sup> / <sub>2</sub> "	(317.5)	4"	(101.6)	860	(3.82)	184	(83.4)



**B449-18  
18" (457.2) Cable Saddle Bracket**

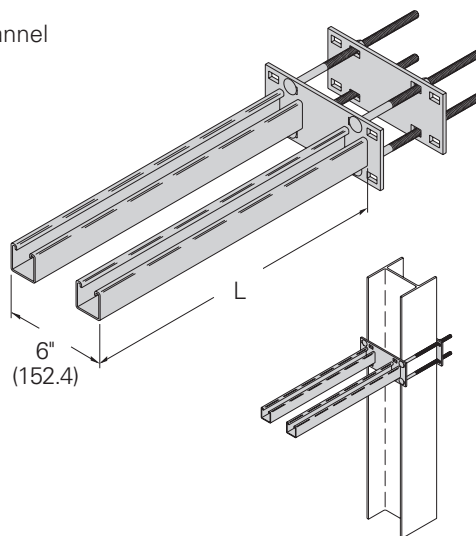
- Safety Factor of 2.5
- Uniform Load 960 Lbs. (4.17 kN)
- Material: 11 Gauge (3.0) ASTM A1011 HSLAS Gr. 50
- Standard finishes: ZN, GRN
- Wt./C 312 Lbs. (141.5 kg)



**B409DB Series  
Solar Bracket**

- Safety Factor of 2.5
- Includes: (1) Channel Bracket Plate - 1/4" x 3 1/2" x 7 3/4" with welded channel  
(1) Back Plate - 1/4" x 3 1/2" x 7 3/4"  
(4) 3/8"-16 x 8 1/2" Square Neck Carriage Bolts  
(4) 3/8"-16 Serrated Flange Hex Nuts
- Fits 4" (101mm) to 6 1/2" (165mm) wide supports
- Standard finishes: ZN, HDG

Part No.	L		Uniform Load		Wt./C	
	In.	mm	Lbs.	kN	Lbs.	kg
<b>B409DB-12</b>	12"	(304.8)	800	(3.56)	766	(347.4)
<b>B409DB-18</b>	18"	(457.2)	800	(3.56)	956	(433.6)

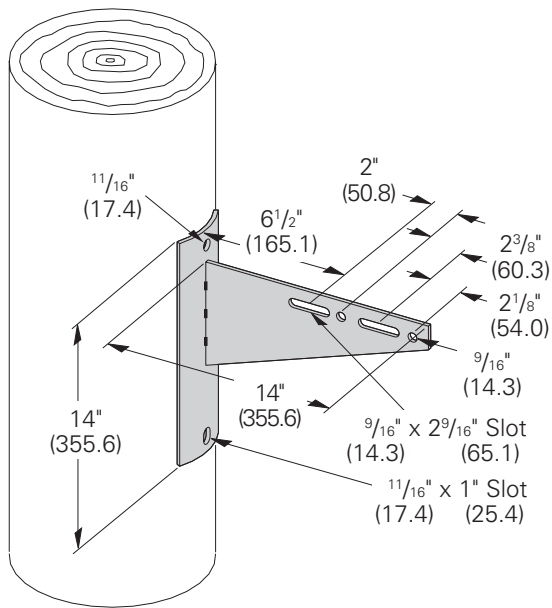


A single channel version and other lengths are available. Contact Eaton B-Line Division engineering for more information.



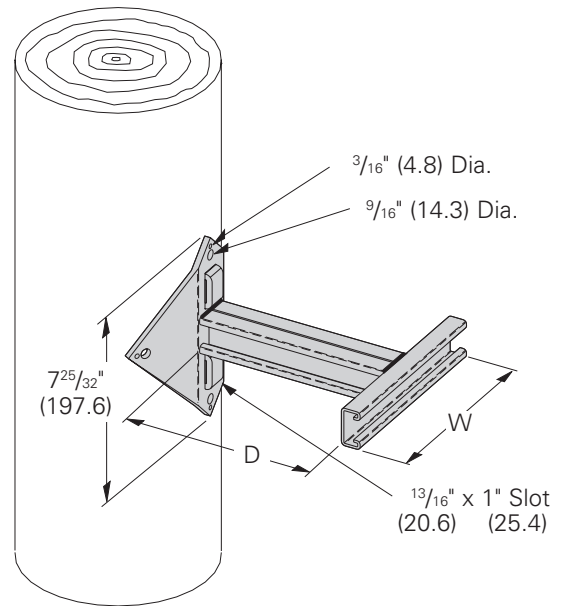
## B816

- Standard finishes: ZN, HDG



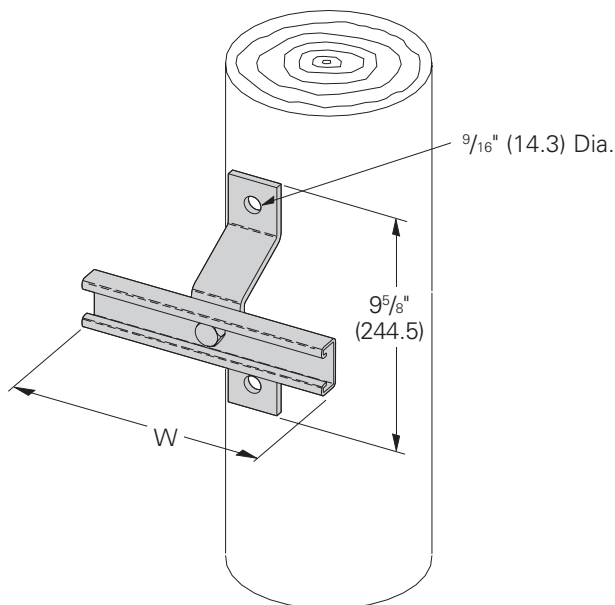
## B852S-\*.\*\*\*

- \*Specify Width: W = 8, 12, 16
- \*\*Specify Depth: D = 6, 8, 10, 12, 16, 18, 24
- $1\frac{3}{16}$ " (20.6mm) x 1" (25.4mm) banding slots for steel band
- Standard finishes: ZN, HDG



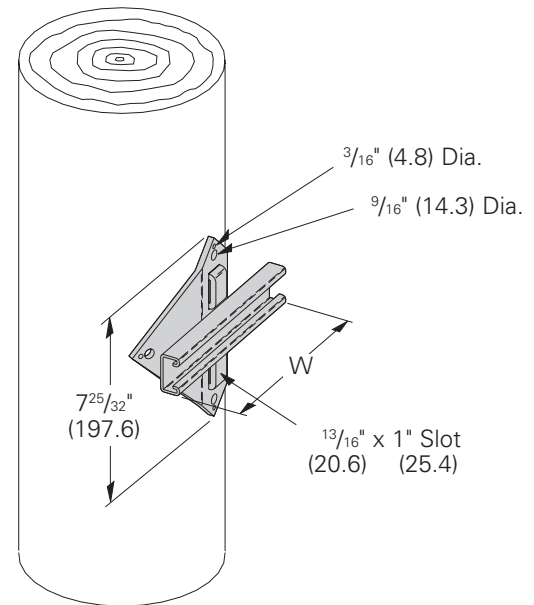
## B802D-\*

- \*Specify Width: W = 8, 12, 16
- Standard finishes: ZN, HDG



## B810-\*

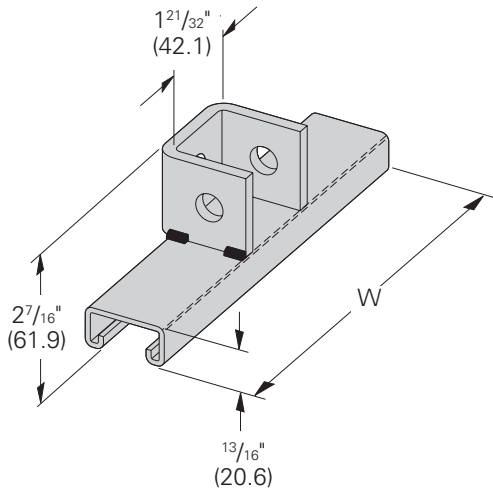
- \*Specify Width: W = 8, 12, 16
- $1\frac{3}{16}$ " (20.6mm) x 1" (25.6mm) banding slots for steel band
- Standard finishes: ZN, HDG



Reference page 106 for general fitting and standard finish specifications.

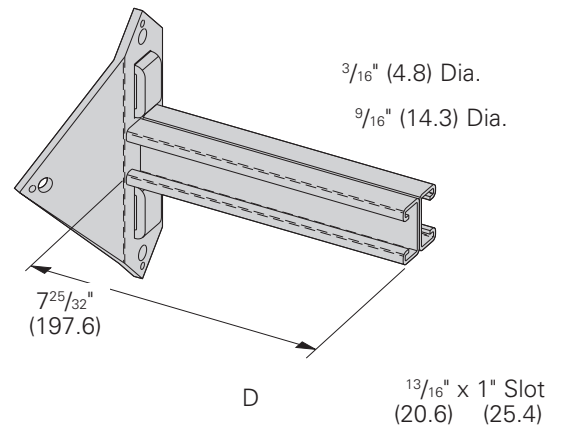
### B811-\*

- \*Specify Width: W = 8, 12, 16
- Can be attached directly to B809 & B812
- Standard finishes: ZN, HDG



### B812-\*

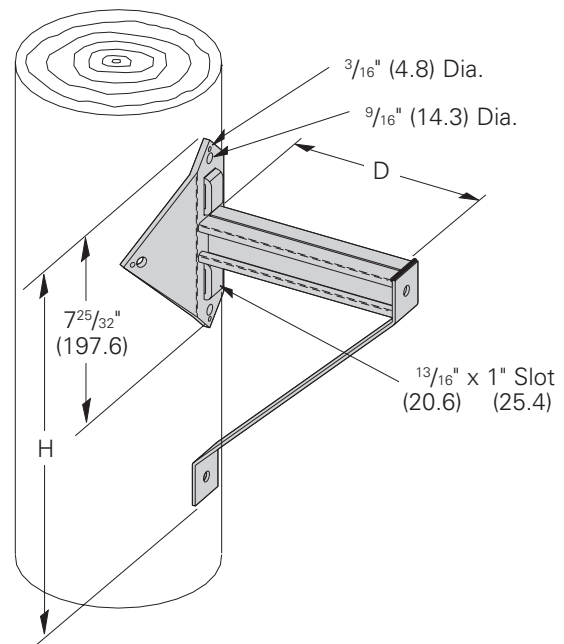
- \*Specify Depth: D = 6, 8, 12, 16, 18, 24
- 13/16" (20.6mm) x 1" (25.4mm) banding slots for steel band
- Standard finishes: ZN, HDG



### B809B-\*

- \*Specify Depth: D = 6, 8, 10, 12, 16, 18, 24
- 13/16" (20.6mm) x 1" (25.4mm) banding slots for steel band
- Standard finishes: ZN, HDG

Part No.	D		H	
	In.	mm	In.	mm
<b>B809B-6</b>	6"	(152.4)	12 3/4"	(323.9)
<b>B809B-8</b>	8"	(203.2)	14 3/4"	(374.7)
<b>B809B-10</b>	10"	(254.0)	16 3/4"	(425.5)
<b>B809B-12</b>	12"	(304.8)	18 3/4"	(476.2)
<b>B809B-16</b>	16"	(406.4)	22 3/4"	(577.8)
<b>B809B-18</b>	18"	(457.2)	24 3/4"	(628.6)
<b>B809B-24</b>	24"	(609.6)	27 3/4"	(704.8)

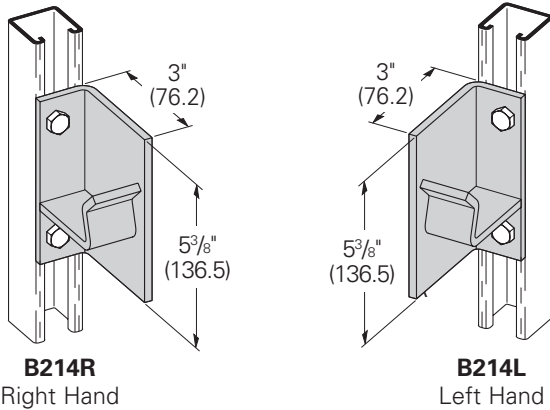


Reference page 106 for general fitting and standard finish specifications.

# Miscellaneous fittings

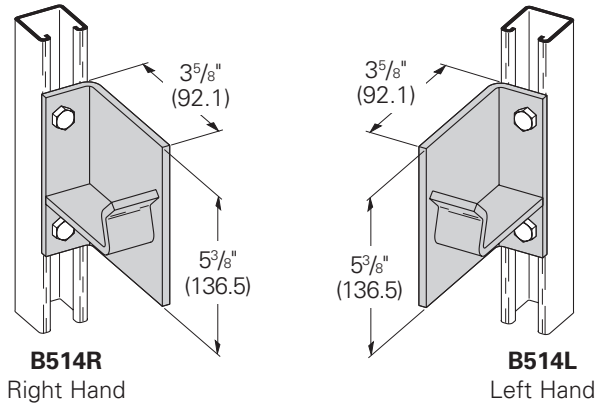
## B214 R&L Reel Rack Support for 1 1/4" (32) Pipe

- Standard finishes: ZN, GRN
- Wt./C 200 Lbs. (90.7 kg)



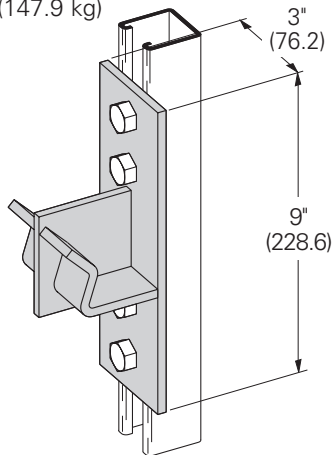
## B514 R&L Reel Rack Support for 2" (50) Pipe

- Standard finishes: ZN, GRN
- Wt./C 246 Lbs. (111.6 kg)



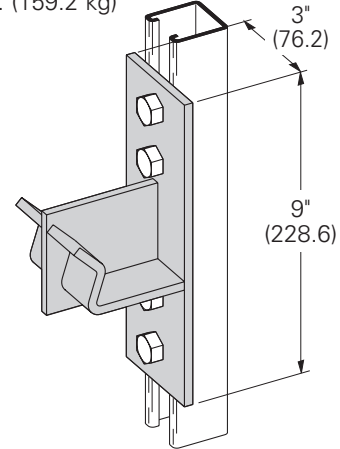
## B475 Double Reel Rack Support on Single Channel for 1 1/4" (32) Pipe

- Standard finishes: ZN, GRN
- Wt./C 326 Lbs. (147.9 kg)



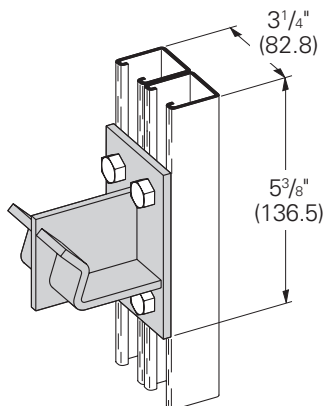
## B473 Double Reel Rack Support on Single Channel for 2" (50) Pipe

- Standard finishes: ZN, GRN
- Wt./C 351 Lbs. (159.2 kg)



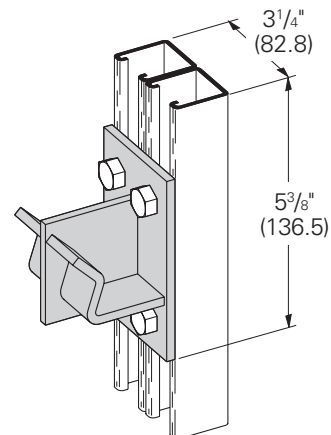
## B474 Double Reel Rack Support on Double Channel for 1 1/4" (32) Pipe

- Standard finishes: ZN, GRN
- Wt./C 257 Lbs. (116.6 kg)



## B472 Double Reel Rack Support on Double Channel for 2" (50) Pipe

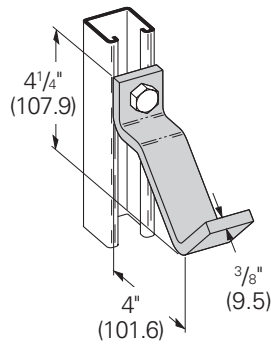
- Standard finishes: ZN, GRN
- Wt./C 299 Lbs. (135.6 kg)



Reference page 106 for general fitting and standard finish specifications.

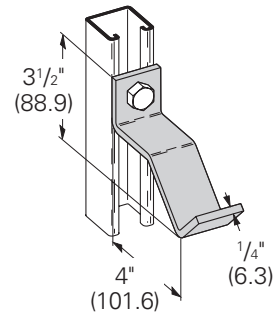
## B438 Pipe Support Bracket

- Standard finishes: ZN, GRN
- Material: ASTM A36
- Wt./C 132 Lbs. (59.9 kg)



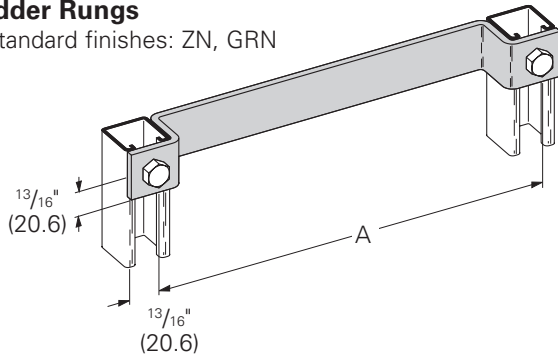
## B439 Pipe Support Bracket

- Standard finishes: ZN, GRN
- Wt./C 88 Lbs. (39.9 kg)



## B411 Series Ladder Rungs

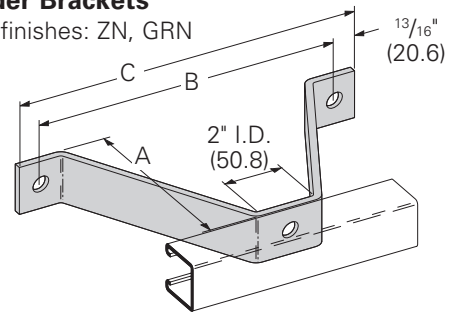
- Standard finishes: ZN, GRN



Part No.	A		Wt./C	
	In.	mm	Lbs.	kg
B411-12	12"	(304.8)	176	(79.8)
B411-15	15"	(381.0)	202	(91.6)
B411-18	18"	(457.2)	234	(106.1)

## B381-B385 Wall Ladder Brackets

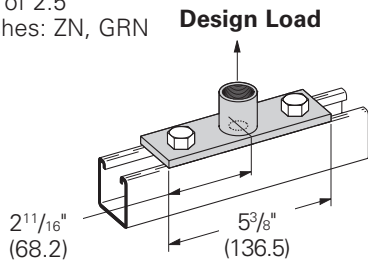
- Standard finishes: ZN, GRN



Part No.	A		B		C		Wt./C	
	In.	mm	In.	mm	In.	mm	Lbs.	kg
B381	2 <sup>3</sup> / <sub>8</sub> "	(60.3)	6"	(152.4)	7 <sup>5</sup> / <sub>8</sub> "	(193.7)	110	(49.9)
B382	4 <sup>3</sup> / <sub>8</sub> "	(111.1)	8"	(203.2)	9 <sup>5</sup> / <sub>8</sub> "	(244.5)	164	(74.4)
B383	6 <sup>3</sup> / <sub>8</sub> "	(161.9)	10"	(254.0)	11 <sup>5</sup> / <sub>8</sub> "	(295.3)	200	(90.7)
B384	8 <sup>3</sup> / <sub>8</sub> "	(212.7)	12"	(304.8)	13 <sup>5</sup> / <sub>8</sub> "	(346.1)	253	(114.7)
B385	10 <sup>3</sup> / <sub>8</sub> "	(263.5)	14"	(355.6)	15 <sup>5</sup> / <sub>8</sub> "	(396.9)	318	(144.2)

## B587-1/2, 3/4 & 1 Pipe Coupling Fitting

- Safety Factor of 2.5
- Standard finishes: ZN, GRN



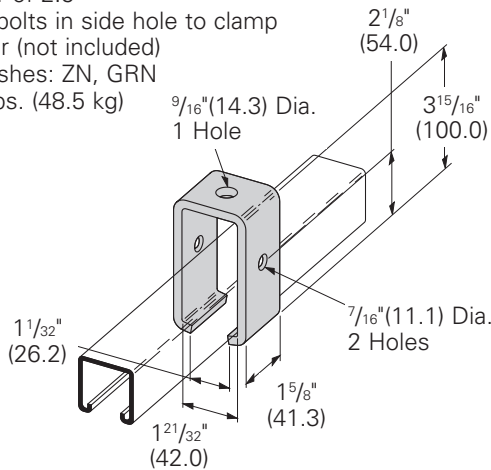
Part No.	For Pipe Size		Wt./C		Design Load Lbs. kN
	In.	mm	Lbs.	kg	
B587-1/2	1/2"	(15)	77	(34.9)	1000 (4.45)
B587-3/4	3/4"	(20)	84	(38.1)	1400 (6.23)
B587-1	1"	(25)	105	(47.6)	1900 (8.45)

Reference page 106 for general fitting and standard finish specifications.

# Miscellaneous fittings

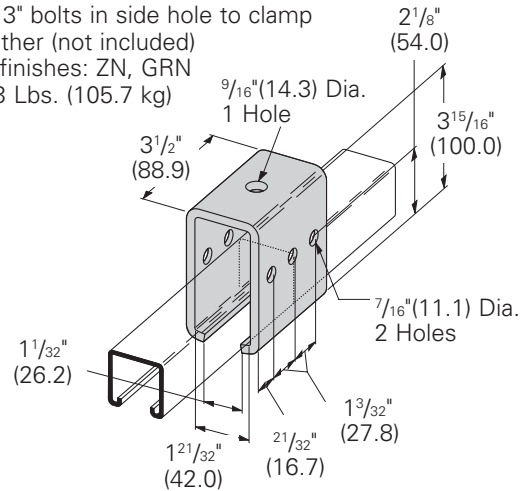
## B349 Trolley Beam Support

- Design Load 1200 Lbs. (5.34 kN)
- Safety Factor of 2.5
- Use  $\frac{3}{8}$ " x 3" bolts in side hole to clamp strut together (not included)
- Standard finishes: ZN, GRN
- Wt./C 107 Lbs. (48.5 kg)



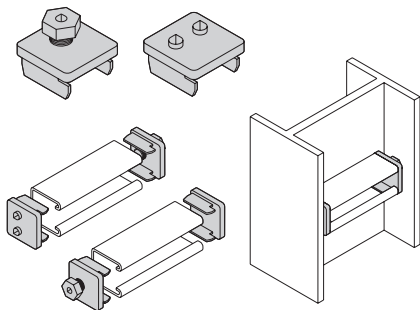
## B350 Trolley Beam Joint Support

- Design Load 1200 Lbs. (5.34 kN)
- Use  $\frac{3}{8}$ " x 3" bolts in side hole to clamp strut together (not included)
- Standard finishes: ZN, GRN
- Wt./C 233 Lbs. (105.7 kg)



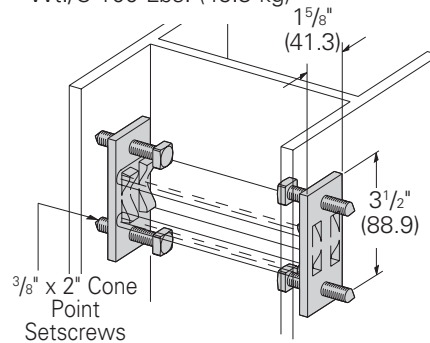
## B614 Column Support for B22

- Quick installation (one bolt to tighten)
- Design Load 800 Lbs. (3.56 kN) Slip with Safety Factor of 3
- Use with B22 and B24 Channel
- Sold in pairs
- Standard finish: ZN
- Wt./C 50 Lbs. (22.6 kg)



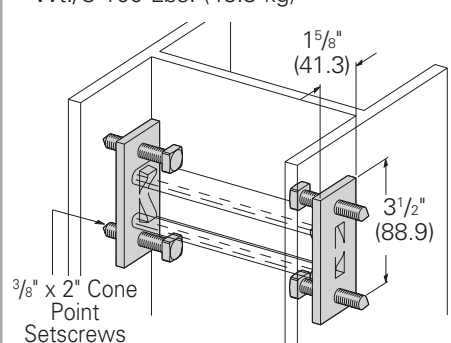
## B613 Column Support for B22

- Design Load 800 Lbs. (3.56 kN) Slip with Safety Factor of 3
- Use with B22 and B24 Channel
- Setscrews to be torqued to 19 ft./Lbs
- Sold in pairs
- Standard finishes: ZN, GRN, HDG
- Wt./C 100 Lbs. (45.3 kg)



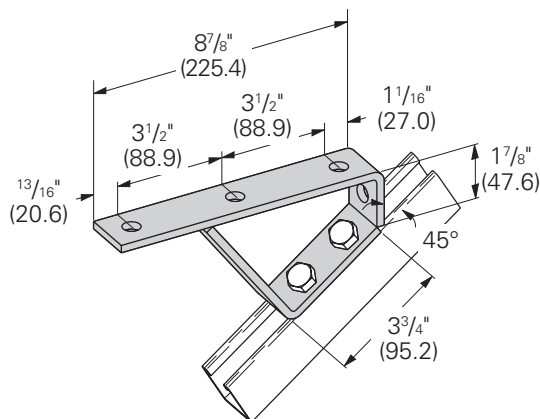
## B613A Column Support for B52

- Design Load 800 Lbs. (3.56 kN) Slip with Safety Factor of 3
- Use with B52 and B54 Channel
- Setscrews to be torqued to 19 ft./Lbs
- Sold in pairs
- Standard finishes: ZN, GRN, HDG
- Wt./C 100 Lbs. (45.3 kg)



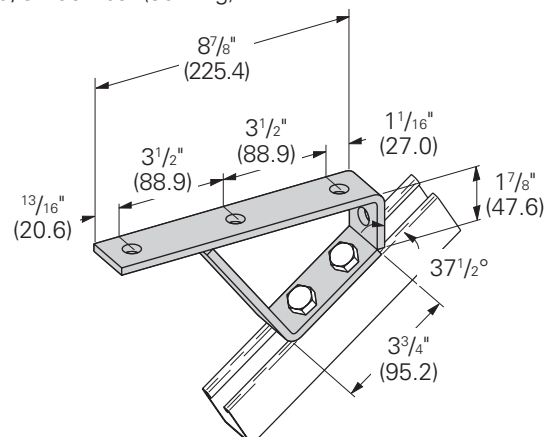
## B560 45° Stair Support

- Standard finishes: ZN, GRN
- Wt./C 220 Lbs. (99.8 kg)



## B562 37 1/2° Stair Support

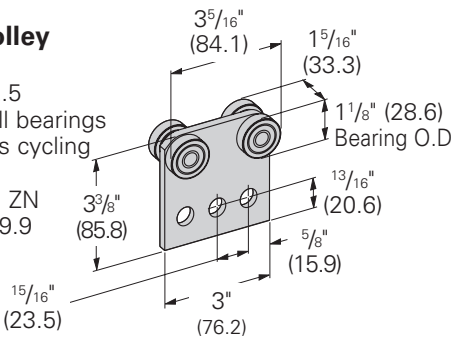
- Standard finishes: ZN, GRN
- Wt./C 206 Lbs. (93.4 kg)



Reference page 106 for general fitting and standard finish specifications.

## B376 Four Bearing Trolley Assembly

- Safety Factor of 2.5
- Stainless steel ball bearings
- Not for continuous cycling applications
- Standard finishes: ZN
- Wt./C 110 Lbs. (49.9 kg)

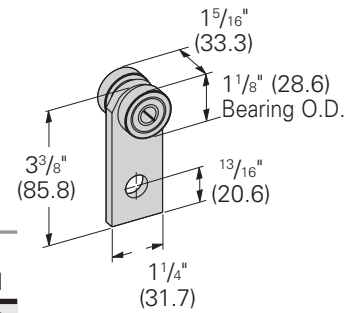


Design Load in B22		
Lbs.	kN	RPM
300	(1.33)	@600
450	(2.00)	@300
600	(2.67)	@100

Design Load

## B377 Two Bearing Trolley Assembly

- Safety Factor of 2.5
- Stainless steel ball bearings
- Not for continuous cycling applications
- Standard finishes: ZN
- Wt./C 48 Lbs. (21.8 kg)

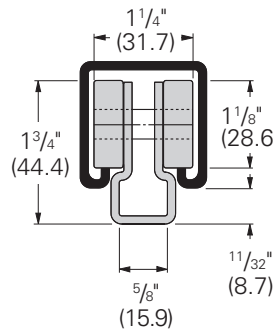


Design Load in B22		
Lbs.	kN	RPM
150	(.67)	@600
225	(1.00)	@300
437	(1.94)	@100

Design Load

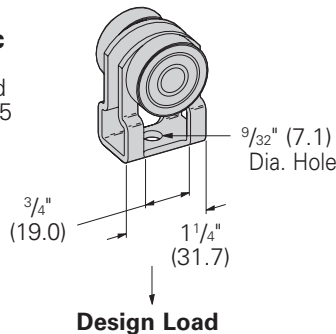
## B477 Two Bearing Light Duty Trolley Assembly

- Design Load 50 Lbs. (.22 kN)
- Safety Factor of 2.5
- Stainless steel ball bearings
- Not for continuous cycling applications
- Material: 12 Gauge (2.6) ASTM A1011 33,000 PSI min. yield
- Standard finishes: ZN
- Wt./C 30 Lbs. (13.6 kg)



## B477P With Plastic Bearings

- Design Load 10 Lbs. (.045 kN)



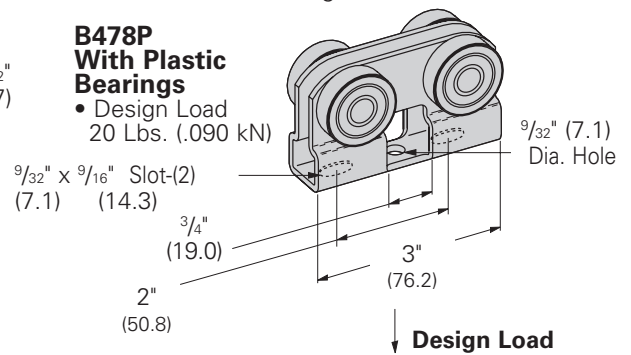
Design Load

## B478 Four Bearing Light Duty Trolley Assembly

- Design Load 100 Lbs. (.44 kN)
- Safety Factor of 2.5
- Stainless steel ball bearings
- Not for continuous cycling applications
- Material: 12 Gauge (2.6) ASTM A1011 33,000 PSI min. yield
- Standard finishes: ZN
- Wt./C 68 Lbs. (30.8 kg)

## B478P With Plastic Bearings

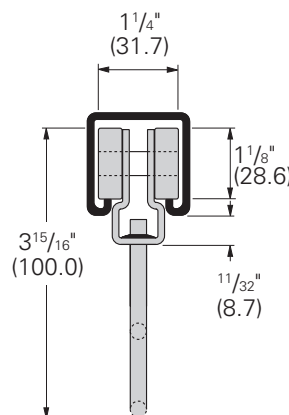
- Design Load 20 Lbs. (.090 kN)



Design Load

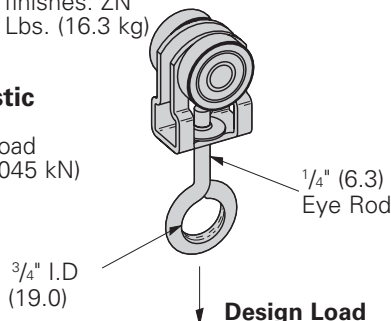
## B477H Two Bearing Light Duty Trolley Assembly with Eye Hook

- Design Load 50 Lbs. (.22 kN)
- Safety Factor of 2.5
- Stainless steel ball bearings
- Not for continuous cycling applications
- Material: 12 Gauge (2.6) ASTM A1011 33,000 PSI min. yield
- Standard finishes: ZN
- Wt./C 36 Lbs. (16.3 kg)



## B477HP With Plastic Bearings

- Design Load 10 Lbs. (.045 kN)



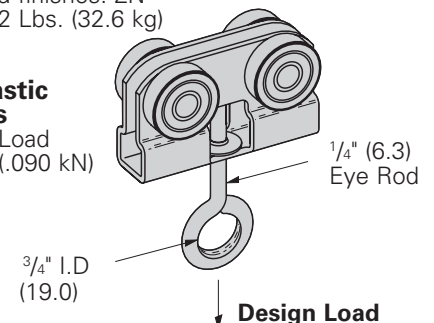
Design Load

## B478H Four Bearing Light Duty Trolley Assembly with Eye Hook

- Design Load 100 Lbs. (.44 kN)
- Safety Factor of 2.5
- Stainless steel ball bearings
- Not for continuous cycling applications
- Material: 12 Gauge (2.6) ASTM A1011 33,000 PSI min. yield
- Standard finishes: ZN
- Wt./C 72 Lbs. (32.6 kg)

## B478HP With Plastic Bearings

- Design Load 20 Lbs. (.090 kN)



Design Load

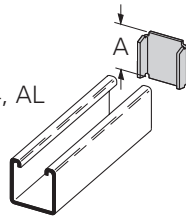
Reference page 106 for general fitting and standard finish specifications.



# Miscellaneous fittings

## B203-B206 & B220-B223 Channel End Caps Type X

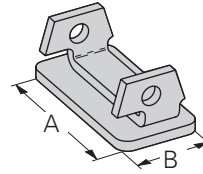
- Material: ASTM A1011 CS Type B
- Standard finishes: ZN, GRN, HDG, SS4, AL



Part No.	Use With	A In. mm	Wt./C Lbs. kg
B203	B42	1.015 (25.8)	6 (2.7)
B204	B54	.827 (21.0)	5 (2.2)
B205	B22	1.640 (41.6)	10 (4.5)
B206	B32	1.390 (35.3)	8 (3.6)
B220	B52	.827 (21.0)	4 (1.8)
B221	B12	2.452 (62.3)	15 (6.8)
B222	B11	3.265 (82.9)	20 (9.1)
B223	B24	1.640 (41.6)	10 (4.5)

## B283-B286 Channel End Caps

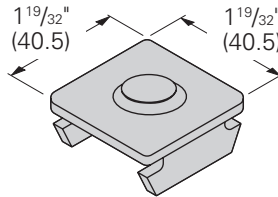
- Material: ASTM A1011 33,000 PSI min. yield
- Standard finishes: ZN, GRN



Part No.	Use With	A In. mm	B In. mm	Wt./C Lbs. kg
B283	B52	1 <sup>19</sup> / <sub>32</sub> " (40.5)	2 <sup>5</sup> / <sub>32</sub> " (19.8)	6 (2.7)
B284	B54	1 <sup>19</sup> / <sub>32</sub> " (40.5)	2 <sup>5</sup> / <sub>32</sub> " (19.8)	6 (2.7)
B285	B22	1 <sup>19</sup> / <sub>32</sub> " (40.5)	1 <sup>19</sup> / <sub>32</sub> " (40.5)	13 (5.9)
B286	B24	1 <sup>19</sup> / <sub>32</sub> " (40.5)	1 <sup>19</sup> / <sub>32</sub> " (40.5)	14 (6.3)

## B287 & B288 Channel End Caps

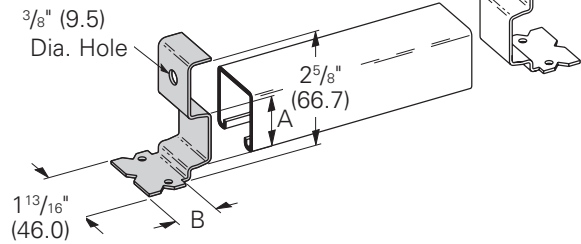
- Material: ASTM A1011 33,000 PSI min. yield
- Standard finishes: ZN, GRN



Part No.	Use With	Wt./C Lbs. kg
B287	B22	13 (5.9)
B288	B24	14 (6.3)

## B3322, B3332, B3342, B3352 Anchor End Caps Type Y

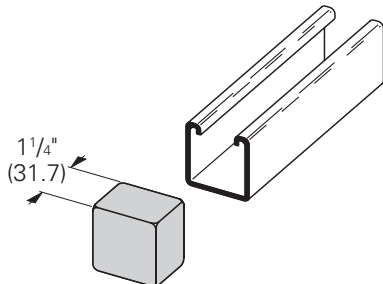
- Material: ASTM A1011 33,000 PSI min. yield
- Standard finishes: ZN



Part No.	Use With	A In. mm	B In. mm	Wt./C Lbs. kg
B3322	B22I	1.270 (32.2)	1 <sup>3</sup> / <sub>16</sub> " (30.2)	15 (6.8)
B3332	B32I	1.000 (25.4)	1 <sup>3</sup> / <sub>16</sub> " (30.2)	15 (6.8)
B3342	B42I	.645 (16.4)	1 <sup>1</sup> / <sub>4</sub> " (31.8)	15 (6.8)
B3352	B52I	.460 (11.7)	1 <sup>5</sup> / <sub>16</sub> " (33.3)	15 (6.8)

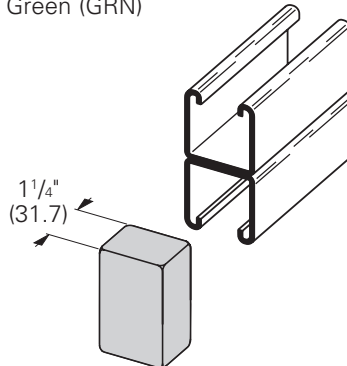
## B822 Plastic End Cap for B22 & B24

- Material: Polyvinyl Chloride (PVC/Vinyl)
- Withstands intermittent temperatures up to 350°F (177°C) and 200°F (93°C) continuous
- Wt./C 3 Lbs. (1.3 kg)
- Available in colors: White (W), Yellow (Y), Black (BLK), Gray (GRY), Green (GRN)



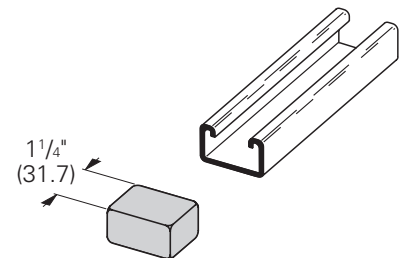
## B822A Plastic End Cap for B22A & B11

- Material: Polyvinyl Chloride (PVC/Vinyl)
- Withstands intermittent temperatures up to 350°F (177°C) and 200°F (93°C) continuous
- Wt./C 5 Lbs. (2.2 kg)
- Available in colors: White (W), Yellow (Y), Black (BLK), Gray (GRY), Green (GRN)



## B852 Plastic End Cap for B52 & B54

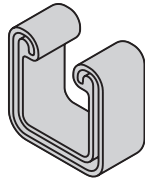
- Material: Polyvinyl Chloride (PVC/Vinyl)
- Withstands intermittent temperatures up to 350°F (177°C) and 200°F (93°C) continuous
- Wt./C 2.5 Lbs. (1.1 kg)
- Available in colors: White (W), Yellow (Y), Black (BLK), Gray (GRY), Green (GRN)



Reference page 106 for general fitting and standard finish specifications.

## B823 Profile End Caps

- Material: Polyvinyl Chloride (PVC/Vinyl)
- Withstands intermittent temperatures up to 350°F (177°C) and 200°F (93°C) continuous
- Available in colors: White (W), Yellow (Y), Black (BLK), Gray (GRY), Green (GRN)

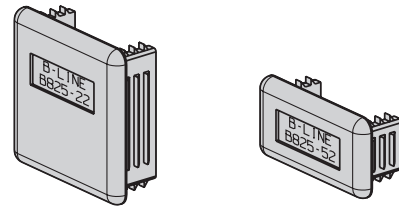


Approx. 3/4" deep  
(19.0)

Part No.	Fits Channel Sizes	Wt./C Lbs. kg
<b>B823-22A</b>	B22A, B24A, B26A	6.9 (3.1)
<b>B823-22</b>	B22, B24, B26	4.1 (1.8)
<b>B823-42</b>	B42	3.8 (1.7)
<b>B823-52</b>	B52, B54, B56	3.5 (1.6)

## B825 Plastic End Caps

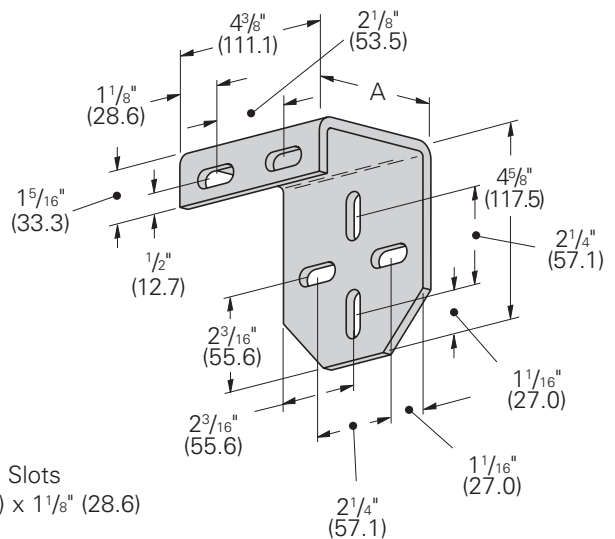
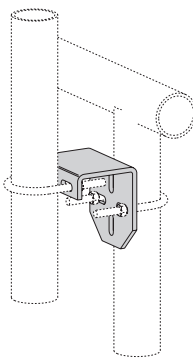
- Material: Polyurethane
- Available in colors: Gray (GRY), Green (GRN)



Part No.	Fits Channel Sizes	Wt./C Lbs. kg
<b>B825-22</b>	B22 & B24	2.0 (0.9)
<b>B825-52</b>	B52 & B54	1.0 (0.4)

## B408SLBVNS Series Stand-Off Brackets

- Material: 1/4" (6.3)
- Standard Finishes: HDG, ZN, GRN
- For pipe or rigid conduit sizes of 1 1/2" (40) and 2" (50) use with B501 Series 'U'-Bolts (see page 53)
- For strut channels 1 5/8" (41.3) wide use with B500 Series Square 'U'-Bolts (see page 53)
- Hardware is not included



Part No.	A In. (mm)	Wt./C Lbs. kg
<b>B408SLBVNS</b>	3 1/2" (88.9)	189 (85.7)
<b>B408SLBVNS1</b>	3" (76.2)	220 (99.8)
<b>B408SLBVNS2</b>	2" (50.8)	236 (107.0)

Reference page 106 for general fitting and standard finish specifications.

# Beam clamps



Our beam attachments and pipe supports offered in this section are designed to provide supports without drilling or welding. A complete selection of beam clamps, pipe clamps, rollers, supports and accessories are designed for use with our channels and offer many installation advantages.

### Materials & Finishes (Unless otherwise noted)

Pipe clamps, pipe hangers, beam clamps, brackets, and rollers are made from low carbon steel strips, plates or rod unless noted.

**Note:** A minimum order may apply on special material and finishes.

### Load Data

The load data published includes a safety factor of 5.0 unless noted (safety factor = ratio of ultimate load to the design load).

### Recommended Torque For Setscrews (unless noted)

See chart on page 106 for recommended torquing of bolts (not setscrews).

### Metric

Metric dimensions are shown in parentheses. Unless noted, all metric dimensions are in millimeters.

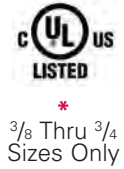
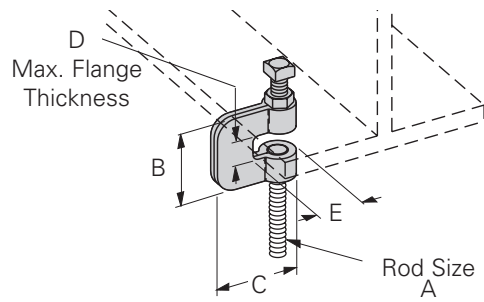
Finish Code	Finish	Specification
PLN	Plain	ASTM A1018 Gr. 33 ASTM A1011 SS Grade 33
ZN	Electro-Plated Zinc	ASTM B633 SC3 Type III or ASTM A653
GRN	DURA GREEN™	
-	Malleable Iron	ASTM A47 Gr. 32510
HDG	Hot-Dipped Galvanized	ASTM A123
CZ	Chromium Zinc	ASTM F1136 Gr. 3
SS4	Stainless Steel Type 304	ASTM A240
SS6	Stainless Steel Type 316	ASTM A240
AL	Aluminum	ASTM B209

Setscrew Size	1/4"-20	3/8"-16	1/2"-13
Foot/Lbs.	4	5	11
Nm	5	7	15

Setscrew Size	5/8"-11	3/4"-10
Foot/Lbs.	21	34
Nm	28	46

## B351L Steel C-Clamp with Locknut

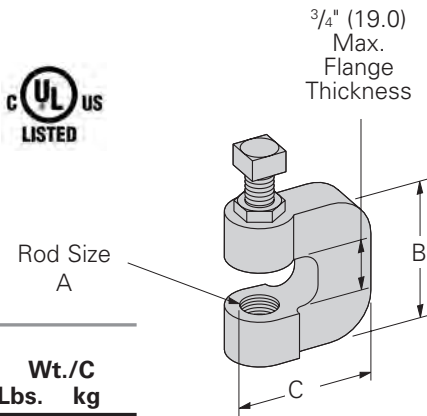
- Safety Factor of 5
- Setscrew and locknut included
- When Retaining Strap is required, order B3362, B3363 or B3365 separately
- Standard finishes: ZN, SS4, PLN



Part Number With Locknut	Rod Size A	B		C		D		E		Design Load Lbs. kN	Wt./C Lbs. kg
		In.	mm	In.	mm	In.	mm	In.	mm		
B351L- <sup>3</sup> / <sub>8</sub> *	<sup>3</sup> / <sub>8</sub> "-16	2 <sup>3</sup> / <sub>8</sub> "	(60.3)	2 <sup>3</sup> / <sub>8</sub> "	(60.3)	<sup>3</sup> / <sub>4</sub> "	(19.0)	1 <sup>3</sup> / <sub>8</sub> "	(34.9)	230 (1.03)	41 (18.6)
B351L- <sup>1</sup> / <sub>2</sub> *	<sup>1</sup> / <sub>2</sub> "-13	2 <sup>3</sup> / <sub>8</sub> "	(60.3)	2 <sup>3</sup> / <sub>8</sub> "	(60.3)	<sup>3</sup> / <sub>4</sub> "	(19.0)	1 <sup>3</sup> / <sub>8</sub> "	(34.9)	380 (1.71)	41 (18.6)
B351L- <sup>5</sup> / <sub>8</sub> *	<sup>5</sup> / <sub>8</sub> "-11	2 <sup>3</sup> / <sub>8</sub> "	(60.3)	2 <sup>1</sup> / <sub>4</sub> "	(57.1)	<sup>3</sup> / <sub>4</sub> "	(19.0)	1 <sup>3</sup> / <sub>8</sub> "	(34.9)	550 (2.47)	60 (27.2)
B351L- <sup>3</sup> / <sub>4</sub> *	<sup>3</sup> / <sub>4</sub> "-10	2 <sup>3</sup> / <sub>8</sub> "	(60.3)	3 <sup>1</sup> / <sub>4</sub> "	(82.5)	<sup>3</sup> / <sub>4</sub> "	(19.0)	1 <sup>3</sup> / <sub>8</sub> "	(34.9)	630 (2.83)	71 (32.2)
B351L- <sup>7</sup> / <sub>8</sub>	<sup>7</sup> / <sub>8</sub> "-9	3"	(76.2)	3 <sup>1</sup> / <sub>4</sub> "	(82.5)	1"	(25.4)	1 <sup>7</sup> / <sub>8</sub> "	(47.6)	1200 (5.34)	184 (83.4)

## B3036L C-Clamp with Locknut

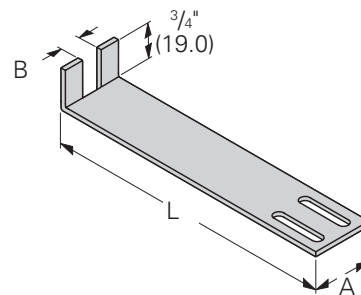
- Safety Factor of 5
- When Retaining Strap is required, order B3363 or B3364 separately
- Setscrew and locknut included
- Material: Malleable iron
- Standard finishes: ZN, PLN



Part Number With Locknut	Rod Size A	B		C	Design Load Lbs. kN	Wt./C Lbs. kg	
		In.	mm				
B3036L- <sup>3</sup> / <sub>8</sub>	<sup>3</sup> / <sub>8</sub> "-16	1 <sup>3</sup> / <sub>4</sub> "	(44.4)	1 <sup>3</sup> / <sub>4</sub> "	(44.4)	300 (0.89)	29 (13.1)
B3036L- <sup>1</sup> / <sub>2</sub>	<sup>1</sup> / <sub>2</sub> "-13	1 <sup>3</sup> / <sub>4</sub> "	(44.4)	1 <sup>3</sup> / <sub>4</sub> "	(44.4)	380 (1.69)	28 (12.7)
B3036L- <sup>5</sup> / <sub>8</sub>	<sup>5</sup> / <sub>8</sub> "-11	2"	(50.8)	1 <sup>7</sup> / <sub>8</sub> "	(47.6)	530 (2.36)	55 (24.9)
B3036L- <sup>3</sup> / <sub>4</sub>	<sup>3</sup> / <sub>4</sub> "-10	2"	(50.8)	2"	(50.8)	530 (2.36)	72 (32.6)

## B3362 thru B3365 Retaining Strap

- †When ordering specify L (Length) as a suffix to the part number
- Material: 14 gauge (1.9)
- Standard finishes: GALV, SS4



Part No.	Wt./C for Length L of				A In. mm	B In. mm	For Use With
	6" (152.4) Lbs. kg	8" (203.2) Lbs. kg	10" (254.0) Lbs. kg	12" (304.8) Lbs. kg			
B3362†	17 (7.7)	24 (10.9)	31 (14.0)	38 (17.2)	1 <sup>1</sup> / <sub>4</sub> " (31.7)	<sup>7</sup> / <sub>16</sub> " (11.1)	B351- <sup>3</sup> / <sub>8</sub> & <sup>1</sup> / <sub>2</sub>
B3363†	16 (7.2)	23 (10.4)	30 (13.6)	37 (16.8)	1 <sup>1</sup> / <sub>4</sub> " (31.7)	<sup>5</sup> / <sub>8</sub> " (15.9)	B351- <sup>5</sup> / <sub>8</sub> & <sup>3</sup> / <sub>4</sub> B3036- <sup>3</sup> / <sub>8</sub> & <sup>1</sup> / <sub>2</sub>
B3364†	16 (7.2)	23 (10.4)	30 (13.6)	37 (16.8)	1 <sup>1</sup> / <sub>4</sub> " (31.7)	<sup>11</sup> / <sub>16</sub> " (17.4)	B3036- <sup>5</sup> / <sub>8</sub> & <sup>3</sup> / <sub>4</sub>
B3365†	21 (9.5)	29 (13.1)	37 (16.8)	46 (20.8)	1 <sup>1</sup> / <sub>2</sub> " (38.1)	<sup>3</sup> / <sub>4</sub> " (19.0)	B351- <sup>7</sup> / <sub>8</sub>

† See note above.

Reference page 154 for general fitting and standard finish specifications.

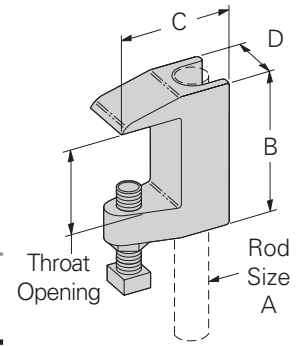
# Beam clamps

## B3033 Reversible Wide Jaw Wedge C-Clamp (Malleable Iron)

- Safety Factor of 5
- Setscrew and locknut included
- Material: Malleable iron
- Standard finishes: HDG with ZN hardware, PLN



Throat Openings  
 1 1/4" (31.7) For  
 3/8 & 1/2 Sizes  
 1 5/16" (33.3) For  
 5/8 & 3/4 Sizes



Part No.	Rod Size A	B		C		D		Design Load		Wt./C		UL Max. Pipe Size In. mm
		In.	mm	In.	mm	In.	mm	Lbs.	kN	Lbs.	kg	
B3033-3/8	3/8"-16	2 1/4"	(57.1)	2"	(50.8)	1 1/8"	(28.6)	500	(2.22)	46	(20.8)	4" (100)
B3033-1/2	1/2"-13	2 5/16"	(58.7)	2 3/16"	(55.5)	1 1/4"	(31.7)	810	(3.60)	64	(29.0)	8" (200)
B3033-5/8	5/8"-11	2 5/8"	(66.7)	2 1/2"	(63.5)	1 3/8"	(34.9)	1000	(4.48)	116	(52.6)	8" (200)
B3033-3/4	3/4"-10	2 11/16"	(68.3)	2 1/2"	(63.5)	1 7/16"	(36.5)	1400	(6.22)	140	(63.5)	10" (250)

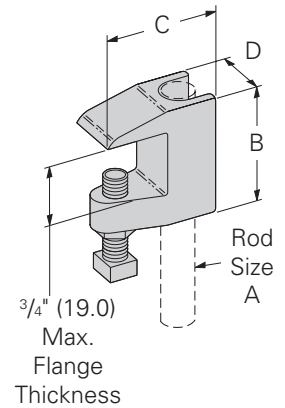
## B3034 Wedge C-Clamp

- Safety Factor of 5
- 3/4" (19.0) Max. flange thickness
- Setscrew and locknut included
- Material: Malleable iron
- Standard finishes: HDG with ZN hardware, PLN

Note:  
 3/8" & 1/2" Sizes  
 Are Reversible  
 Style



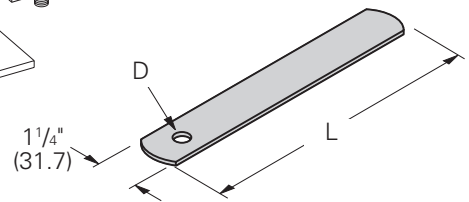
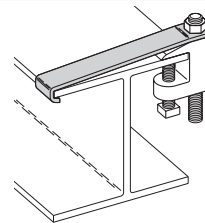
\* 3/8 & 1/2 Sizes Only



Part No.	Rod Size A	B		C		D		Design Load		Wt./C		UL Max. Pipe Size In. mm
		In.	mm	In.	mm	In.	mm	Lbs.	kN	Lbs.	kg	
B3034-3/8*	3/8"-16	1 5/8"	(41.3)	2"	(50.8)	7/8"	(22.2)	560	(2.49)	54	(24.5)	4" (100)
B3034-1/2*	1/2"-13	1 13/16"	(46.0)	2 3/16"	(55.5)	1 3/16"	(30.2)	810	(3.60)	51	(23.1)	8" (200)
B3034-5/8	5/8"-11	1 3/4"	(44.5)	2 1/8"	(54.0)	1 1/8"	(28.6)	1000	(4.48)	70	(31.7)	—
B3034-3/4	3/4"-10	2"	(50.8)	2 1/4"	(57.2)	1 1/8"	(28.6)	1500	(6.67)	98	(44.4)	—

## Fig. 69 (Formally B-Line B3367) Retaining Strap

- Specify 'L' lengths required
- Minimum recommended return on strap is 1" (25.4)
- Material: Pre-Galvanized Steel
- Standard finishes: GALV

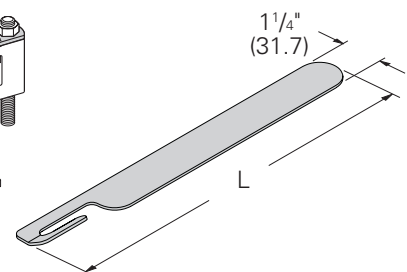
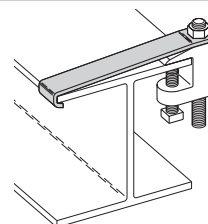


Part No.	Hole Dia. D In. mm	For Use	Wt./C** Lbs. kg
69-3/8-L	7/16" (30.1)	B3033-3/8, B3034-3/8 & 65XT-3/8	23.9 (10.8)
69-1/2-L	9/16" (30.1)	B3033-1/2 & B3034-1/2	23.6 (10.7)
69-5/8-L	1 1/16" (50.8)	B3033-5/8	23.2 (10.5)
69-3/4-L	1 3/16" (63.5)	B3033-3/4	22.7 (10.3)

\*\* Wt./C based on 6" (152.4) length.  
 For each additional inch in strap  
 length add 4.2 Lbs (1.9 kg) to Wt./C.

## Fig. 69R Retrofit Retaining Strap

- Specify 'L' lengths required
- Minimum recommended return on strap is 1" (25.4)
- Material: Pre-Galvanized Steel
- Standard finishes: GALV



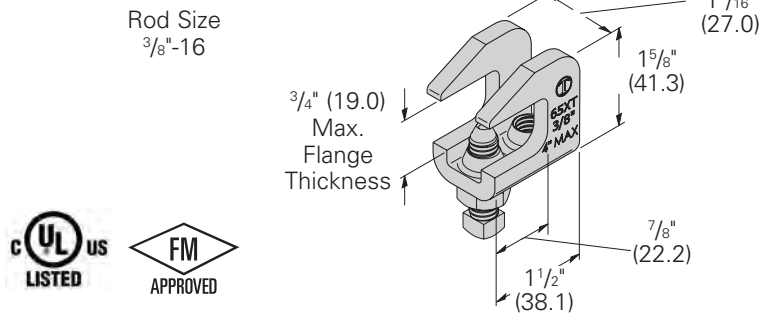
Part No.	Slot Width In. mm	For Use	Wt./C** Lbs. kg
69R-3/8-L	7/16" (30.1)	B3033-3/8, B3034-3/8 & 65XT-3/8	22.9 (10.4)
69R-1/2-L	9/16" (30.1)	B3033-1/2 & B3034-1/2	22.6 (10.2)

\*\* Wt./C based on 6" (152.4) length.  
 For each additional inch in strap  
 length add 4.2 Lbs (1.9 kg) to Wt./C.

Reference page 154 for general fitting and standard finish specifications.

**Fig. 65XT**  
**Reversible C-Type Beam Clamp**

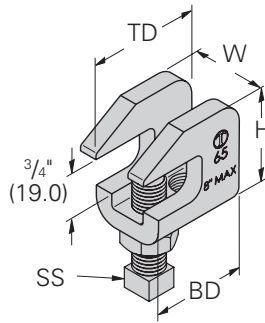
- Safety Factor of 5
- 3/4" (19.0) Max. flange thickness
- Setscrew and locknut included
- Maximum pipe size 4" (100)
- Design Load 610 Lbs. (2.71kN)
- Material: Steel
- Standard finishes: ZN, PLN



**Fig. 65**  
**Reversible Steel C-Type Beam Clamp - 3/4" (19.0mm) Throat Opening**

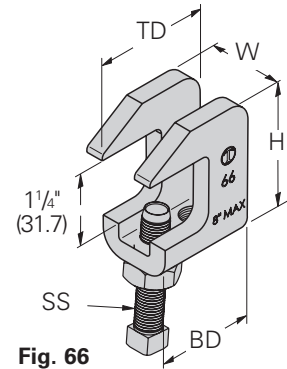
**Fig. 66**  
**Reversible Steel C-Type Beam Clamp - 1 1/4" (31.7mm) Throat Opening**

- Safety Factor of 5
- Maximum pipe size 4" (100) for 3/8"-16 rods
- Maximum pipe size 8" (100) for 1/2"-13 rods
- Material: Steel
- Standard finishes: ZN, PLN



**Fig. 65**

Setscrews and locknuts included



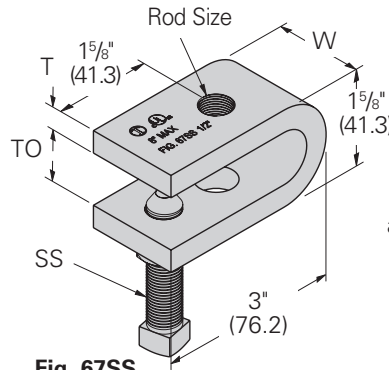
**Fig. 66**

Part No.	Rod Size	Set Screw SS	TD in. (mm)	BD in. (mm)	H in. (mm)	W in. (mm)	Mac. Rec Load* Lbs. (kN)	Approx. Wt./100 Lbs. (kg)
65-1/2	1/2"-13	1/2"-13 x 1 3/4"	1 15/16" (49.2)	1 5/8" (41.3)	1 7/8" (47.6)	1 1/4" (31.7)	1130 (31.7)	55 (24.9)
65-5/8	5/8"-11	1/2"-13 x 1 3/4"	1 15/16" (49.2)	1 5/8" (41.3)	1 7/8" (47.6)	1 1/4" (31.7)	1130 (31.7)	55 (24.9)
66-3/8	3/8"-16	3/8"-16 x 2"	1 1/2" (38.1)	1 13/32" (35.7)	2 3/16" (55.6)	1" (25.4)	610 (2.71)	28 (12.7)
66-1/2	1/2"-13	1/2"-13 x 2"	2" (50.8)	1 21/32" (42.0)	2 7/16" (61.9)	1 1/4" (31.7)	1130 (31.7)	55 (24.9)
66-5/8	5/8"-11	1/2"-13 x 1 3/4"	2" (50.8)	1 21/32" (42.0)	2 7/16" (61.9)	1 1/4" (31.7)	1130 (31.7)	55 (24.9)

\* Maximum loads for clamp with set screw in up or down position.

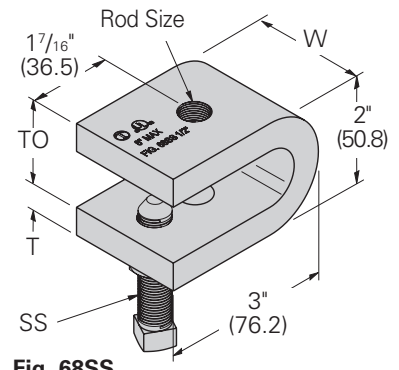
**Fig. 67SS & Fig. 68SS**  
**Reversible Stainless Steel C-Type Beam Clamp**

- Safety Factor of 5
- Maximum pipe size 4" (100) for 3/8"-16 rods
- Maximum pipe size 8" (100) for 1/2"-13 rods
- Material: Stainless Steel
- Standard finishes: ZN, PLN



**Fig. 67SS**

Setscrews and locknuts included



**Fig. 68SS**

Part No.	Rod Size	Set Screw SS	T in. (mm)	W in. (mm)	TO in. (mm)	Mac. Rec Load* Lbs. (kN)	Approx. Wt./100 Lbs. (kg)
67SS-3/8	3/8"-16	3/8"-16 x 1 1/2"	3/8" (9.6)	1" (25.4)	7/8" (22.2)	1500 (6.67)	68 (30.8)
67SS-1/2	1/2"-13	1/2"-13 x 2"	3/8" (9.6)	1 1/2" (38.1)	7/8" (22.2)	4050 (18.0)	107 (48.5)
68SS-3/8	3/8"-16	3/8"-16 x 1 1/2"	3/8" (9.6)	1 1/2" (38.1)	1 1/4" (31.7)	1500 (6.67)	84 (38.1)
68SS-1/2	1/2"-13	1/2"-13 x 2"	1/2" (12.7)	2" (50.8)	1" (25.4)	4050 (18.0)	170 (77.1)

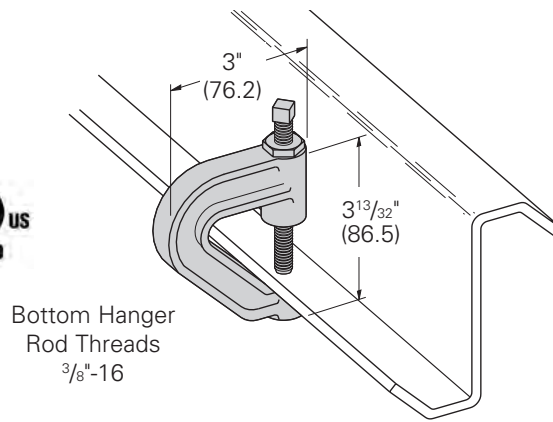
Reference page 154 for general fitting and standard finish specifications.



# Beam clamps

## B3037Z Z-Purlin C-Clamp

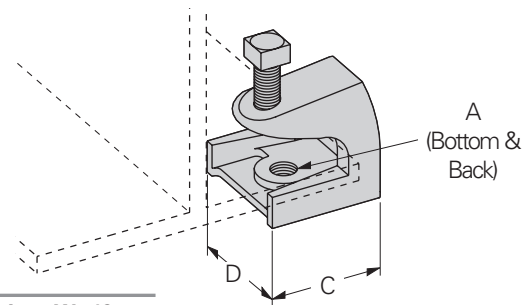
- Design Load 500 Lbs. (2.22 kN)
- Safety Factor of 5
- Designed for attaching a 3/8"-16 hanger rod to the bottom flange of a Z-purlin
- Setscrew and locknut included
- Material: Malleable iron
- Standard finishes: ZN, PLN



Beam Clamps

## B444 Series Rod Support

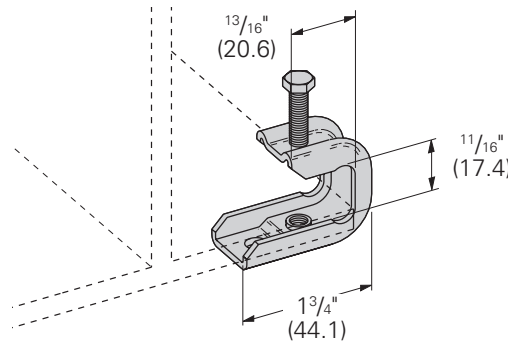
- Safety Factor of 5
- Max. flange thickness  
3/4" (19.0) for 1/4" & 5/16" sizes  
1" (25.4) for 3/8" & 1/2" sizes
- Setscrew included
- Material: Malleable iron
- Standard finish: ZN, available in HDG with CZ Hardware



Part No.	Thread Size A	Set Screw	C		D		Design Load		Wt./C	
			In.	mm	In.	mm	Lbs.	kN	Lbs.	kg
B444-1/4	1/4"-20	1/4"-20	1 3/8"	(34.9)	1 3/16"	(30.1)	150	(.66)	24	(10.9)
B444-5/16	5/16"-18	1/4"-20	1 3/8"	(34.9)	1 3/16"	(30.1)	150	(.66)	23	(10.4)
B444-3/8	3/8"-16	1/2"-13	1 7/8"	(47.6)	2"	(50.8)	350	(7.12)	65	(29.5)
B444-1/2	1/2"-13	5/8"-11	2 3/8"	(60.3)	2 1/2"	(63.5)	1000	(4.45)	132	(59.9)

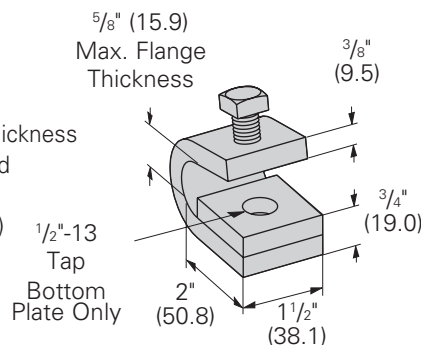
## BC442 Light Duty Beam Clamp

- Design Load 75 Lbs. (.33 kN)
- Safety Factor of 5
- 1 1/16" (17.5) Max. flange thickness
- Setscrew included
- Holes tapped 1/4"-20 (bottom & back)
- Material: 13 gauge (2.3)
- Standard finish: ZN
- Wt./C 13 Lbs. (3.9 kg)



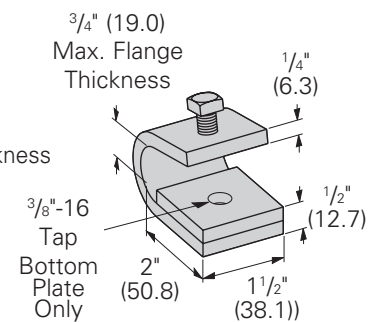
## B210 Beam Clamp

- Design Load 800 Lbs. (3.56 kN)
- Safety Factor of 5
- 5/8" (15.9) Max. flange thickness
- 1/2"-13 Setscrew included
- Standard finish: ZN
- Wt./C 100 Lbs. (45.3 kg)



## B210A Beam Clamp

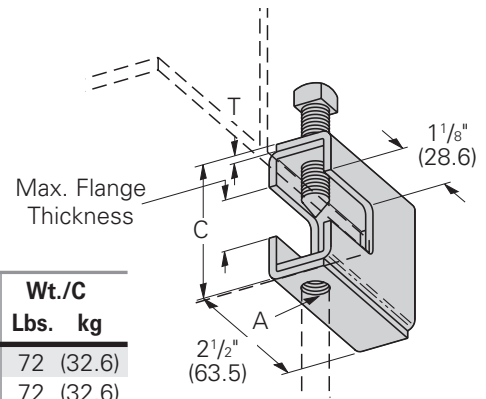
- Design Load 300 Lbs. (1.33 kN)
- Safety Factor of 5
- 3/4" (19.0) Max. flange thickness
- 3/8"-16 Setscrew included
- Standard finish: ZN
- Wt./C 60 Lbs. (27.2 kg)



Reference page 154 for general fitting and standard finish specifications.

## B303 thru B309 Beam Clamps

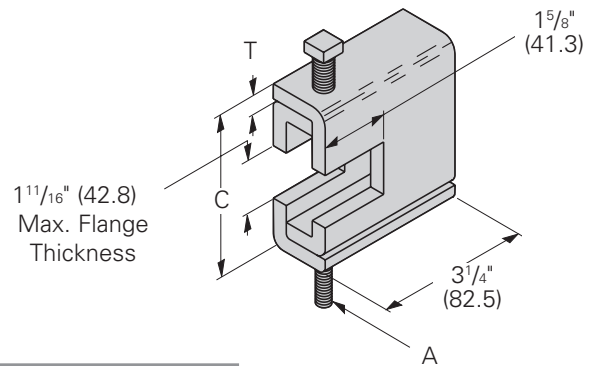
- Safety Factor of 5
- Max. flange thickness  $\frac{1}{16}$ " (1.6) thru  $\frac{7}{8}$ " (22.2)
- Setscrew included
- When retaining strap is required, order B312 separately
- Recommended setscrew torque:  $\frac{3}{8}$ "-16 150 in-lbs. (16.9 N•m)  
 $\frac{1}{2}$ "-13 350 in-lbs. (39.5 N•m)
- Standard finishes: ZN, HDG



Part No.	Thread Size A	Set Screw	C		D		Design Load		Wt./C	
			In.	mm	In.	mm	Lbs.	kN	Lbs.	kg
B303	$\frac{1}{4}$ "-20	$\frac{3}{8}$ "-16	$2\frac{5}{16}$ "	(58.7)	11 Ga.	(3.0)	400	(1.78)	72	(32.6)
B304	$\frac{5}{16}$ "-18	$\frac{3}{8}$ "-16	$2\frac{5}{16}$ "	(58.7)	11 Ga.	(3.0)	600	(2.67)	72	(32.6)
B305	$\frac{3}{8}$ "-16	$\frac{3}{8}$ "-16	$2\frac{5}{16}$ "	(58.7)	11 Ga.	(3.0)	600	(2.67)	72	(32.6)
B306	$\frac{3}{8}$ "-16	$\frac{1}{2}$ "-13	$2\frac{7}{16}$ "	(61.9)	7 Ga.	(4.5)	1100	(4.89)	97	(44.0)
B307	$\frac{1}{2}$ "-13	$\frac{1}{2}$ "-13	$2\frac{7}{16}$ "	(61.9)	7 Ga.	(4.5)	1100	(4.89)	97	(44.0)
B308	$\frac{1}{2}$ "-13	$\frac{1}{2}$ "-13	$2\frac{9}{16}$ "	(65.1)	$\frac{1}{4}$ "	(6.3)	1500	(6.67)	133	(60.3)
B309	$\frac{5}{8}$ "-11	$\frac{1}{2}$ "-13	$2\frac{9}{16}$ "	(65.1)	$\frac{1}{4}$ "	(6.3)	1500	(6.67)	133	(60.3)

## B321 Series Beam Clamps

- Safety Factor of 5
- $1\frac{1}{16}$ " (42.8) Max. Flange Thickness
- Setscrew included
- When retaining strap is required, order B312 separately
- Recommended setscrew torque:  $\frac{1}{2}$ "-13 350 in-lbs. (39.5 N•m)  
 $\frac{5}{8}$ "-11 700 in-lbs. (79.0 N•m)
- Minimum flange thickness: B321-1 thru B321-3  $\frac{1}{4}$ " (6.3)  
B321-4 and B321-5  $\frac{3}{8}$ " (9.5)
- Standard finishes: ZN, HDG

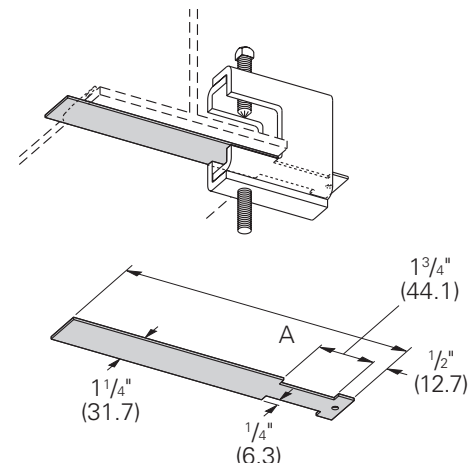


Part No.	Thread Size A	Setscrew Size	C		D		Design Load		Wt./C	
			In.	mm	In.	mm	Lbs.	kN	Lbs.	kg
B321-1	$\frac{3}{8}$ "-16	$\frac{1}{2}$ "-13	$3\frac{9}{16}$ "	(92.1)	$\frac{1}{4}$ "	(6.3)	1300	(5.78)	187	(84.8)
B321-2	$\frac{1}{2}$ "-13	$\frac{1}{2}$ "-13	$3\frac{9}{16}$ "	(92.1)	$\frac{1}{4}$ "	(6.3)	1400	(6.23)	186	(84.3)
B321-3	$\frac{5}{8}$ "-11	$\frac{1}{2}$ "-13	$3\frac{9}{16}$ "	(92.1)	$\frac{1}{4}$ "	(6.3)	1600	(7.12)	185	(83.9)
B321-4	$\frac{5}{8}$ "-11	$\frac{5}{8}$ "-11	$3\frac{23}{32}$ "	(94.4)	$\frac{5}{16}$ "	(7.9)	1800	(8.00)	239	(108.4)
B321-5	$\frac{3}{4}$ "-10	$\frac{5}{8}$ "-11	$3\frac{23}{32}$ "	(94.4)	$\frac{5}{16}$ "	(7.9)	2000	(8.89)	238	(107.9)

## B312 Series Retaining Strap for use with B303 thru B309 and B321 Series

- $\frac{3}{4}$ " (19.0) Max. flange thickness
- For thicker beams, step up one flange width size
- Material: 14 gauge (1.9)
- Standard finishes: GALV, HDG

Part No.	For Flange Width		A		Wt./C	
	In.	mm	In.	mm	Lbs.	kg
B312-6	6"	(152.4)	9"	(228.6)	22	(10.0)
B312-9	9"	(228.6)	12"	(304.8)	30	(13.6)
B312-12	12"	(304.8)	15"	(381.0)	40	(18.1)
B312-15	15"	(381.0)	18"	(457.2)	49	(22.2)

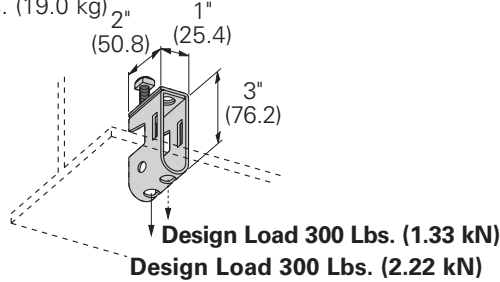


Reference page 154 for general fitting and standard finish specifications.

# Beam clamps

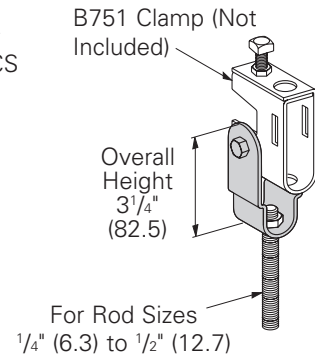
## B751 Beam Clamp

- Safety Factor of 5
- $\frac{3}{4}$ " (19.0) Max. flange thickness
- Setscrew and locknut included
- Maximum ATR size  $\frac{1}{2}$ "
- Use B753 Swivel nut (not included)
- Material: 12 gauge (2.6)
- Standard finish: ZN, HDG
- Wt./C 42 Lbs. (19.0 kg)



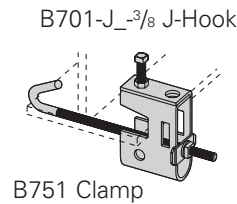
## B752 Beam Clamp Swivel

- Design Load 500 Lbs. (2.22 kN)
- Safety Factor of 5
- Material: 12 gauge (2.6)
- Use B753 Swivel nut (not included)
- Includes:
  - 1 pc. B752 Swivel body
  - 1 pc.  $\frac{5}{16}$ "-18 x  $1\frac{3}{4}$ " HHCS
  - 1 pc.  $\frac{5}{16}$ "-18 Hex nut
- Standard finish: ZN
- Wt./C 30 Lbs. (13.6 kg)



## B751-J $\frac{3}{8}$ " Beam Clamp Assembly

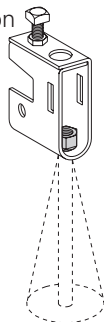
- Includes:
  - 1 pc. B751 Beam clamp
  - 1 pc. B701 Type J-Hook only
  - 1 pc. SA203-158 Clip
  - 1 pc.  $\frac{3}{8}$ "-16 Hex Nut
- $\frac{1}{4}$ " (6.3) Diameter J-Hook available upon request  
Part Number changes to B751-J- $\frac{1}{4}$ " and a  $\frac{1}{4}$ "-20 machine square nut (MSQN) is used
- Use B753 Swivel Nut (not included)
- Standard finishes: ZN



Part No.	For Flange Width		Wt./C	
	In.	mm	Lbs.	kg
<b>B751-J4-<math>\frac{3}{8}</math>"</b>	3"-6"	(76.2-152.4)	70	(31.7)
<b>B751-J6-<math>\frac{3}{8}</math>"</b>	5"-9"	(127.0-228.6)	78	(35.4)
<b>B751-J9-<math>\frac{3}{8}</math>"</b>	8"-12"	(203.2-304.8)	83	(37.6)
<b>B751-J12-<math>\frac{3}{8}</math>"</b>	11"-15"	(279.4-381.0)	88	(39.9)

## B753 Swivel Nut

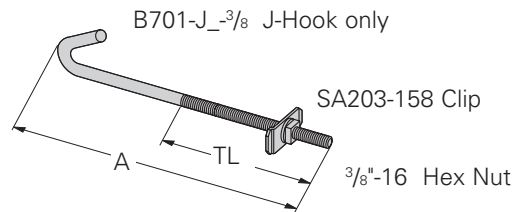
- Provides a full swivel of 15° in any direction  
Specify rod size
- Standard finish: ZN



Part No.	For Rod Size	Wt./C	
		Lbs.	kg
<b>B753-<math>\frac{3}{8}</math>"</b>	$\frac{3}{8}$ "-16	4.0	(1.8)
<b>B753-<math>\frac{1}{2}</math>"</b>	$\frac{1}{2}$ "-13	3.4	(1.5)

## B701 Series J-Hook

- $\frac{1}{4}$ " (6.3) Diameter J-Hook available upon request  
Part Number changes to B751-J- $\frac{1}{4}$ " and a  $\frac{1}{4}$ "-20 machine square nut (MSQN) is used
- Standard finish: ZN

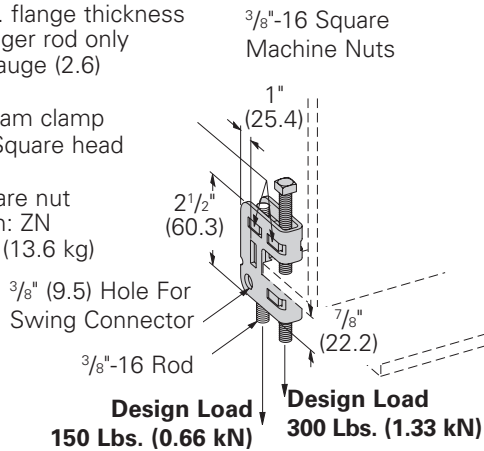


Part No.	A		Thread Length TL		Wt./C	
	In.	mm	In.	mm	Lbs.	kg
<b>B701-J4-<math>\frac{3}{8}</math>"</b>	$8\frac{3}{4}$ "	(222.2)	$5\frac{1}{2}$ "	(139.7)	26	(11.8)
<b>B701-J6-<math>\frac{3}{8}</math>"</b>	$11\frac{3}{4}$ "	(298.4)	$6\frac{1}{2}$ "	(165.1)	34	(15.4)
<b>B701-J9-<math>\frac{3}{8}</math>"</b>	$14\frac{3}{4}$ "	(374.6)	$6\frac{1}{2}$ "	(165.1)	41	(18.6)
<b>B701-J12-<math>\frac{3}{8}</math>"</b>	$17\frac{3}{4}$ "	(450.8)	$6\frac{1}{2}$ "	(165.1)	48	(21.8)

Reference page 154 for general fitting and standard finish specifications.

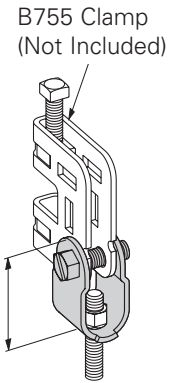
## B755 3/8" Beam Clamp

- Safety Factor of 5
- 5/8" (15.9) Max. flange thickness
- For 3/8"-16 Hanger rod only
- Material: 12 gauge (2.6)
- Includes:



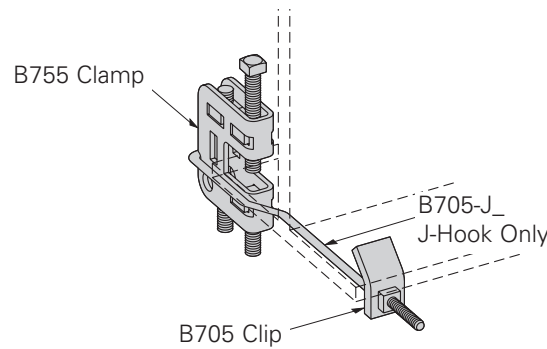
## B756-3/8 Swing Connector

- Design Load 150 Lbs. (0.66 kN)
- Safety Factor of 5
- Material: 12 gauge (2.6)
- Includes:



## B755-3/8 -J\_ Beam Clamp Assembly

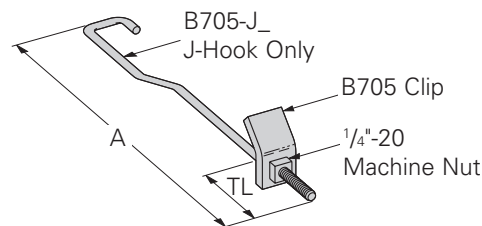
- Includes:



Part No.	For Flange Width		Wt./C	
	In.	mm	Lbs.	kg
<b>B755-3/8-J4</b>	4"-6"	(101.6-152.4)	47	(21.3)
<b>B755-3/8-J6</b>	6"-10"	(152.4-254.0)	51	(23.1)
<b>B755-3/8-J10</b>	10"-12"	(254.0-304.8)	53	(24.0)
<b>B755-3/8-J12</b>	12"-14"	(304.8-355.6)	55	(24.9)

## B705 Series J-Hook

- Use with B755-3/8
- Standard finish: ZN



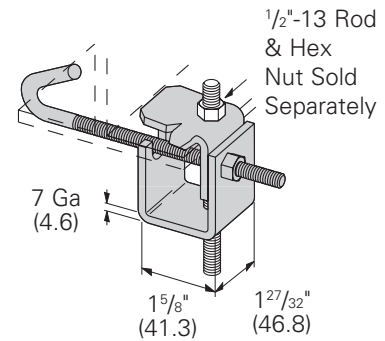
Part No.	A		Thread Length TL		Wt./C	
	In.	mm	In.	mm	Lbs.	kg
<b>B705-J4</b>	7 3/8"	(187.3)	3"	(76.2)	17	(7.7)
<b>B705-J6</b>	11 3/8"	(288.9)	4 1/2"	(114.3)	21	(9.5)
<b>B705-J10</b>	13 3/8"	(339.7)	4 1/2"	(114.3)	23	(10.4)
<b>B705-J12</b>	15 3/8"	(390.5)	4 1/2"	(114.3)	25	(11.3)

Reference page 154 for general fitting and standard finish specifications.

# Beam clamps

## B750 Series Beam Clamp

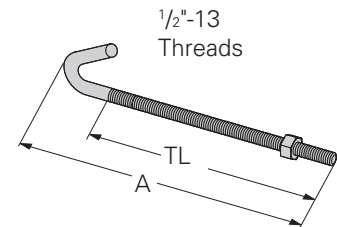
- Safety Factor of 5
- Design Load 500 Lbs. (2.22 kN)
- Recommended Torque: J-Hook nut 125 in-lbs. (14.1 N•m)
- Maximum flange thickness  $\frac{5}{8}$ " (15.9)
- Standard finish: ZN



Part No.	For Flange Width		Wt./C	
	In.	mm	Lbs.	kg
<b>B750-J4</b>	3"-6"	(76.2-152.4)	109	(49.4)
<b>B750-J6</b>	5"-9"	(127.0-228.6)	124	(56.2)
<b>B750-J9</b>	8"-12"	(203.2-304.8)	135	(61.2)
<b>B750-J12</b>	11"-15"	(279.4-381.0)	147	(66.7)

## B700 Series J-Hook

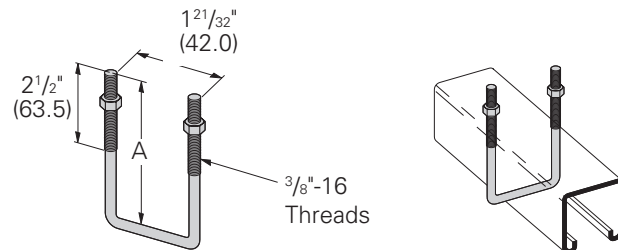
- Includes:
  - 1 pc. J-Bolt
  - 1 pc. Hex Nut
- Maximum flange thickness  $\frac{5}{8}$ " (15.9)
- Standard finish: ZN



Part No.	A		Thread Length TL		Wt./C	
	In.	mm	In.	mm	Lbs.	kg
<b>B700-J4</b>	8 1/2"	(215.9)	6 3/4"	(171.4)	44	(19.9)
<b>B700-J6</b>	11 1/2"	(292.1)	9 3/4"	(247.6)	53	(24.0)
<b>B700-J9</b>	14 1/2"	(368.3)	12 3/4"	(323.8)	63	(28.6)
<b>B700-J12</b>	17 1/2"	(444.5)	15 3/4"	(400.0)	78	(35.4)

## B500 Series Square U-Bolt

- Includes:
  - 1 pc. U-Bolt only
  - 2 pcs.  $\frac{3}{8}$ "-16 Hex nuts
- Additional sizes available
- Standard finish: ZN, SS4

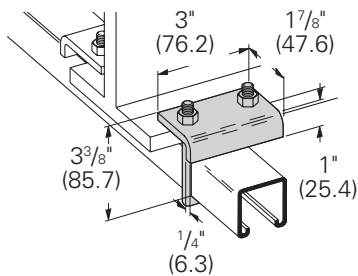


Part No.	In.		Channel Size		Wt./C	
	In.	mm	In.	mm	Lbs.	kg
<b>B500-3-3/8</b>	3 3/8"	(85.7)	1 5/8" x 1 5/8"	(41.3 x 41.3)	25	(11.3)
<b>B500-5</b>	5"	(127.0)	3 1/4" x 1 5/8"	(82.5 x 41.3)	33	(14.9)

Reference page 154 for general fitting and standard finish specifications.

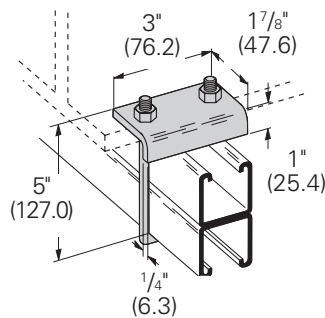
## B441-22 Beam Clamp

- Design Load 1850 Lbs. (8.23 kN) when used in pairs
- Safety Factor of 5
- $\frac{3}{4}$ " (19.0) Max. flange thickness
- For use with  $\frac{13}{16}$ " (20.6) to  $1\frac{5}{8}$ " (41.3) high channel
- Recommended Torque: 150 in-lbs. (16.9 N•m)
- Sold in pieces
- Other flange thickness variations are available, contact us for sizes
- Standard finishes: ZN, HDG, SS4
- Wt./C 87 Lbs. (39.4 kg)



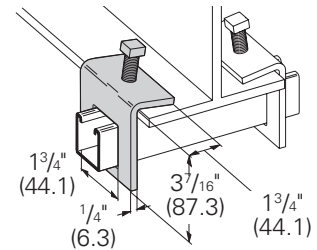
## B441-22A Beam Clamp

- Design Load 1850 Lbs. (8.23 kN) when used in pairs
- Safety Factor of 5
- $\frac{3}{4}$ " (19.0) Max. flange thickness
- For use with  $1\frac{5}{8}$ " (41.3) to  $3\frac{1}{4}$ " (82.5) high channel
- Recommended Torque: 150 in-lbs. (16.9 N•m)
- Sold in pieces
- Other flange thickness variations are available, contact us for sizes
- Standard finishes: ZN, HDG, SS4
- Wt./C 93 Lbs. (42.2 kg)



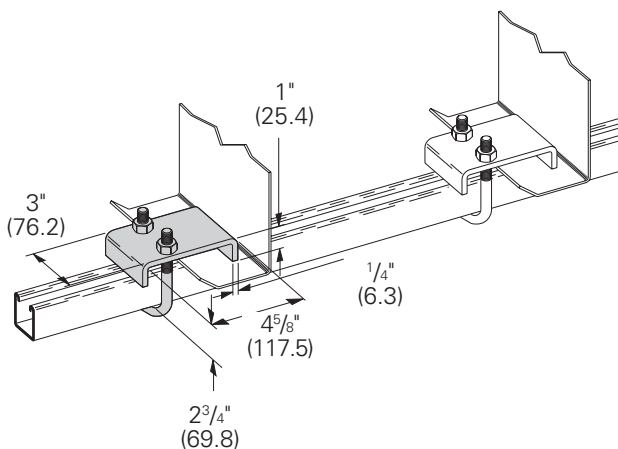
## B314 Beam Clamp

- Design Load 900 Lbs. (4.00 kN) when used in pairs
- Safety Factor of 5
- $\frac{5}{8}$ " (15.9) Max. flange thickness
- For use with channel  $1\frac{5}{8}$ " (41.3) in height
- Setscrew included
- Sold in pieces
- Standard finishes: ZN, GRN, HDG, SS4
- Wt./C 105 Lbs. (47.6 kg)



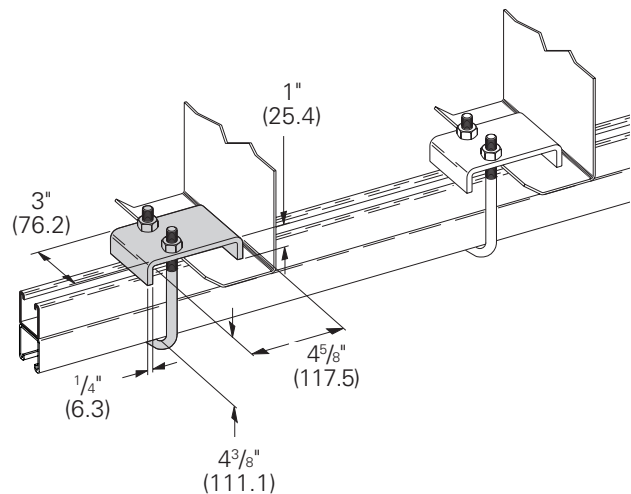
## B441Z-22 Beam Clamp

- Design Load 1200 Lbs. (5.34 kN) when used in series
- Safety Factor of 5
- Sold in pieces
- For use with  $\frac{13}{16}$ " (20.6) to  $1\frac{5}{8}$ " (41.3) high channel
- Recommended Torque: 150 in-lbs. (16.9 N•m)
- Standard finishes: ZN
- Wt./C 95 Lbs. (43.1 kg)



## B441Z-22A Beam Clamp

- Design Load 1200 Lbs. (5.34 kN) when used in series
- Safety Factor of 5
- Sold in pieces
- For use with  $1\frac{5}{8}$ " (41.3) to  $3\frac{1}{4}$ " (82.5) high channel
- Recommended Torque: 150 in-lbs. (16.9 N•m)
- Standard finishes: ZN
- Wt./C 101 Lbs. (45.8 kg)



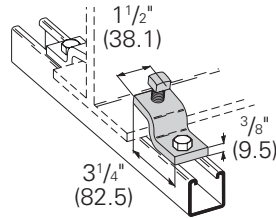
Reference page 154 for general fitting and standard finish specifications.



# Beam clamps

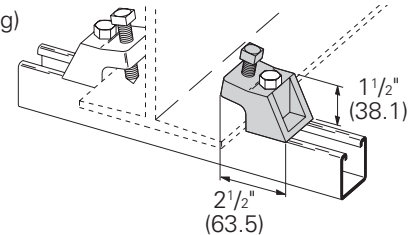
## B211 Zee Beam Clamp

- Design Load 600 Lbs. (2.67 kN) when used in pairs
- Safety Factor of 5
- 1" (25.4) Max. flange thickness
- 1/2"-13 Setscrew included
- Sold in pieces
- Order 1/2"-13 HHCS and channel nut separately
- Standard finishes: ZN, HDG
- Wt./C 66 Lbs. (29.9 kg)



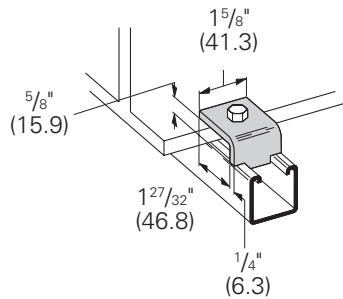
## B213 I-Beam Clamp

- Design Load 900 Lbs. (4.00 kN) when used in pairs
- Safety Factor of 5
- 7/8" (22.2) Max. flange thickness
- 1/2"-13 Setscrew included
- Sold in pieces
- Order 1/2"-13 x 2 1/4" HHCS and channel nut separately
- Material: Malleable iron
- Standard finishes: ZN, GRN
- Wt./C 95 Lbs. (43.1 kg)



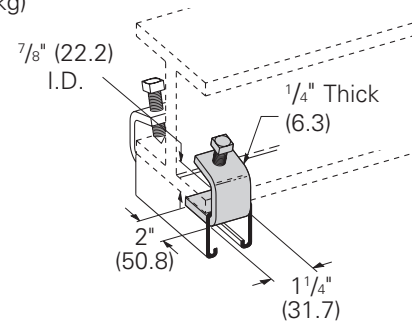
## B355 Beam Clamp

- Design Load 1200 Lbs. (5.34 kN) when used in pairs
- Safety Factor of 5
- 5/8" (15.9) Max. flange thickness
- Sold in pieces
- Order 1/2"-13 x 1 1/2" HHCS and channel nut separately
- Standard finishes: ZN, GRN, HDG, SS4
- Wt./C 30 Lbs. (13.6 kg)



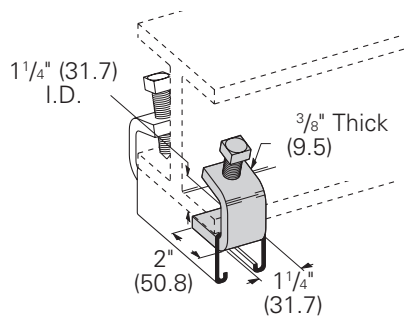
## B212-1/4 I-Beam Clamp

- Design Load 600 Lbs. (2.67 kN) when used in pairs
- Safety Factor of 5
- 7/8" (22.2) Max. flange thickness
- 3/8"-16 Setscrew included
- Sold in pieces
- Standard finish: ZN
- Wt./C 41 Lbs. (18.6 kg)



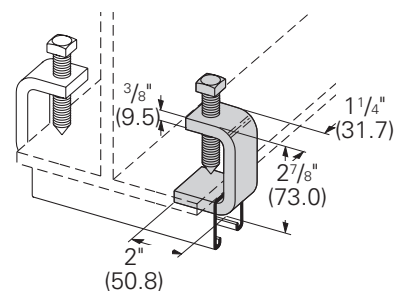
## B212-3/8 I-Beam Clamp

- Design Load 1000 Lbs. (4.45 kN) when used in pairs
- Safety Factor of 5
- 1 1/8" (28.6) Max. flange thickness
- 1/2"-13 Setscrew included
- Sold in pieces
- Standard finishes: ZN, HDG
- Wt./C 62 Lbs. (28.1 kg)



## B435 Beam Clamp

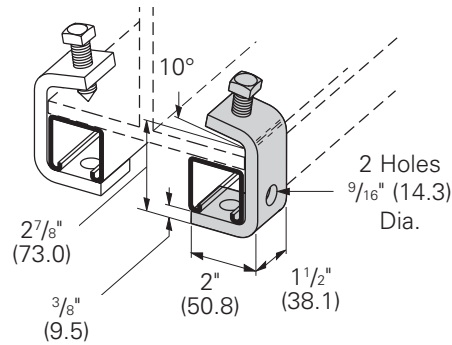
- Design Load 900 Lbs. (4.00 kN) when used in pairs
- Safety Factor of 5
- 2 1/8" (54.0) Max. flange thickness
- 1/2"-13 x 2" Setscrew included
- Sold in pieces
- Standard finish: ZN
- Wt./C 82 Lbs. (37.2 kg)



Reference page 154 for general fitting and standard finish specifications.

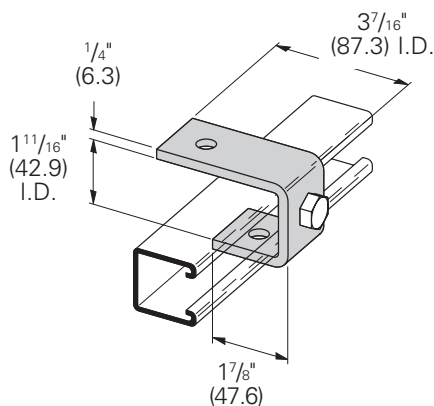
## B427 Beam Clamp

- Design Load 1100 Lbs. (4.89 kN) when used in pairs
- Safety Factor of 5
- 2 1/2" (63.5) Max. flange thickness without channel
- 1/2"-13 x 1 1/2" Setscrew included
- Sold in pieces
- Standard finish: ZN
- Wt./C 92 Lbs. (41.7 kg)



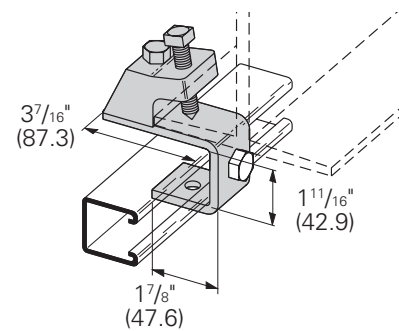
## B405 Suspension Member

- Standard finishes: ZN, GRN
- Wt./C 75 Lbs. (34.0 kg)



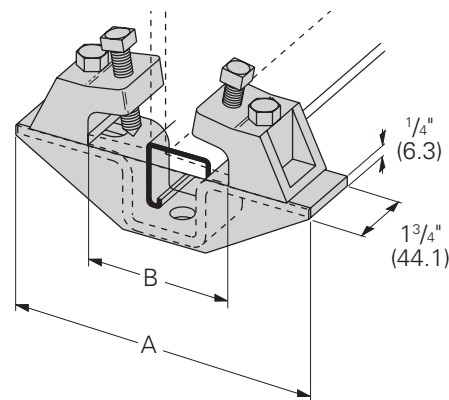
## B405A Suspension Member with Beam Clamp

- 7/8" (22.2) Max. flange thickness
- Includes:
  - 1 pc. B405 Suspension member
  - 1 pc. B213 I-Beam clamp
  - 1 pc. 1/2"-13 x 2 1/2" HHCS
  - 1 pc. 1/2"-13 Hex Nut
- Material: Malleable iron
- Standard finishes: ZN, GRN
- Wt./C 183 Lbs. (83.0 kg)



## B602A THRU B602C Beam Clamp with Gusset Assembly

- Safety Factor of 5
- 7/8" (22.2) Max. flange thickness
- Includes:
  - 1 pc. B451 Slotted three hole 'U' support with gusset
  - 2 pcs. B213 I-Beam clamp
  - 2 pcs. 1/2"-13 x 2 1/2" HHCS
  - 2 pcs. 1/2"-13 Hex nuts
- Material: Malleable iron
- Standard finishes: ZN, GRN



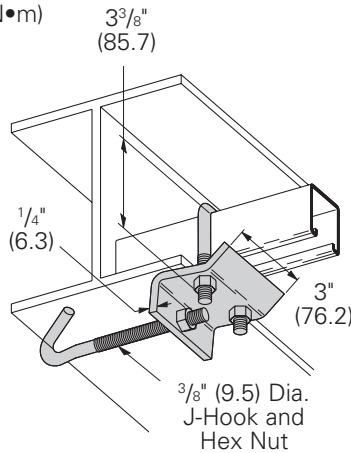
Part No.	A In. mm	For Flange Width B In. mm	Design Load Lbs. kN	Wt./C Lbs. kg
<b>B602A</b>	7 1/4" (184.1)	2 3/8"-4 1/2" (60.3-114.3)	1200 (5.34)	365 (165.1)
<b>B602B</b>	8 1/2" (215.9)	3 3/4"-5 3/4" (95.2-146.0)	1200 (5.34)	383 (173.7)
<b>B602C</b>	10 3/8" (263.5)	5 5/8"-7 5/8" (142.9-193.7)	1200 (5.34)	408 (185.0)

Reference page 154 for general fitting and standard finish specifications.

# Beam clamps

## B760-22 Series Beam Clamp

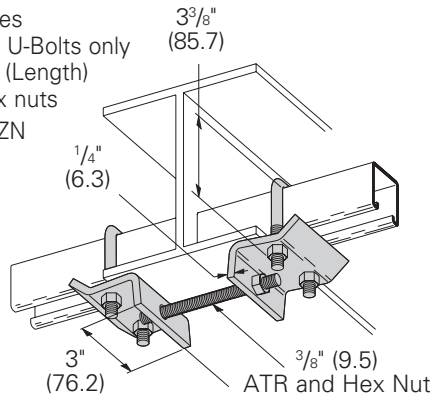
- 1" (25.4) Max. flange thickness
- For use with 1<sup>3</sup>/<sub>16</sub>" (20.6) to 1<sup>5</sup>/<sub>8</sub>" (41.3) high channel
- Recommended Torques:  
U-Bolt nuts 150 in-lbs. (16.9 N•m)  
J-Hook nut 60 in-lbs. (6.8 N•m)
- Includes:  
1 pc. B760 Plate  
1 pc. B701 Type  
J-Hook only  
1 pc. B500-3<sup>3</sup>/<sub>8</sub>"  
U-Bolt only  
3 pcs. <sup>3</sup>/<sub>8</sub>"-16 Hex nuts
- Standard finish: ZN



Part No.	For Flange Width		Wt./c	
	In.	mm	Lbs.	kg
<b>B760-22-J4</b>	4"-5 <sup>7</sup> / <sub>8</sub> "	(101.6-149.2)	122	(55.3)
<b>B760-22-J6</b>	6"-8 <sup>7</sup> / <sub>8</sub> "	(152.4-225.4)	129	(58.5)
<b>B760-22-J9</b>	9"-11 <sup>7</sup> / <sub>8</sub> "	(228.6-301.6)	135	(61.2)
<b>B760-22-J12</b>	12"-14 <sup>7</sup> / <sub>8</sub> "	(304.8-377.8)	141	(63.9)

## B761-22 Series Beam Clamp

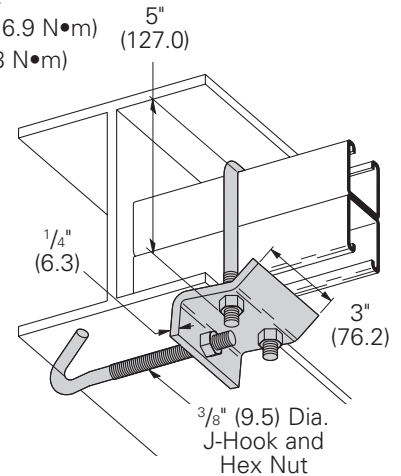
- 1" (25.4) Max. flange thickness
- For use with 1<sup>3</sup>/<sub>16</sub>" (20.6) to 1<sup>5</sup>/<sub>8</sub>" (41.3) high channel
- Recommended Torques:  
U-Bolt nuts 150 in-lbs. (16.9 N•m)  
ATR nuts 60 in-lbs. (6.8 N•m)
- Includes:  
2 pcs. B700 Plates  
2 pcs. B500-3<sup>3</sup>/<sub>8</sub>" U-Bolts only  
1 pc. <sup>3</sup>/<sub>8</sub>"-16 ATR (Length)  
6 pcs. <sup>3</sup>/<sub>8</sub>"-16 Hex nuts
- Standard finish: ZN



Part No.	For Flange Width		ATR Length		Wt./C	
	In.	mm	In.	mm	Lbs.	kg
<b>B761-22-4</b>	4"-5 <sup>7</sup> / <sub>8</sub> "	(101.6-149.2)	4"	(101.6)	202	(91.6)
<b>B761-22-6</b>	6"-8 <sup>7</sup> / <sub>8</sub> "	(152.4-225.4)	6"	(152.4)	206	(93.4)
<b>B761-22-9</b>	9"-11 <sup>7</sup> / <sub>8</sub> "	(228.6-301.6)	9"	(228.6)	214	(97.0)
<b>B761-22-12</b>	12"-14 <sup>7</sup> / <sub>8</sub> "	(304.8-377.8)	12"	(304.8)	221	(100.2)

## B760-22A Series Beam Clamp

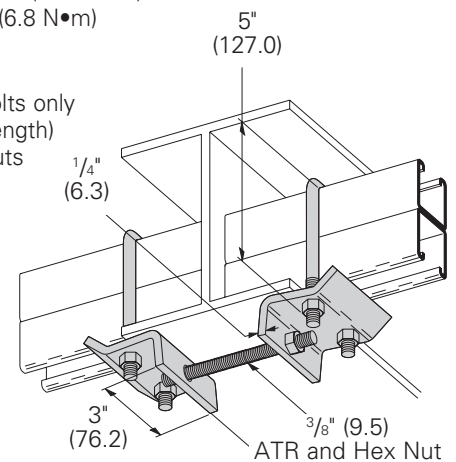
- 1" (25.4) Max. flange thickness
- For use with 1<sup>5</sup>/<sub>8</sub>" (41.3) to 3<sup>1</sup>/<sub>4</sub>" (82.5) high channel
- Recommended Torques:  
U-Bolt nuts 150 in-lbs. (16.9 N•m)  
J-Hook nut 60 in-lbs. (6.8 N•m)
- Includes:  
1 pc. B760 Plate  
1 pc. B701 Type  
J-Hook only  
1 pc. B500-5"  
U-Bolt only  
3 pcs. <sup>3</sup>/<sub>8</sub>"-16 Hex nuts
- Standard finish: ZN



Part No.	For Flange Width		Wt./c	
	In.	mm	Lbs.	kg
<b>B760-22A-J4</b>	4"-5 <sup>7</sup> / <sub>8</sub> "	(101.6-149.2)	129	(58.5)
<b>B760-22A-J6</b>	6"-8 <sup>7</sup> / <sub>8</sub> "	(152.4-225.4)	136	(61.7)
<b>B760-22A-J9</b>	9"-11 <sup>7</sup> / <sub>8</sub> "	(228.6-301.6)	142	(64.4)
<b>B760-22A-J12</b>	12"-14 <sup>7</sup> / <sub>8</sub> "	(304.8-377.8)	148	(67.1)

## B761-22A Series Beam Clamp

- 1" (25.4) Max. flange thickness
- For use with 1<sup>5</sup>/<sub>8</sub>" (41.3) to 3<sup>1</sup>/<sub>4</sub>" (82.5) high channel
- Recommended Torques:  
U-Bolt nuts 150 in-lbs. (16.9 N•m)  
ATR nuts 60 in-lbs. (6.8 N•m)
- Includes:  
2 pcs. B700 Plates  
2 pcs. B500-5" U-Bolts only  
1 pc. <sup>3</sup>/<sub>8</sub>"-16 ATR (Length)  
6 pcs. <sup>3</sup>/<sub>8</sub>"-16 Hex nuts
- Standard finish: ZN

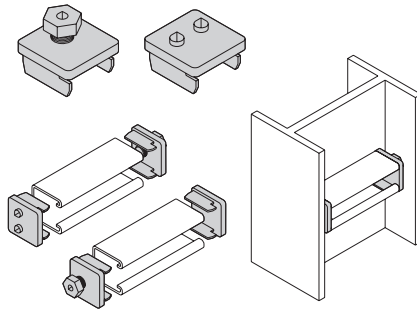


Part No.	For Flange Width		ATR Length		Wt./C	
	In.	mm	In.	mm	Lbs.	kg
<b>B761-22A-4</b>	4"-5 <sup>7</sup> / <sub>8</sub> "	(101.6-149.2)	4"	(101.6)	216	(98.0)
<b>B761-22A-6</b>	6"-8 <sup>7</sup> / <sub>8</sub> "	(152.4-225.4)	6"	(152.4)	220	(99.8)
<b>B761-22A-9</b>	9"-11 <sup>7</sup> / <sub>8</sub> "	(228.6-301.6)	9"	(228.6)	228	(103.4)
<b>B761-22A-12</b>	12"-14 <sup>7</sup> / <sub>8</sub> "	(304.8-377.8)	12"	(304.8)	235	(106.6)

Reference page 154 for general fitting and standard finish specifications.

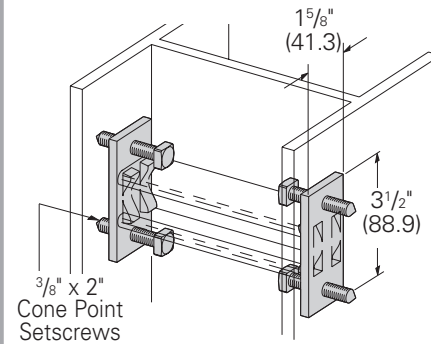
## B614 Column Support for B22

- Quick installation (one bolt to tighten)
- Design Load 800 Lbs. (3.56 kN) slip with Safety Factor of 3
- Use with B22 and B24 channel
- Sold in pairs
- Standard finish: ZN
- Wt./C 50 Lbs. (22.6 kg)



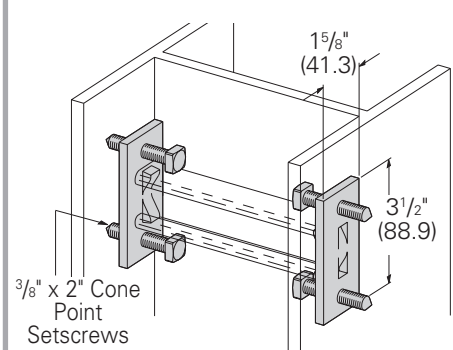
## B613 Column Support for B22

- Design Load 800 Lbs. (3.56 kN) slip with Safety Factor of 3
- Use with B22 and B24 channel
- Setscrews to be torqued to 19 ft./Lbs
- Sold in pairs
- Standard finishes: ZN, GRN, HDG
- Wt./C 100 Lbs. (45.3 kg)



## B613A Column Support for B52

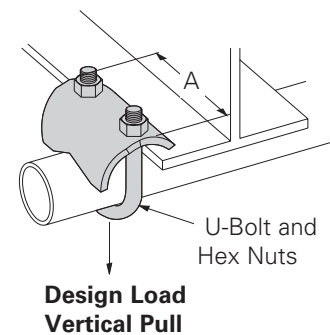
- Design Load 800 Lbs. (3.56 kN) slip with Safety Factor of 3
- Use with B52 and B54 channel
- Setscrews to be torqued to 19 ft./Lbs
- Sold in pairs
- Standard finishes: ZN, GRN, HDG
- Wt./C 100 Lbs. (45.3 kg)



## B422 Series Right Angle Clamp

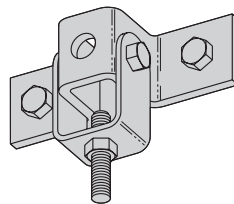
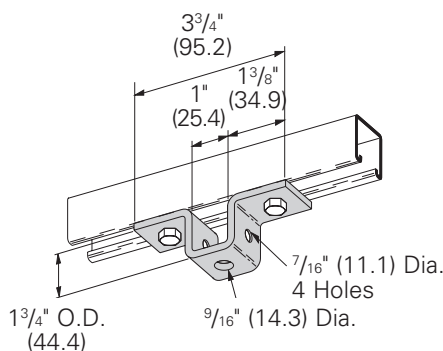
- Safety Factor of 5
- Material: 7 gauge (4.5)
- Standard finishes: ZN, SS4

Part No.	Conduit Size		A		Design Load Vertical Pull		Wt./C	
	In.	mm	In.	mm	Lbs.	kN	Lbs.	kg
B422-1/2	1/2"	(15)	2 3/8"	(60.3)	250	(1.11)	38	(17.2)
B422-3/4	3/4"	(20)	2 3/8"	(60.3)	300	(1.33)	39	(17.7)
B422-1	1"	(25)	2 7/8"	(73.0)	400	(1.78)	48	(21.8)
B422-1 1/4	1 1/4"	(32)	2 7/8"	(73.0)	400	(1.78)	50	(22.7)
B422-1 1/2	1 1/2"	(40)	3 1/4"	(82.5)	500	(2.22)	59	(26.7)
B422-2	2"	(50)	3 11/16"	(93.7)	600	(2.67)	75	(34.0)
B422-2 1/2	2 1/2"	(65)	4 1/4"	(107.9)	700	(3.11)	98	(44.4)
B422-3	3"	(80)	4 7/8"	(123.8)	800	(3.56)	111	(50.3)
B422-3 1/2	3 1/2"	(90)	5 7/16"	(138.1)	900	(4.00)	123	(55.8)
B422-4	4"	(100)	6"	(152.4)	1000	(4.45)	135	(61.2)



## B107S U-Support

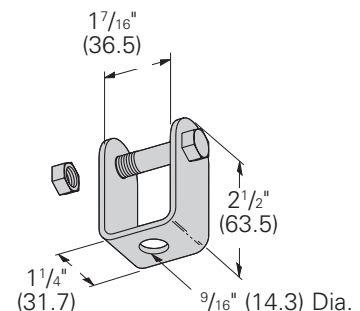
- Material: 7 gauge (4.5)
- Standard finishes: ZN, GRN
- Wt./C 51 Lbs. (23.1 kg)



- Illustration shows B107S and B593 used together
- Design Load 900 Lbs., strength of assembly only
- Verify anchorage

## B593 Clevis Swivel

- Includes:
  - 1 pc. 3/8"-16 x 2" HHCS
  - 1 pc. 3/8"-16 Hex Nut
- Material: 11 gauge (3.0)
- Standard finishes: ZN, GRN
- Wt./C 31 Lbs. (14.0 kg)



Reference page 154 for general fitting and standard finish specifications.

# Pipe/conduit clamps & hangers



Our beam attachments and pipe supports offered in this section are designed to provide supports without drilling or welding. A complete selection of beam clamps, pipe clamps, rollers, supports and accessories are designed for use with our channels and offer many installation advantages.

## Materials & Finishes\*

Pipe clamps, pipe hangers, beam clamps, brackets, and rollers are made from low carbon steel strips, plates or rod unless noted.

\*Unless otherwise noted.

## Load Data

The load data published includes a safety factor of 5.0 unless noted (safety factor = ratio of ultimate load to the design load).

## Recommended Bolt Torque (unless noted)

\*See chart on page 154 for recommended setscrew torquing.

Finish Code	Finish	Specification
PLN	Plain	ASTM A1011 33,000 PSI min. yield
ZN	Electro-Plated Zinc	ASTM B633 SC3 Type III or ASTM A653
GRN	DURA GREEN™	
DCU	DURA-COPPER™	
HDG	Hot-Dipped Galvanized	ASTM A123
YZN	Yellow Zinc Chromate	ASTM B633 SC3 Type II
SS4	Stainless Steel Type 304	ASTM A240
SS6	Stainless Steel Type 316	ASTM A240
AL	Aluminum	ASTM B209

Bolt Size	1/4"-20	5/16"-18	3/8"-16	1/2"-13
Foot/Lbs.	6	11	19	50
Nm	8	15	26	68

## Metric

Metric dimensions are shown in parentheses. Unless noted, all metric dimensions are in millimeters.

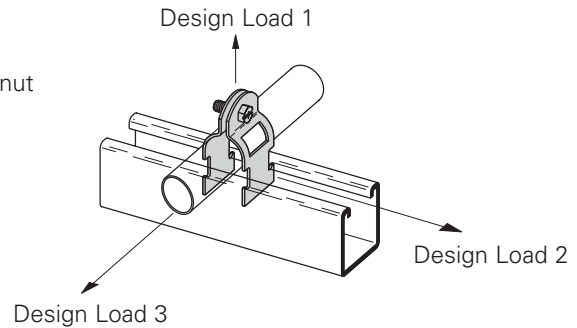


## B2207 thru B2213 Multi-Grip Pipe Clamps for Thinwall (EMT), I.M.C., Rigid Conduit or Pipe

- Safety Factor of 5
- Add PA to suffix for pre-assembled pipe clamps
- Includes combination recess hex head machine screw and square nut
- Material: ASTM A1011 33,000 PSI min. yield
- Standard finish: ZN



For UL installations, follow Table 9 in UL2239.



Part No.	Nominal Size In. mm	Material Thickness In. mm	O.D. Size Range		Alternate For Clamp No.'s	Design Load 1		Design Load 2		Design Load 3		Wt./C Lbs. kg
			In.	mm		Lbs.	kN	Lbs.	kN	Lbs.	kN	
B2207	3/8" (10)	16 Ga. (1.5)	.557-	.706 (14.2-17.9)	B2000, B2001, B2026	400	(1.78)	50	(.22)	50	(.22)	9 (4.1)
B2208	1/2" (15)	16 Ga. (1.5)	.701-	.875 (17.8-22.2)	B2001, B2008, B2027, B2028	400	(1.78)	50	(.22)	50	(.22)	11 (5.0)
B2209	3/4" (20)	14 Ga. (1.9)	.917-	1.081 (23.2-27.4)	B2002, B2009,	400	(1.78)	50	(.22)	50	(.22)	12 (5.4)
B2210	1" (25)	14 Ga. (1.9)	1.125-	1.375 (28.6-34.9)	B2003, B2010, B2030, B2031,	400	(1.78)	50	(.22)	50	(.22)	13 (5.9)
B2211	1 1/4" (32)	14 Ga. (1.9)	1.500-	1.691 (38.1-42.9)	B2004, B2011, B2033, B2034	400	(1.78)	50	(.22)	50	(.22)	15 (6.8)
B2212	1 1/2" (40)	12 Ga. (2.6)	1.735-	1.931 (44.0-49.0)	B2005, B2012, B2035	600	(2.67)	75	(.33)	75	(.33)	23 (10.4)
B2213	2" (50)	12 Ga. (2.6)	2.192-	2.400 (55.7-60.9)	B2006, B2013 B2039	600	(2.67)	75	(.33)	75	(.33)	26 (11.8)

Pipe/Conduit Clamps & Hangers

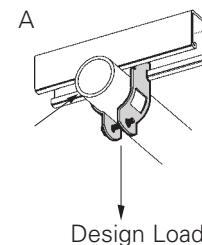
## BPC-8 thru BPC-64 Break-Apart Conduit Clamp

- Design Load 200 Lbs. (.896 kN)
- Includes combination recess hex head machine screw
- Material: ASTM A1011 33,000 PSI min. yield
- Recommended Torque 30 in. - lbs.
- Standard finish: ZN



For UL installations, follow Table 9 in UL2239.

Part No.	Rigid or EMT Conduit Size		Wt./C	
	In.	mm	Lbs.	kg
BPC-8	1/2"	(21.3)	11.2	(5.1)
BPC-12	3/4"	(26.7)	12.7	(5.8)
BPC-16	1"	(33.4)	14.5	(6.6)
BPC-20	1 1/4"	(42.2)	16.5	(7.5)
BPC-24	1 1/2"	(48.3)	18.5	(8.4)
BPC-32	2"	(60.3)	21.5	(9.8)
BPC-40	2 1/2"	(73.0)	21.5	(9.8)
BPC-48	3"	(88.9)	22.0	(10.0)
BPC-56	3 1/2"	(101.6)	23.0	(10.4)
BPC-64	4"	(114.3)	27.5	(12.5)



Recommended torque: 35 in-lbs

Reference page 168 for general fitting and standard finish specifications.



# Pipe clamps

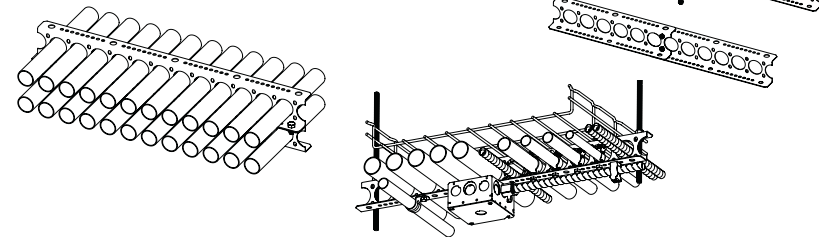
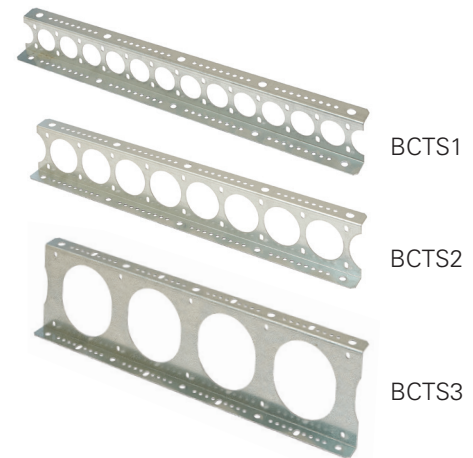
## BCTS Series Conduit Trapeze Support For Thinwall (EMT), Rigid Conduit or Pipe



- Used to support multiple runs of conduit/pipe on same elevation
- Available in three sizes:
  - BCTS1** series for up to 1 1/4" EMT or 1" Rigid conduit
  - BCTS2** series for up to 2" EMT or 2" Rigid conduit
  - BCTS3** series for up to 4" EMT or 4" Rigid conduit
- Multiple lengths available in 6" (152mm) intervals from 12" (305mm) to 120" (3048mm)
- Can be supported with 3/8" or 1/2" threaded rod or bolts by simply flipping the part from top to bottom (threaded rod and hardware is not included)
- Reduces need for conduit/pipe clamps at every support location
- Can be tiered to support multiple conduit/pipe levels
- Can also support Flextray™ and cable tray
- Flange hole patterns provide multiple options for hanger rods, mounting hardware, or accessories
- Repeating 6" (152mm) hole pattern for field cutting
- Hanger rod spacing should not exceed 36" (914mm)
- UL Listed based on 12" support rod spacing (safety factor of 3):
  - BCTS1 Series: 900 lb.
  - BCTS2 Series: 800 lb.
  - BCTS3 Series: 500 lb.
- Material: 14 ga. Pre-Galvanized Steel or Stainless Steel Type 316
- Bushings available for all three sizes

US Patent D892,599,

© Eaton, CA Ind. Design Reg. No. 184734

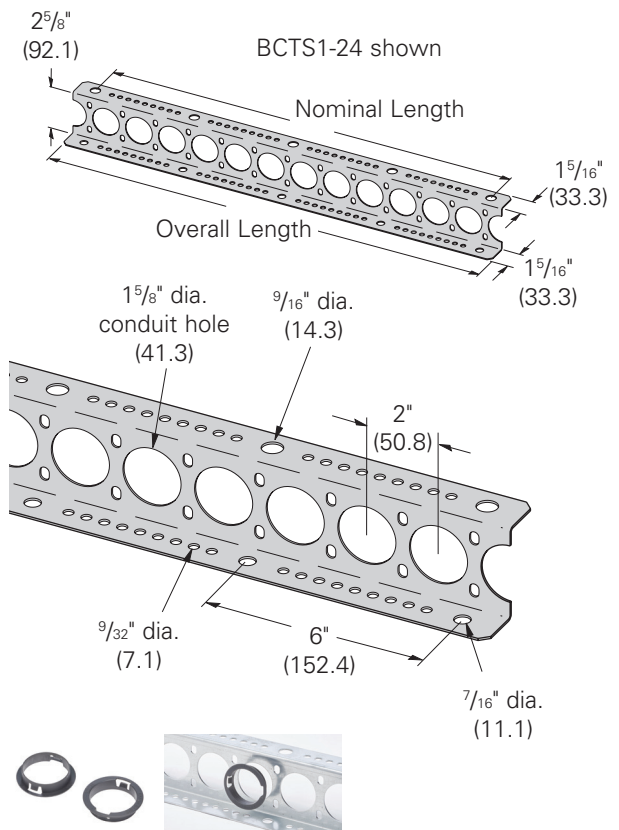


### BCTS1 Series - 1 1/4" EMT/1" Rigid Maximum

Hanger rod spacing loads: Safety Factor of 3 - Evenly distributed maximum loads  
 • 12" is 900 lbs. • 24" is 425 lbs. • 36" is 275 lbs.

Part No.	Nominal Length		Overall Length		Conduit Holes	Wt./Each	
	In.	mm	In.	mm		Lbs.	kg
<b>BCTS1-12*</b>	12	(305)	14	(355)	6	1.01	(0.46)
<b>BCTS1-18*</b>	18	(457)	20	(508)	9	1.45	(0.66)
<b>BCTS1-24*</b>	24	(609)	26	(660)	12	1.88	(0.86)
<b>BCTS1-30*</b>	30	(762)	32	(813)	15	2.32	(1.06)
<b>BCTS1-36*</b>	36	(914)	38	(965)	18	2.75	(1.25)
<b>BCTS1-42*</b>	42	(1067)	44	(1117)	21	3.19	(1.45)
<b>BCTS1-48*</b>	48	(1219)	50	(1270)	24	3.62	(1.65)
<b>BCTS1-54</b>	54	(1371)	56	(1422)	27	4.06	(1.84)
<b>BCTS1-60</b>	60	(1524)	62	(1575)	30	4.49	(2.04)
<b>BCTS1-66</b>	66	(1676)	68	(1727)	33	4.92	(2.24)
<b>BCTS1-72</b>	72	(1829)	74	(1879)	36	5.36	(2.44)
<b>BCTS1-78</b>	78	(1981)	80	(2032)	39	5.79	(2.63)
<b>BCTS1-84</b>	84	(2133)	86	(2184)	42	6.23	(2.83)
<b>BCTS1-90</b>	90	(2286)	92	(2337)	45	6.66	(3.03)
<b>BCTS1-96</b>	96	(2438)	98	(2489)	48	7.10	(3.22)
<b>BCTS1-102</b>	102	(2591)	104	(2641)	51	7.53	(3.42)
<b>BCTS1-108</b>	108	(2743)	110	(2794)	54	7.97	(3.62)
<b>BCTS1-114</b>	114	(2895)	116	(2946)	57	8.40	(3.82)
<b>BCTS1-120*</b>	120	(3048)	122	(3099)	60	8.84	(4.01)
<b>BCTB1*</b>	Bushing for 1 5/8" Holes					0.4	(0.18)

\* Quick-ship item (excludes SS6)



Reference page 168 for general fitting and standard finish specifications.

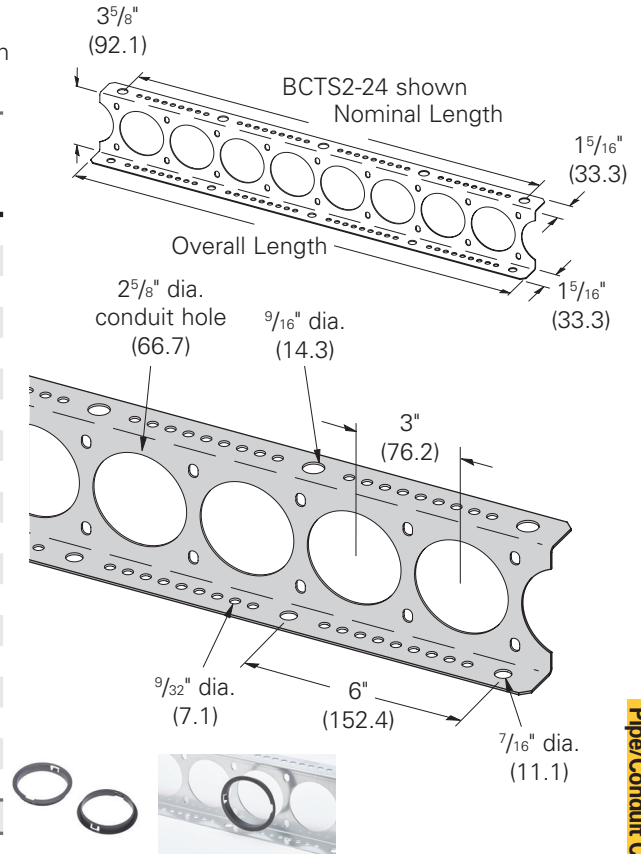
## BCTS Series Conduit Trapeze Support For Thinwall (EMT), Rigid Conduit or Pipe (Continued)

### BCTS2 Series - 2" EMT/2" Rigid Maximum

Hanger rod spacing loads: Safety Factor of 3 - Evenly distributed maximum loads • 12" is 800 lbs. • 24" is 500 lbs. • 36" is 350 lbs.

Part No.	Nominal Length		Overall Length		Conduit Holes	Wt./Each	
	In.	mm	In.	mm		Lbs.	kg
BCTS2-12*	12	(305)	14	(355)	4	1.10	(0.50)
BCTS2-18*	18	(457)	20	(508)	6	1.57	(0.72)
BCTS2-24*	24	(609)	26	(660)	8	2.03	(0.93)
BCTS2-30*	30	(762)	32	(813)	10	2.50	(1.14)
BCTS2-36*	36	(914)	38	(965)	12	2.96	(1.35)
BCTS2-42*	42	(1067)	44	(1117)	14	3.43	(1.56)
BCTS2-48*	48	(1219)	50	(1270)	16	3.89	(1.77)
BCTS2-54	54	(1371)	56	(1422)	18	4.36	(1.98)
BCTS2-60	60	(1524)	62	(1575)	20	4.83	(2.19)
BCTS2-66	66	(1676)	68	(1727)	22	5.29	(2.41)
BCTS2-72	72	(1829)	74	(1879)	24	5.76	(2.62)
BCTS2-78	78	(1981)	80	(2032)	26	6.22	(2.83)
BCTS2-84	84	(2133)	86	(2184)	28	6.69	(3.04)
BCTS2-90	90	(2286)	92	(2337)	30	7.15	(3.25)
BCTS2-96	96	(2438)	98	(2489)	32	7.62	(3.46)
BCTS2-102	102	(2591)	104	(2641)	34	8.09	(3.67)
BCTS2-108	108	(2743)	110	(2794)	36	8.55	(3.88)
BCTS2-114	114	(2895)	116	(2946)	38	9.02	(4.10)
BCTS2-120*	120	(3048)	122	(3099)	40	9.48	(4.31)
BCTB2*	Bushing for 2 <sup>5</sup> / <sub>8</sub> " Holes					0.70	(0.32)

\* Quick-ship item (excludes SS6)

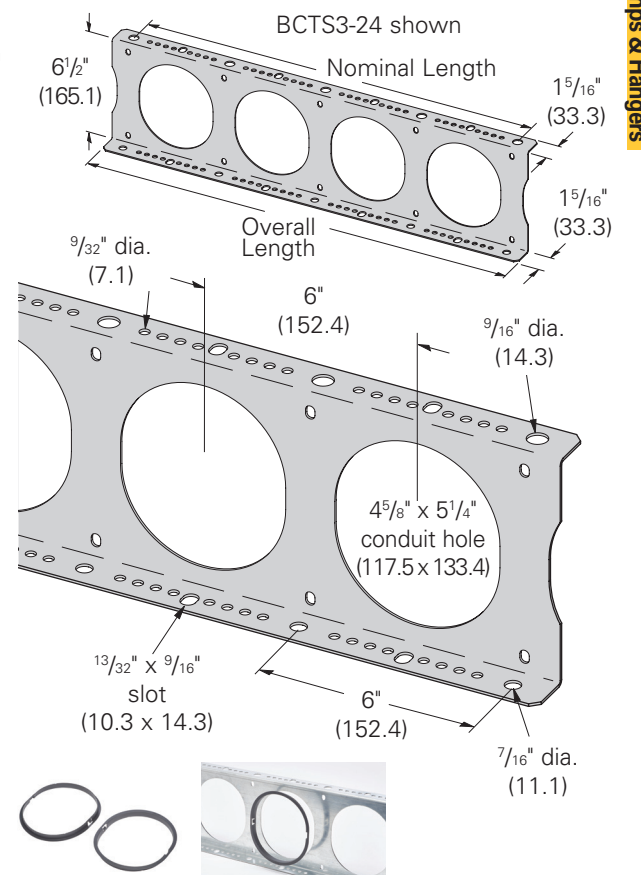


### BCTS3 Series - 4" EMT/4" Rigid Maximum

Hanger rod spacing loads: Safety Factor of 3 - Evenly distributed maximum loads • 12" is 500 lbs. • 24" is 800 lbs. • 36" is 750 lbs.

Part No.	Nominal Length		Overall Length		Conduit Holes	Wt./Each	
	In.	mm	In.	mm		Lbs.	kg
BCTS3-12*	12	(305)	14	(355)	2	1.57	(0.72)
BCTS3-18*	18	(457)	20	(508)	3	2.20	(1.00)
BCTS3-24*	24	(609)	26	(660)	4	2.84	(1.29)
BCTS3-30*	30	(762)	32	(813)	5	3.47	(1.58)
BCTS3-36*	36	(914)	38	(965)	6	4.10	(1.86)
BCTS3-42*	42	(1067)	44	(1117)	7	4.73	(2.15)
BCTS3-48*	48	(1219)	50	(1270)	8	5.36	(2.44)
BCTS3-54	54	(1371)	56	(1422)	9	5.99	(2.72)
BCTS3-60	60	(1524)	62	(1575)	10	6.62	(3.01)
BCTS3-66	66	(1676)	68	(1727)	11	7.25	(3.29)
BCTS3-72	72	(1829)	74	(1879)	12	7.88	(3.58)
BCTS3-78	78	(1981)	80	(2032)	13	8.51	(3.87)
BCTS3-84	84	(2133)	86	(2184)	14	9.14	(4.15)
BCTS3-90	90	(2286)	92	(2337)	15	9.77	(4.44)
BCTS3-96	96	(2438)	98	(2489)	16	10.40	(4.72)
BCTS3-102	102	(2591)	104	(2641)	17	11.04	(5.01)
BCTS3-108	108	(2743)	110	(2794)	18	11.67	(5.30)
BCTS3-114	114	(2895)	116	(2946)	19	12.30	(5.58)
BCTS3-120*	120	(3048)	122	(3099)	20	12.93	(5.87)
BCTB3*	Bushing for 4 <sup>5</sup> / <sub>8</sub> " x 5 <sup>1</sup> / <sub>4</sub> " Holes					1.3	(0.58)

\* Quick-ship item (excludes SS6)



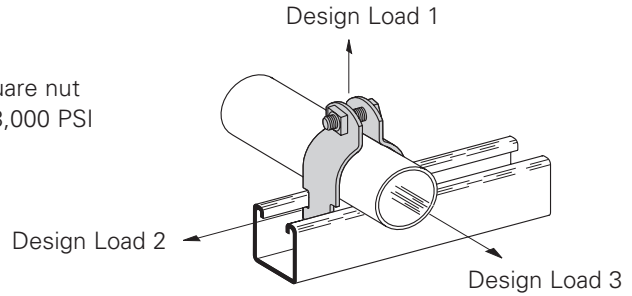
Reference page 168 for general fitting and standard finish specifications.

# Pipe clamps

## B2000 Series Pipe and Conduit Clamps

- Safety Factor of 5
- Add PA to suffix for pre-assembled pipe clamps
- Includes combination recess hex head machine screw and square nut
- Material: 16 Ga. (1.5), 14 Ga. (1.9), 12 Ga. (2.6) ASTM A653 33,000 PSI min. yield and 11 Ga. (3.0) ASTM A1011HSLA Gr. 50
- Standard finishes: ZN, HDG, SS4, SS6, AL

Note: For EMT sizes 2 1/2" and larger use rigid conduit sizes.



## Thinwall Conduit (EMT) Clamps

Part No.	Conduit Size In. mm	Material Thickness In. mm	Design Load 1		Design Load 2		Design Load 3		Wt./C	
			Lbs.	kN	Lbs.	kN	Lbs.	kN	Lbs.	kg
B2000	3/8" (10)	16 Ga. (1.5)	400 u	(1.78)	50	(.22)	50	(.22)	10	(4.5)
B2001	1/2" (15)	16 Ga. (1.5)	400 u	(1.78)	50	(.22)	50	(.22)	10	(4.5)
B2002	3/4" (20)	16 Ga. (1.9)	400 u	(1.78)	50	(.22)	50	(.22)	11	(5.0)
B2003	1" (25)	14 Ga. (1.9)	600 u	(2.67)	75	(.33)	75	(.33)	16	(7.2)
B2004	1 1/4" (32)	14 Ga. (1.9)	600 u	(2.67)	75	(.33)	75	(.33)	19	(8.6)
B2005	1 1/2" (40)	12 Ga. (2.6)	800 u	(3.56)	125	(.56)	125	(.56)	28	(12.7)
B2006	2" (50)	12 Ga. (2.6)	800 u	(3.56)	125	(.56)	125	(.56)	33	(14.9)

## Rigid or Conduit or Pipe Clamps

Part No.	Conduit Size In. mm	Material Thickness In. mm	Design Load 1		Design Load 2		Design Load 3		Wt./C	
			Lbs.	kN	Lbs.	kN	Lbs.	kN	Lbs.	kg
B2001	3/8" (10)	16 Ga. (1.5)	400 u	(1.78)	50	(.22)	50	(.22)	10	(4.5)
B2008	1/2" (15)	16 Ga. (1.5)	400 u	(1.78)	50	(.22)	50	(.22)	11	(5.0)
B2009	3/4" (20)	14 Ga. (1.9)	600 u	(2.67)	75	(.33)	75	(.33)	15	(6.8)
B2010	1" (25)	14 Ga. (1.9)	600 u	(2.67)	75	(.33)	75	(.33)	16	(7.2)
B2011	1 1/4" (32)	14 Ga. (1.9)	600 u	(2.67)	75	(.33)	75	(.33)	20	(9.1)
B2012	1 1/2" (40)	12 Ga. (2.6)	800 u	(3.56)	125	(.56)	125	(.56)	30	(13.6)
B2013	2" (50)	12 Ga. (2.6)	800 u	(3.56)	125	(.56)	125	(.56)	34	(15.4)
B2014	2 1/2" (65)	12 Ga. (2.6)	800 u	(3.56)	125	(.56)	125	(.56)	38	(17.2)
B2015	3" (80)	12 Ga. (2.6)	800 u	(3.56)	125	(.56)	125	(.56)	44	(19.9)
B2016	3 1/2" (90)	12 Ga. (2.6)	800 u	(3.56)	125	(.56)	125	(.56)	49	(22.2)
B2017	4" (100)	12 Ga. (2.6)	800 u	(3.56)	125	(.56)	125	(.56)	54	(24.5)
B2018	4 1/2" (115)	11 Ga. (3.0)	1000 u	(4.45)	200	(.89)	150	(.67)	70	(31.7)
B2019	5" (125)	11 Ga. (3.0)	1000 u	(4.45)	200	(.89)	150	(.67)	77	(34.9)
B2020	6" (150)	11 Ga. (3.0)	1000 u	(4.45)	200	(.89)	150	(.67)	100	(45.3)
B2021	7" (175)	11 Ga. (3.0)	1000	(4.45)	250	(1.11)	200	(.89)	115	(52.1)
B2022	8" (200)	11 Ga. (3.0)	1000	(4.45)	250	(1.11)	200	(.89)	128	(58.0)
B2130	10" (254)	11 Ga. (3.0)	1000	(4.45)	250	(1.11)	200	(.89)	160	(72.6)
B2132	12" (305)	11 Ga. (3.0)	1000	(4.45)	250	(1.11)	200	(.89)	185	(83.9)



As shown with u For UL installations, follow Table 9 in UL2239.

Reference page 168 for general fitting and standard finish specifications.

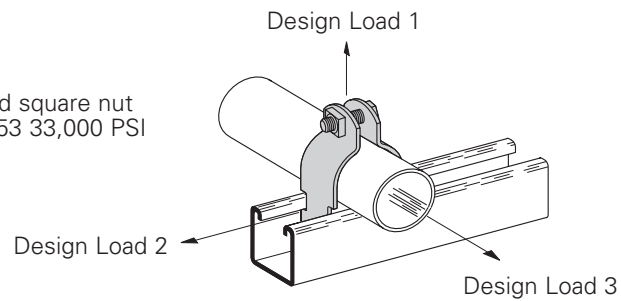
## B2000 Series PVC Clamps

- Safety Factor of 5
- Add PA to suffix for pre-assembled pipe clamps
- Includes combination recess hex head machine screw and square nut
- Material: 16 Ga. (1.5), 14 Ga. (1.9), 12 Ga. (2.6) ASTM A653 33,000 PSI min. yield and 11 Ga. (3.0) ASTM A1011HSLA Gr. 50
- Standard finishes: PVC

### Clamp Sizing Chart for PVC Coated Rigid Conduit and Clamps

Nominal Conduit Size In. mm	Conduit Coating			
	.020 (.51mm)		.040 (1.01mm)	
	Clamp Coating		Clamp Coating	
	0	.020" (.51mm)	0	.020" (.51mm)
1/2" (15)	B2008	B2002	B2002	B2009
3/4" (20)	B2030	B2030	B2030	B2003
1" (25)	B2032	B2010	B2010	B2004
1 1/4" (32)	B2005	B2005	B2005	B2005
1 1/2" (40)	B2012	B2037	B2037	B2037
2" (50)	B2013	B2041	B2041	B2041
2 1/2" (65)	B2014	B2045	B2045	B2045
3" (80)	B2015	B2050	B2050	B2050
3 1/2" (90)	B2016	B2054	B2054	B2054
4" (100)	B2017	B2058	B2058	B2058
5" (125)	B2019	B2066	B2066	B2066
6" (150)	B2020	B2115	B2115	B2115

\*See B2000 O.D. pipe and conduit clamp chart on pgs. 131-132 for corresponding clamp load data.



### Clamp Sizing Chart for PVC Coated Thinwall (EMT) Conduit and Clamps

Nominal Conduit Size In. mm	Conduit Coating			
	.020 (.51mm)		.040 (1.01mm)	
	Clamp Coating		Clamp Coating	
	0	.020" (.51mm)	0	.020" (.51mm)
3/8" (10)	B2026	B2026	B2026	B2001
1/2" (15)	B2027	B2027	B2027	B2008
3/4" (20)	B2009	B2009	B2009	B2009
1" (25)	B2003	B2031	B2031	B2031
1 1/4" (32)	B2004	B2011	B2011	B2011
1 1/2" (40)	B2005	B2005	B2005	B2012
2" (50)	B2039	B2039	B2039	B2013

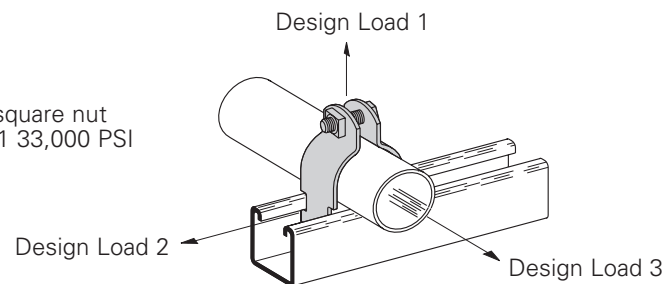
\*See B2000 O.D. pipe and conduit clamp chart on pgs. 131-132 for corresponding clamp load data.

## B2000 Series Copper Tubing Clamps

- Safety Factor of 5
- Add PA to suffix for pre-assembled pipe clamps
- Includes combination recess hex head machine screw and square nut
- Material: 16 Ga. (1.5), 14 Ga. (1.9), 12 Ga. (2.6) ASTM A1011 33,000 PSI min. yield and 11 Ga. (3.0) ASTM A1011HSLA Gr. 50
- Standard finish: Exclusive DURA-COPPER™ Finish (DCU)

### Copper Tubing Clamps

Part No.	Tubing Size In. (mm)	O.D. Size In. (mm)	Material Thickness In. (mm)	Design Load 1		Design Load 2		Design Load 3		Wt./C Lbs. kg
				Lbs.	kN	Lbs.	kN	Lbs.	kN	
B2024DCU	1/4" (6.3)	.375 (9.5)	16 Ga. (1.5)	400 (1.78)	50 (.22)	50 (.22)	50 (.22)	8 (3.6)		
B2025DCU	3/8" (9.5)	.500 (12.7)	16 Ga. (1.5)	400 (1.78)	50 (.22)	50 (.22)	50 (.22)	9 (4.1)		
B2026DCU	1/2" (12.7)	.625 (15.9)	16 Ga. (1.5)	400 (1.78)	50 (.22)	50 (.22)	50 (.22)	10 (4.5)		
B2027DCU	5/8" (15.9)	.750 (19.0)	16 Ga. (1.5)	400 (1.78)	50 (.22)	50 (.22)	50 (.22)	10 (4.5)		
B2008DCU	3/4" (19.0)	.875 (22.2)	16 Ga. (1.5)	400 (1.78)	50 (.22)	50 (.22)	50 (.22)	11 (5.0)		
B2030DCU	1" (25.4)	1.125 (28.6)	14 Ga. (1.9)	600 (2.67)	75 (.33)	75 (.33)	75 (.33)	15 (6.8)		
B2010DCU	1 1/4" (31.7)	1.375 (34.9)	14 Ga. (1.9)	600 (2.67)	75 (.33)	75 (.33)	75 (.33)	17 (7.7)		
B2011DCU	1 1/2" (38.1)	1.625 (41.3)	14 Ga. (1.9)	600 (2.67)	75 (.33)	75 (.33)	75 (.33)	19 (8.6)		
B2038DCU	2" (50.8)	2.125 (54.0)	12 Ga. (2.6)	800 (3.56)	125 (.56)	125 (.56)	125 (.56)	32 (14.5)		
B2042DCU	2 1/2" (63.5)	2.625 (66.7)	12 Ga. (2.6)	800 (3.56)	125 (.56)	125 (.56)	125 (.56)	35 (15.9)		
B2046DCU	3" (76.2)	3.125 (79.4)	12 Ga. (2.6)	800 (3.56)	125 (.56)	125 (.56)	125 (.56)	39 (17.7)		
B2050DCU	3 1/2" (88.9)	3.625 (92.1)	11 Ga. (3.0)	1000 (4.45)	200 (.89)	150 (.67)	150 (.67)	54 (24.5)		
B2054DCU	4" (101.6)	4.125 (104.8)	11 Ga. (3.0)	1000 (4.45)	200 (.89)	150 (.67)	150 (.67)	61 (27.6)		
B2062DCU	5" (127.0)	5.125 (130.2)	11 Ga. (3.0)	1000 (4.45)	200 (.89)	150 (.67)	150 (.67)	70 (31.7)		
B2110DCU	6" (152.5)	6.125 (155.6)	11 Ga. (3.0)	1000 (4.45)	250 (1.11)	200 (.89)	200 (.89)	94 (42.6)		
B2126DCU	8" (203.2)	8.125 (206.4)	11 Ga. (3.0)	1000 (4.45)	250 (1.11)	200 (.89)	200 (.89)	123 (55.8)		



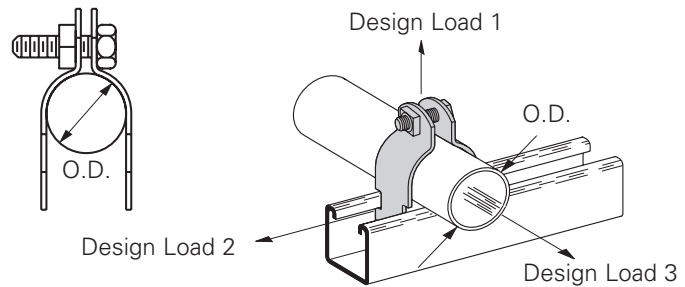
Reference page 168 for general fitting and standard finish specifications.



# Pipe clamps

## B2000 Series O.D. Pipe and Conduit Clamps

- Safety Factor of 5
- Add PA to suffix for pre-assembled pipe clamps
- Other sizes available upon request
- Includes combination recess hex head machine screw and square nut.
- Material: 16 Ga. (1.5), 14 Ga. (1.9), 12 Ga. (2.6)  
ASTM A653 33,000 PSI min. yield and 11 Ga. (3.0)  
ASTM A1011HSLA Gr. 50
- Standard finishes: ZN, HDG, SS4



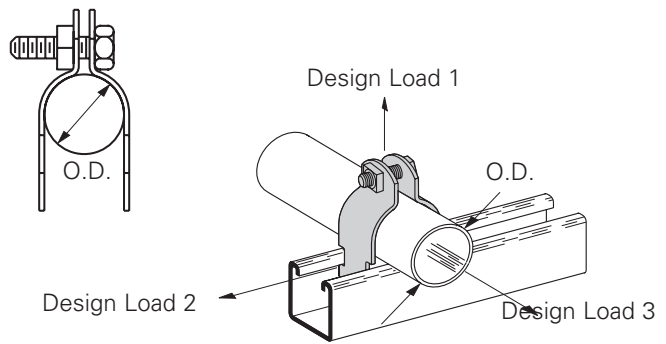
### O.D. Clamps

Part No.	O.D. Size (in.)		Hardware Size	Material Gauge Thickness		Design Load 1		Design Load 2		Design Load 3		Wt./C	
	In.	mm		In.	mm	Lbs.	kN	Lbs.	kN	Lbs.	kN	Lbs.	kg
B2023	1/4"	(6.3)	1/4"-20	16	(1.5)	120	(.54)	30	(.13)	30	(.13)	8	(3.6)
B2024	3/8"	(9.5)	1/4"-20	16	(1.5)	300	(1.33)	40	(.18)	40	(.18)	8	(3.6)
B2025	1/2"	(12.7)	1/4"-20	16	(1.5)	400	(1.78)	50	(.22)	50	(.22)	9	(4.1)
B2026	5/8"	(15.9)	1/4"-20	16	(1.5)	400	(1.78)	50	(.22)	50	(.22)	10	(4.5)
B2027	3/4"	(19.0)	1/4"-20	16	(1.5)	400	(1.78)	50	(.22)	50	(.22)	10	(4.5)
B2008	7/8"	(22.2)	1/4"-20	16	(1.5)	400	(1.78)	50	(.22)	50	(.22)	11	(5.0)
B2009	1"	(25.4)	1/4"-20	14	(1.9)	500	(2.22)	75	(.33)	75	(.33)	15	(6.8)
B2030	1 1/8"	(28.6)	1/4"-20	14	(1.9)	600	(2.67)	75	(.33)	75	(.33)	15	(6.8)
B2031	1 1/4"	(31.7)	1/4"-20	14	(1.9)	600	(2.67)	75	(.33)	75	(.33)	16	(7.3)
B2010	1 3/8"	(34.9)	1/4"-20	14	(1.9)	600	(2.67)	75	(.33)	75	(.33)	17	(7.7)
B2004	1 1/2"	(38.1)	1/4"-20	14	(1.9)	600	(2.67)	75	(.33)	75	(.33)	18	(8.2)
B2011	1 5/8"	(41.3)	1/4"-20	14	(1.9)	600	(2.67)	75	(.33)	75	(.33)	19	(8.6)
B2005	1 3/4"	(44.4)	5/16"-18	12	(2.6)	800	(3.56)	125	(.56)	125	(.56)	29	(13.1)
B2012	1 7/8"	(47.6)	5/16"-18	12	(2.6)	800	(3.56)	125	(.56)	125	(.56)	30	(13.6)
B2037	2	(50.8)	5/16"-18	12	(2.6)	800	(3.56)	125	(.56)	125	(.56)	30	(13.6)
B2038	2 1/8"	(54.0)	5/16"-18	12	(2.6)	800	(3.56)	125	(.56)	125	(.56)	32	(14.5)
B2039	2 1/4"	(57.1)	5/16"-18	12	(2.6)	800	(3.56)	125	(.56)	125	(.56)	32	(14.5)
B2013	2 3/8"	(60.3)	5/16"-18	12	(2.6)	800	(3.56)	125	(.56)	125	(.56)	34	(15.4)
B2041	2 1/2"	(63.5)	5/16"-18	12	(2.6)	800	(3.56)	125	(.56)	125	(.56)	35	(15.9)
B2042	2 5/8"	(66.7)	5/16"-18	12	(2.6)	800	(3.56)	125	(.56)	125	(.56)	35	(15.9)
B2043	2 3/4"	(69.8)	5/16"-18	12	(2.6)	800	(3.56)	125	(.56)	125	(.56)	38	(17.2)
B2014	2 7/8"	(73.0)	5/16"-18	12	(2.6)	800	(3.56)	125	(.56)	125	(.56)	38	(17.2)
B2045	3	(76.2)	5/16"-18	12	(2.6)	800	(3.56)	125	(.56)	125	(.56)	38	(17.2)
B2046	3 1/8"	(79.4)	5/16"-18	12	(2.6)	800	(3.56)	125	(.56)	125	(.56)	39	(17.7)
B2047	3 1/4"	(82.5)	5/16"-18	12	(2.6)	800	(3.56)	125	(.56)	125	(.56)	41	(18.6)
B2048	3 3/8"	(85.7)	5/16"-18	12	(2.6)	800	(3.56)	125	(.56)	125	(.56)	43	(19.5)
B2015	3 1/2"	(88.9)	5/16"-18	12	(2.6)	800	(3.56)	125	(.56)	125	(.56)	44	(20.0)
B2050	3 5/8"	(92.1)	5/16"-18	11	(3.0)	1000	(4.45)	200	(.89)	150	(.67)	54	(24.5)
B2051	3 3/4"	(95.2)	5/16"-18	11	(3.0)	1000	(4.45)	200	(.89)	150	(.67)	57	(25.8)
B2052	3 7/8"	(41.3)	5/16"-18	11	(3.0)	1000	(4.45)	200	(.89)	150	(.67)	55	(25.0)
B2016	4	(101.6)	5/16"-18	11	(3.0)	1000	(4.45)	200	(.89)	150	(.67)	57	(25.8)
B2054	4 1/8"	(104.8)	5/16"-18	11	(3.0)	1000	(4.45)	200	(.89)	150	(.67)	61	(27.7)
B2055	4 1/4"	(107.9)	5/16"-18	11	(3.0)	1000	(4.45)	200	(.89)	150	(.67)	62	(28.1)
B2056	4 3/8"	(111.1)	5/16"-18	11	(3.0)	1000	(4.45)	200	(.89)	150	(.67)	64	(29.0)
B2017	4 1/2"	(114.3)	5/16"-18	11	(3.0)	1000	(4.45)	200	(.89)	150	(.67)	66	(29.9)
B2058	4 5/8"	(117.5)	5/16"-18	11	(3.0)	1000	(4.45)	200	(.89)	150	(.67)	66	(29.9)

Reference page 168 for general fitting and standard finish specifications.

## B2000 Series O.D. Pipe and Conduit Clamps

- Safety Factor of 5
- Add PA to suffix for pre-assembled pipe clamps
- Other sizes available upon request
- Includes combination recess hex head machine screw and square nut.
- Material: 16 Ga. (1.5), 14 Ga. (1.9), 12 Ga. (2.6) ASTM A653 33,000 PSI min. yield and 11 Ga. (3.0) ASTM A1011HSLA Gr. 50
- Standard finishes: ZN, HDG, SS4



### O.D. Clamps

Part No.	O.D. Size (in.)		Hardware Size	Material Gauge Thickness		Design Load 1		Design Load 2		Design Load 3		Wt./C	
	In.	mm		In.	mm	Lbs.	kN	Lbs.	kN	Lbs.	kN	Lbs.	kg
B2059	4 <sup>3</sup> / <sub>4</sub> "	(120.6)	5/16"-18	11	(3.0)	1000	(4.45)	200	(.89)	150	(.67)	68	(30.8)
B2060	4 <sup>7</sup> / <sub>8</sub> "	(123.8)	5/16"-18	11	(3.0)	1000	(4.45)	200	(.89)	150	(.67)	69	(31.3)
B2018	5	(127.0)	5/16"-18	11	(3.0)	1000	(4.45)	200	(.89)	150	(.67)	70	(31.8)
B2062	5 <sup>1</sup> / <sub>8</sub> "	(130.2)	5/16"-18	11	(3.0)	1000	(4.45)	200	(.89)	150	(.67)	70	(31.8)
B2063	5 <sup>1</sup> / <sub>4</sub> "	(133.3)	5/16"-18	11	(3.0)	1000	(4.45)	200	(.89)	150	(.67)	70	(31.8)
B2064	5 <sup>3</sup> / <sub>8</sub> "	(136.5)	5/16"-18	11	(3.0)	1000	(4.45)	200	(.89)	150	(.67)	77	(34.9)
B2019	5 <sup>1</sup> / <sub>2</sub> "	(139.7)	5/16"-18	11	(3.0)	1000	(4.45)	200	(.89)	150	(.67)	78	(35.4)
B2066	5 <sup>5</sup> / <sub>8</sub> "	(142.9)	3/8"-16	11	(3.0)	1000	(4.45)	200	(.89)	150	(.67)	83	(37.6)
B2067	5 <sup>3</sup> / <sub>4</sub> "	(146.0)	3/8"-16	11	(3.0)	1000	(4.45)	200	(.89)	150	(.67)	84	(38.1)
B2068	5 <sup>7</sup> / <sub>8</sub> "	(149.2)	3/8"-16	11	(3.0)	1000	(4.45)	200	(.89)	150	(.67)	85	(38.6)
B2069	6"	(152.4)	3/8"-16	11	(3.0)	1000	(4.45)	200	(.89)	150	(.67)	87	(39.5)
B2110	6 <sup>1</sup> / <sub>8</sub> "	(155.6)	3/8"-16	11	(3.0)	1000	(4.45)	250	(1.11)	200	(.89)	94	(42.6)
B2111	6 <sup>1</sup> / <sub>4</sub> "	(158.7)	3/8"-16	11	(3.0)	1000	(4.45)	250	(1.11)	200	(.89)	96	(43.5)
B2112	6 <sup>3</sup> / <sub>8</sub> "	(161.9)	3/8"-16	11	(3.0)	1000	(4.45)	250	(1.11)	200	(.89)	98	(44.4)
B2113	6 <sup>1</sup> / <sub>2</sub> "	(165.1)	3/8"-16	11	(3.0)	1000	(4.45)	250	(1.11)	200	(.89)	99	(44.9)
B2020	6 <sup>5</sup> / <sub>8</sub> "	(168.3)	3/8"-16	11	(3.0)	1000	(4.45)	250	(1.11)	200	(.89)	100	(45.4)
B2115	6 <sup>3</sup> / <sub>4</sub> "	(171.4)	3/8"-16	11	(3.0)	1000	(4.45)	250	(1.11)	200	(.89)	102	(46.3)
B2116	6 <sup>7</sup> / <sub>8</sub> "	(174.6)	3/8"-16	11	(3.0)	1000	(4.45)	250	(1.11)	200	(.89)	104	(47.2)
B2117	7"	(177.8)	3/8"-16	11	(3.0)	1000	(4.45)	250	(1.11)	200	(.89)	106	(48.1)
B2118	7 <sup>1</sup> / <sub>8</sub> "	(181.0)	3/8"-16	11	(3.0)	1000	(4.45)	250	(1.11)	200	(.89)	108	(49.0)
B2119	7 <sup>1</sup> / <sub>4</sub> "	(184.1)	3/8"-16	11	(3.0)	1000	(4.45)	250	(1.11)	200	(.89)	110	(49.9)
B2120	7 <sup>3</sup> / <sub>8</sub> "	(187.3)	3/8"-16	11	(3.0)	1000	(4.45)	250	(1.11)	200	(.89)	112	(50.8)
B2121	7 <sup>1</sup> / <sub>2</sub> "	(190.5)	3/8"-16	11	(3.0)	1000	(4.45)	250	(1.11)	200	(.89)	114	(51.7)
B2021	7 <sup>5</sup> / <sub>8</sub> "	(193.7)	3/8"-16	11	(3.0)	1000	(4.45)	250	(1.11)	200	(.89)	115	(52.2)
B2123	7 <sup>3</sup> / <sub>4</sub> "	(196.8)	3/8"-16	11	(3.0)	1000	(4.45)	250	(1.11)	200	(.89)	117	(53.1)
B2124	7 <sup>7</sup> / <sub>8</sub> "	(200.0)	3/8"-16	11	(3.0)	1000	(4.45)	250	(1.11)	200	(.89)	119	(54.0)
B2125	8"	(203.2)	3/8"-16	11	(3.0)	1000	(4.45)	250	(1.11)	200	(.89)	121	(54.9)
B2126	8 <sup>1</sup> / <sub>8</sub> "	(206.4)	3/8"-16	11	(3.0)	1000	(4.45)	250	(1.11)	200	(.89)	123	(55.8)
B2127	8 <sup>1</sup> / <sub>4</sub> "	(209.5)	3/8"-16	11	(3.0)	1000	(4.45)	250	(1.11)	200	(.89)	125	(56.7)
B2128	8 <sup>3</sup> / <sub>8</sub> "	(212.7)	3/8"-16	11	(3.0)	1000	(4.45)	250	(1.11)	200	(.89)	126	(57.2)
B2129	8 <sup>1</sup> / <sub>2</sub> "	(215.9)	3/8"-16	11	(3.0)	1000	(4.45)	250	(1.11)	200	(.89)	128	(58.1)
B2022	8 <sup>5</sup> / <sub>8</sub> "	(219.1)	3/8"-16	11	(3.0)	1000	(4.45)	250	(1.11)	200	(.89)	128	(58.1)
B2130	10 <sup>3</sup> / <sub>4</sub> "	(273.0)	3/8"-16	11	(3.0)	1000	(4.45)	250	(1.11)	200	(.89)	160	(72.6)
B2132	12 <sup>3</sup> / <sub>4</sub> "	(323.8)	3/8"-16	11	(3.0)	1000	(4.45)	250	(1.11)	200	(.89)	185	(83.9)

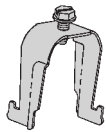
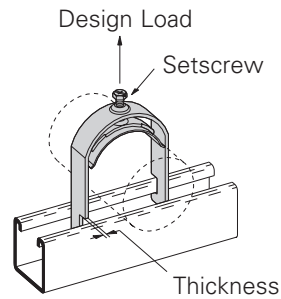
Reference page 168 for general fitting and standard finish specifications.



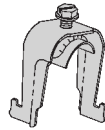
# Pipe clamps

## B1508 thru B1564S Conduit/Strut Clamps

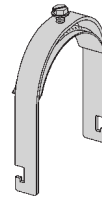
- Safety Factor of 3
- Clamps without saddles are not recommended for flexible conduit or cable
- All Sizes Include:  
1/4"-20 slotted hex head machine screw
- Standard finish: ZN



B1508 thru B1520



B1508S thru B1524S



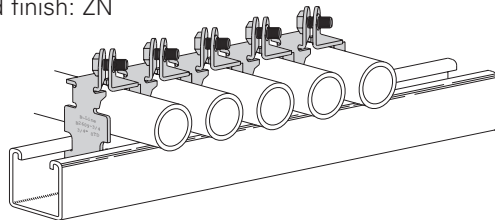
B1532S thru B1564S

Part No.	Use With		Thickness In. mm	Design Load Lbs. kN	Wt./C Lbs. kg
	EMT In. mm	Rigid Conduit In. mm			
<b>B1508</b>	1/2" (15)	– –	16 Ga. (1.5)	200 (.89)	7.4 (3.4)
<b>B1512</b>	3/4" (20)	1/2" (15)	16 Ga. (1.5)	200 (.89)	8.0 (3.6)
<b>B1516</b>	1" (25)	3/4" (20)	14 Ga. (1.9)	300 (1.33)	11.0 (5.0)
<b>B1520</b>	1 1/4" (32)	1" (25)	14 Ga. (1.9)	300 (1.33)	12.5 (5.7)
<b>B1508S</b>	1/2" (15)	– –	16 Ga. (1.5)	200 (.89)	8.6 (3.9)
<b>B1512S</b>	3/4" (20)	1/2" (15)	16 Ga. (1.5)	200 (.89)	9.2 (4.2)
<b>B1516S</b>	1" (25)	3/4" (20)	14 Ga. (1.9)	300 (1.33)	12.7 (5.8)
<b>B1520S</b>	1 1/4" (32)	1" (25)	14 Ga. (1.9)	300 (1.33)	14.6 (6.6)
<b>B1524S</b>	1 1/2" (40)	1 1/4" (32)	12 Ga. (2.6)	400 (1.78)	20.5 (9.3)
<b>B1532S</b>	2" (50)	1 1/2" (40)	12 Ga. (2.6)	400 (1.78)	21.5 (9.8)
<b>B1534S</b>	– –	2" (50)	12 Ga. (2.6)	400 (1.78)	22.7 (10.3)
<b>B1540S</b>	2 1/2" (65)	2 1/2" (65)	12 Ga. (2.6)	400 (1.78)	26.0 (11.9)
<b>B1548S</b>	3" (80)	3" (80)	12 Ga. (2.6)	400 (1.78)	30.2 (13.7)
<b>B1556S</b>	3 1/2" (90)	3 1/2" (90)	12 Ga. (2.6)	400 (1.78)	33.3 (15.1)
<b>B1564S</b>	4" (100)	4" (100)	12 Ga. (2.6)	400 (1.78)	36.6 (16.6)

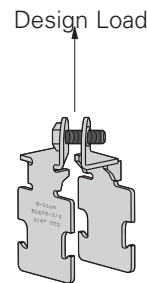
Reference page 168 for general fitting and standard finish specifications.

## B2601 thru B2610 TWIST EAR™ Pipe Clamp

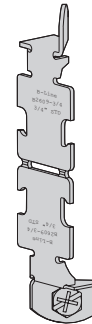
- One piece break apart, screw retainer, thread impressions
- Tighter alignment, no need to leave additional space between clamps in order to access nut and bolt
- Easier access bolt can be tightened directly from front
- Available in 1/2", 3/4", 1" rigid and EMT conduit
- Recommended Torque 30 in. - lbs.
- Safety Factor of 3
- Standard finish: ZN



Allows for multiple clamps to be used in succession, with easier access than other pipe clamps.



Break-apart - break in the middle, bolt the ends together.

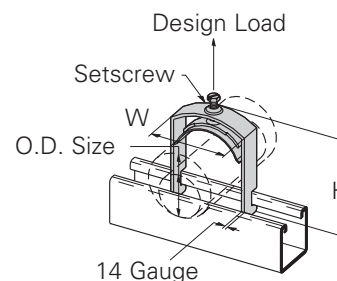


No loose pieces. One piece break apart with screw retainer and thread impressions.

Part No.	Use With		Thickness In. mm	Design Load Lbs. kN	Wt./C Lbs. kg
	EMT In. mm	Rigid Conduit In. mm			
B2601	1/2" (17.9)	— —	16 Ga. (1.5)	300 (1.34)	8.2 (3.7)
B2602	3/4" (23.4)	— —	14 Ga. (1.9)	500 (2.24)	13.5 (6.1)
B2603	1" (29.5)	— —	14 Ga. (1.9)	500 (2.24)	15.6 (7.1)
B2608	— —	1/2" (21.3)	16 Ga. (1.5)	300 (1.34)	8.2 (3.7)
B2609	— —	3/4" (26.7)	14 Ga. (1.9)	500 (2.24)	13.5 (6.1)
B2610	— —	1" (33.4)	14 Ga. (1.9)	500 (2.24)	15.6 (7.1)

## BP081SS thru BP475SS P Clamps

- Minimizes induction heating
- Material: Stainless Steel Type 304



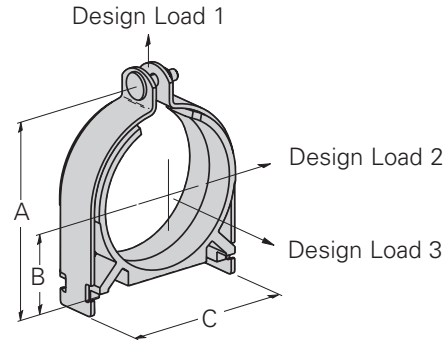
Part No.	O.D. Size		Height H		Width W		Design Load		Wt./C.	
	In.	mm	In.	mm	In.	mm	Lbs.	kN	Lbs.	kg
BP081SS	.250-.840	(6.4-21.3)	1.86	(47.2)	0.87	(22.1)	300	(1.33)	9.0	(4.1)
BP110SS	.810-1.100	(20.6-28.0)	2.18	(55.4)	1.19	(30.2)	300	(1.33)	12.0	(5.4)
BP135SS	.850-1.350	(21.6-34.8)	2.25	(57.2)	1.38	(35.1)	300	(1.33)	14.0	(6.3)
BP175SS	1.250-1.750	(31.8-44.4)	2.78	(70.6)	1.78	(45.2)	300	(1.33)	21.0	(9.5)
BP205SS	1.550-2.050	(39.4-52.1)	3.00	(76.2)	2.28	(57.9)	300	(1.33)	30.0	(13.6)
BP250SS	2.00-2.50	(50.8-63.5)	3.43	(87.1)	2.83	(71.9)	300	(1.33)	35.0	(15.9)
BP300SS	2.55-3.00	(64.7-76.2)	3.87	(97.8)	3.15	(80.0)	300	(1.33)	39.0	(17.7)
BP325SS	2.75-3.25	(69.9-82.8)	4.06	(103.1)	3.28	(83.3)	300	(1.33)	41.0	(18.6)
BP375SS	3.25-3.75	(82.6-95.3)	4.60	(116.8)	3.83	(97.3)	300	(1.33)	47.0	(21.3)
BP425SS	3.75-4.25	(95.3-108.0)	5.13	(130.3)	4.50	(114.3)	300	(1.33)	54.0	(24.4)
BP475SS	4.25-4.75	(108.0-120.7)	5.70	(144.7)	4.85	(123.2)	300	(1.33)	58.0	(26.3)

Reference page 168 for general fitting and standard finish specifications.

# Vibra-Clamp Pipe clamps

## BVT Series VIBRA-CLAMP™ - Copper & O.D.

- Safety Factor of 3
- Accesses tubing sizes 1/8" (3) to 6" (150)
- Allows easy one tool installation
- Endures both high (+300°F) and low (-40°F) temperatures
- Dampens vibration and noise
- Eliminates galvanic metal to metal contact
- Resists most industrial oils and solvents
- Reduces thermal loss and gain
- Helps secure tubing firmly to channel (strut)
- Dielectric strength of 400 volts/mil
- Includes cushion, clamp, screw and nut
- Standard finishes: YZN, SS4



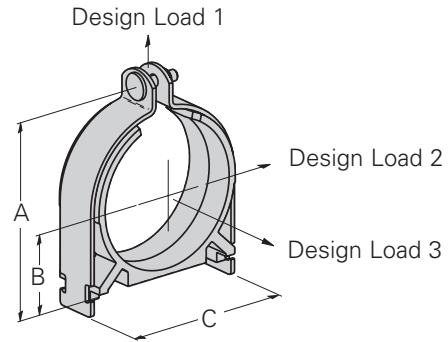
Catalog Number	Tubing O.D. Size		Copper Tubing Size		In. A mm		In. B mm		In. C mm		Wt./C Lbs./kg	
	In.	mm	In.	mm	In.	mm	In.	mm	In.	mm	Lbs.	kg
BVT025	1/4"	(6.3)	1/8"	(3)	1.22	(30.9)	0.19	(4.8)	0.49	(12.4)	11	(5.0)
BVT037	3/8"	(9.5)	1/4"	(6)	1.36	(34.5)	0.25	(6.3)	0.61	(15.5)	12	(5.4)
BVT050	1/2"	(12.7)	3/8"	(10)	1.49	(37.8)	0.31	(7.8)	0.74	(18.8)	14	(6.3)
BVT062	5/8"	(15.9)	1/2"	(15)	1.62	(41.1)	0.38	(9.6)	0.86	(21.8)	15	(6.8)
BVT075	3/4"	(19.0)	5/8"	(17)	1.87	(47.4)	0.50	(12.7)	1.15	(29.2)	19	(8.6)
BVT087	7/8"	(22.2)	3/4"	(20)	2.00	(50.8)	0.56	(14.2)	1.27	(32.2)	21	(9.5)
BVT100	1"	(25.4)	—	—	2.25	(57.1)	0.69	(17.5)	1.52	(38.6)	22	(10.0)
BVT112	1 1/8"	(28.6)	1"	(25)	2.25	(57.1)	0.69	(17.5)	1.52	(38.6)	26	(11.8)
BVT125	1 1/4"	(31.7)	—	—	2.51	(63.7)	0.81	(20.6)	1.78	(45.2)	36	(16.3)
BVT137	1 3/8"	(34.9)	1 1/4"	(32)	2.51	(63.7)	0.81	(20.6)	1.78	(45.2)	38	(17.2)
BVT150	1 1/2"	(38.1)	—	—	2.74	(69.6)	0.88	(22.4)	1.96	(49.8)	35	(15.9)
BVT162	1 5/8"	(41.3)	1 1/2"	(40)	3.00	(76.2)	1.00	(25.4)	2.20	(55.9)	40	(18.1)
BVT175	1 3/4"	(44.4)	—	—	3.13	(79.5)	1.06	(26.9)	2.33	(59.1)	44	(19.9)
BVT187	1 7/8"	(47.6)	—	—	3.28	(83.3)	1.13	(28.7)	2.46	(62.5)	40	(18.1)
BVT200	2"	(50.8)	—	—	3.52	(89.4)	1.25	(31.7)	2.70	(68.6)	55	(25.0)
BVT212	2 1/8"	(54.0)	2"	(50)	3.52	(89.4)	1.25	(31.7)	2.70	(68.6)	55	(25.0)
BVT225	2 1/4"	(57.1)	—	—	3.64	(92.4)	1.31	(33.2)	2.83	(71.8)	54	(24.5)
BVT250	2 1/2"	(63.5)	—	—	3.91	(99.3)	1.43	(36.3)	3.11	(79.0)	56	(25.4)
BVT262	2 5/8"	(66.6)	2 1/2"	(65)	4.02	(102.1)	1.50	(38.1)	3.20	(81.3)	55	(25.0)
BVT300	3"	(76.2)	—	—	4.42	(112.2)	1.68	(42.6)	3.61	(91.6)	67	(30.4)
BVT312	3 1/8"	(79.4)	3"	(80)	4.53	(115.0)	1.75	(44.4)	3.70	(93.9)	64	(29.0)
BVT362	3 5/8"	(92.1)	3 1/2"	(90)	5.05	(128.2)	2.00	(50.8)	4.23	(107.4)	76	(34.5)
BVT412	4 1/8"	(104.8)	4"	(100)	5.55	(140.9)	2.25	(57.1)	4.73	(120.1)	93	(42.2)
BVT612	6 1/8"	(155.5)	6"	(150)	7.62	(193.5)	3.25	(82.5)	6.74	(171.1)	136	(61.6)

Catalog Number	Design Load Lbs. <sup>1</sup> kN		Design Load Lbs. <sup>2</sup> kN		Design Load Lbs. <sup>3</sup> kN	
	Lbs.	kN	Lbs.	kN	Lbs.	kN
BVT025	400	(1.78)	50	(0.22)	50	(0.22)
BVT037	400	(1.78)	50	(0.22)	50	(0.22)
BVT050	400	(1.78)	50	(0.22)	50	(0.22)
BVT062	400	(1.78)	50	(0.22)	50	(0.22)
BVT075	600	(2.67)	75	(0.33)	75	(0.33)
BVT087	600	(2.67)	75	(0.33)	75	(0.33)
BVT100	600	(2.67)	75	(0.33)	75	(0.33)
BVT112	600	(2.67)	75	(0.33)	75	(0.33)
BVT125	600	(2.67)	75	(0.33)	75	(0.33)
BVT137	600	(2.67)	75	(0.33)	75	(0.33)
BVT150	600	(2.67)	75	(0.33)	75	(0.33)
BVT162	800	(3.56)	125	(0.56)	125	(0.56)
BVT175	800	(3.56)	125	(0.56)	125	(0.56)
BVT187	800	(3.56)	125	(0.56)	125	(0.56)
BVT200	800	(3.56)	125	(0.56)	125	(0.56)
BVT212	800	(3.56)	125	(0.56)	125	(0.56)
BVT225	800	(3.56)	125	(0.56)	125	(0.56)
BVT250	800	(3.56)	125	(0.56)	125	(0.56)
BVT262	800	(3.56)	125	(0.56)	125	(0.56)
BVT300	800	(3.56)	125	(0.56)	125	(0.56)
BVT312	800	(3.56)	125	(0.56)	125	(0.56)
BVT362	1000	(4.45)	200	(0.89)	150	(0.67)
BVT412	1000	(4.45)	200	(0.89)	150	(0.67)
BVT612	1000	(4.45)	200	(0.89)	150	(0.67)

Reference page 168 for general fitting and standard finish specifications.

## BVP Series VIBRA-CLAMP™ - Iron Pipe & Rigid Conduit

- Safety Factor of 3
- Accesses pipe sizes 1/4" (6) to 6" (150)
- Allows easy one tool installation
- Endures both high (+300°F) and low (-40°F) temperatures
- Dampens vibration and noise
- Eliminates galvanic metal to metal contact
- Resists most industrial oils and solvents
- Reduces thermal loss and gain
- Helps secure pipe firmly to channel (strut)
- Dielectric strength of 400 volts/mil
- Includes cushion, clamp, screw and nut
- Standard finishes: YZN, SS4



Catalog Number	Nominal Pipe Size		Steel O.D. Size		In. A		In. B		In. C		Wt./C	
	In.	mm	In.	mm	In.	mm	In.	mm	In.	mm	Lbs.	kg
<b>BVP025</b>	1/4"	(6.3)	0.540	(13.7)	1.61	(39.9)	0.37	(9.4)	0.87	(22.1)	15	(6.8)
<b>BVP037</b>	3/8"	(9.5)	0.675	(17.1)	1.86	(47.2)	0.50	(12.7)	1.15	(29.2)	18	(8.2)
<b>BVP050</b>	1/2"	(12.7)	0.875	(22.2)	1.99	(50.5)	0.56	(14.2)	1.27	(32.3)	20	(9.1)
<b>BVP075</b>	3/4"	(19.0)	1.050	(26.7)	2.25	(57.1)	0.69	(17.5)	1.52	(38.6)	21	(9.5)
<b>BVP100</b>	1"	(25.4)	1.312	(33.3)	2.51	(63.8)	0.81	(20.6)	1.77	(45.0)	20	(9.1)
<b>BVP125</b>	1 1/4"	(31.7)	1.660	(42.2)	3.00	(76.2)	1.00	(25.4)	2.21	(56.1)	36	(16.3)
<b>BVP150</b>	1 1/2"	(38.1)	1.900	(48.3)	3.21	(83.1)	1.12	(28.4)	2.41	(62.3)	40	(18.1)
<b>BVP200</b>	2"	(50.8)	2.375	(60.3)	3.77	(95.8)	1.37	(34.8)	2.96	(75.2)	45	(20.4)
<b>BVP250</b>	2 1/2"	(63.5)	2.875	(73.0)	4.28	(108.7)	1.62	(41.1)	3.46	(87.9)	54	(24.5)
<b>BVP300</b>	3"	(76.2)	3.500	(88.9)	5.05	(128.3)	2.00	(50.8)	4.24	(107.7)	81	(36.7)
<b>BVP350</b>	3 1/2"	(88.9)	4.000	(101.6)	5.55	(140.9)	2.25	(57.1)	4.74	(120.3)	87	(39.4)
<b>BVP400</b>	4"	(101.6)	4.500	(114.3)	6.05	(153.7)	2.50	(63.5)	5.24	(133.1)	109	(49.4)
<b>BVP500</b>	5"	(127.0)	5.563	(141.3)	6.84	(173.7)	3.00	(76.2)	6.24	(158.4)	136	(61.6)
<b>BVP600</b>	6"	(152.4)	6.625	(168.3)	8.24	(209.3)	3.56	(90.4)	7.36	(186.9)	163	(73.8)

Catalog Number	Design Load 1		Design Load 2		Design Load 3	
	Lbs. 1	kN	Lbs. 2	kN	Lbs. 3	kN
<b>BVP025</b>	400	(1.78)	50	(0.22)	50	(0.22)
<b>BVP037</b>	600	(2.67)	75	(0.33)	75	(0.33)
<b>BVP050</b>	600	(2.67)	75	(0.33)	75	(0.33)
<b>BVP075</b>	600	(2.67)	75	(0.33)	75	(0.33)
<b>BVP100</b>	600	(2.67)	75	(0.33)	75	(0.33)
<b>BVP125</b>	800	(3.56)	125	(0.56)	125	(0.56)
<b>BVP150</b>	800	(3.56)	125	(0.56)	125	(0.56)
<b>BVP200</b>	800	(3.56)	125	(0.56)	125	(0.56)
<b>BVP250</b>	800	(3.56)	125	(0.56)	125	(0.56)
<b>BVP300</b>	1000	(4.45)	200	(0.89)	150	(0.67)
<b>BVP350</b>	1000	(4.45)	200	(0.89)	150	(0.67)
<b>BVP400</b>	1000	(4.45)	200	(0.89)	150	(0.67)
<b>BVP500</b>	1000	(4.45)	200	(0.89)	150	(0.67)
<b>BVP600</b>	1000	(4.45)	200	(0.89)	150	(0.67)

Reference page 168 for general fitting and standard finish specifications.

# Armafix™ Clamps & Accessories

## IPH Series

### Inserted - Inserts with Clamps

- Engineered load-bearing inserts prevents insulation compression
- Innovative insulated pipe support
- Desirable "Foam-to-Foam" bond
- Service temperature range  
-58°F (-50°C) to +220°F (+105°C)



Insert Only



Assembly  
Insert & Clamp

### 3/4" Wall Insulation Thickness

Assembly Part No.	Insert Only Part No.	Pipe/Copper/OD Size	Hanger Size*
IPH03834	IPH03834WO	3/8" O.D.	2"
IPH01234	IPH01234WO	1/2" O.D.	2"
IPH05834	IPH05834WO	5/8" O.D.	2"
IPH07834	IPH07834WO	3/4" O.D. & 7/8" O.D.	2 1/2"
IPH11834	IPH11834WO	3/4" IPS & 1 1/8" O.D.	2 1/2"
IPH13834	IPH13834WO	1 3/8" O.D.	3"
IPH15834	IPH15834WO	1 5/8" O.D.	3 1/2"
IPH11034	IPH11034WO	1 1/2" IPS & 1 7/8" O.D.	3 1/2"
IPH21834	IPH21834WO	2 1/8" O.D.	4"
IPH25834	IPH25834WO	2 5/8" O.D.	5"
IPH31834	IPH31834WO	3 1/8" O.D.	5"
IPH35834	IPH35834WO	3 5/8" O.D.	6"
IPH41834	IPH41834WO	4 1/8" O.D.	6"
IPH40034	IPH40034WO	4" IPS	6"
IPH50034	IPH50034WO	5" IPS	8"
IPH60034	IPH60034WO	6" IPS	10"
IPH80034	IPH80034WO	8" IPS	12"

\* Recommended pipe hanger size for insulation thickness shown. (Order hanger separately)

### IPH18230

#### ARMAFLEX®† Insulation Tape

- 30 ft. (9.14 M) roll



†Armaflex® is a registered trademark of Armacell.

### 1/2" Wall Insulation Thickness

Assembly Part No.	Insert Only Part No.	Pipe/Copper/OD Size	Hanger Size*
IPH03812	IPH03812WO	3/8" O.D.	1 1/4"
IPH01212	IPH01212WO	1/2" O.D.	1 1/4"
IPH05812	IPH05812WO	5/8" O.D.	1 1/2"
IPH07812	IPH07812WO	3/4" O.D. & 7/8" O.D.	2"
IPH11812	IPH11812WO	3/4" IPS & 1 1/8" O.D.	2"
IPH13812	IPH13812WO	1 3/8" O.D.	2 1/2"
IPH15812	IPH15812WO	1 5/8" O.D.	2 1/2"
IPH11012	IPH11012WO	1 1/2" IPS & 1 7/8" O.D.	3"
IPH21812	IPH21812WO	2 1/8" O.D.	3"
IPH25812	IPH25812WO	2 5/8" O.D.	3 1/2"
IPH31812	IPH31812WO	3 1/8" O.D.	4"
IPH35812	IPH35812WO	3 5/8" O.D.	5"
IPH41812	IPH41812WO	4 1/8" O.D.	6"
IPH40012	IPH40012WO	4" IPS	6"
IPH50012	IPH50012WO	5" IPS	8"
IPH60012	IPH60012WO	6" IPS	8"

\* Recommended pipe hanger size for insulation thickness shown. (Order hanger separately)

### 1" Wall Insulation Thickness

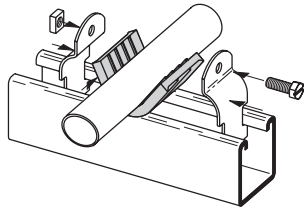
Assembly Part No.	Insert Only Part No.	Pipe/Copper/OD Size	Hanger Size*
IPH05810	IPH05810WO	5/8" O.D.	2 1/2"
IPH07810	IPH07810WO	3/4" O.D. & 7/8" O.D.	3"
IPH11810	IPH11810WO	3/4" IPS & 1 1/8" O.D.	3"
IPH13810	IPH13810WO	1 3/8" O.D.	3 1/2"
IPH15810	IPH15810WO	1 5/8" O.D.	3 1/2"
IPH11010	IPH11010WO	1 1/2" IPS & 1 7/8" O.D.	4"
IPH21810	IPH21810WO	2 1/8" O.D.	4"
IPH25810	IPH25810WO	2 5/8" O.D.	5"
IPH31810	IPH31810WO	3 1/8" O.D.	5"
IPH35810	IPH35810WO	3 5/8" O.D.	6"
IPH41810	IPH41810WO	4 1/8" O.D.	6"
IPH40010	IPH40010WO	4" IPS	8"
IPH50010	IPH50010WO	5" IPS	8"
IPH60010	IPH60010WO	6" IPS	10"
IPH80010	IPH80010WO	8" IPS	12"

\* Recommended pipe hanger size for insulation thickness shown. (Order hanger separately)

Reference page 168 for general fitting and standard finish specifications.

## B1999 VIBRA-CUSHION

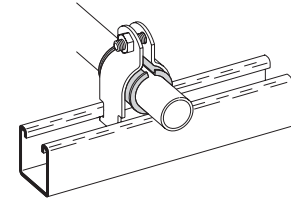
- Packaged 20 Ft. (6.09 m) per carton
- Ideal isolation material
- Inhibits galvanic corrosion
- Dampens sound and vibrations
- Service Temperature Range  
-75°F (-60°C) to +375°F (+199°C)
- Wt./Carton 3.8 Lbs. (1.7 kg)



### Features

Vibra-Cushion™ is designed for use with refrigeration lines, HVAC, copper tubing, glass pipe and hydraulic lines. It provides an energy-absorption barrier between the lines and the mounting material and remains flexible thru its entire service range of -75°F (-60°C) to +375°F (+199°C).

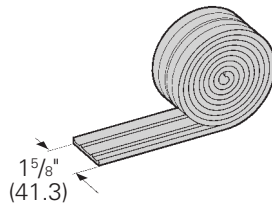
This elastomer allows for expansion and contraction within the mounting system and prevents galvanic reaction between dissimilar metals.



### For Rigid Conduit or Iron Pipe

Nominal Size In. mm	Length* In. mm	Use Clamp No.
3/8" (10)	2 1/8" (54.0)	<b>B2002</b>
1/2" (15)	2 5/8" (66.7)	<b>B2009</b>
3/4" (20)	3 1/4" (82.5)	<b>B2031</b>
1" (25)	4 1/8" (104.8)	<b>B2004</b>
1 1/4" (32)	5 3/16" (131.8)	<b>B2012</b>
1 1/2" (40)	5 15/16" (150.8)	<b>B2038</b>
2" (50)	7 1/2" (190.5)	<b>B2042</b>
2 1/2" (65)	9" (228.6)	<b>B2046</b>
3" (80)	11" (279.4)	<b>B2051</b>
3 1/2" (90)	12 1/2" (317.5)	<b>B2055</b>
4" (100)	14 1/2" (368.3)	<b>B2059</b>
5" (125)	17 7/16" (442.9)	<b>B2067</b>
6" (150)	20 3/4" (527.0)	<b>B2116</b>

\* Length of Vibra-Cushion



### For Thinwall (EMT) Conduit

Nominal Size In. mm	Length* In. mm	Use Clamp No.
3/8" (10)	1 13/16" (46.0)	<b>B2027</b>
1/2" (15)	2 13/16" (58.7)	<b>B2002</b>
3/4" (20)	2 7/8" (73.0)	<b>B2003</b>
1" (25)	3 5/8" (92.1)	<b>B2032</b>
1 1/4" (32)	4 3/8" (120.6)	<b>B2036</b>
1 1/2" (40)	5 7/16" (138.1)	<b>B2012</b>
2" (50)	6 7/8" (174.6)	<b>B2013</b>

\* Length of Vibra-Cushion

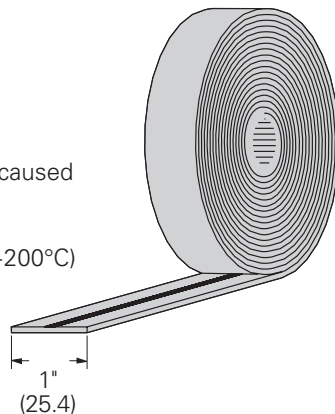
### For Copper Tubing Type L & K

Nominal Size In. mm	Length* In. mm	Use Clamp No.
1/4" (6)	1 3/16" (30.2)	<b>B2026</b>
3/8" (10)	1 9/16" (39.7)	<b>B2027</b>
1/2" (15)	1 7/8" (47.6)	<b>B2008</b>
5/8" (17)	2 5/16" (58.7)	<b>B2009</b>
3/4" (20)	2 3/4" (69.8)	<b>B2030</b>
1" (25)	3 1/2" (88.9)	<b>B2010</b>
1 1/4" (32)	4 5/16" (109.5)	<b>B2011</b>
1 1/2" (40)	5 1/8" (130.2)	<b>B2012</b>
2" (50)	6 11/16" (169.9)	<b>B2013</b>
2 1/2" (65)	8 1/4" (209.5)	<b>B2014</b>
3" (80)	9 13/16" (249.2)	<b>B2048</b>
3 1/2" (90)	11 3/8" (288.9)	<b>B2052</b>
4" (100)	12 5/16" (328.6)	<b>B2056</b>
5" (125)	16 1/8" (409.6)	<b>B2064</b>
6" (150)	19 1/4" (488.9)	<b>B2112</b>
8" (200)	25 1/2" (647.7)	<b>B2128</b>

\* Length of Vibra-Cushion

## ISO Pipe Isolator

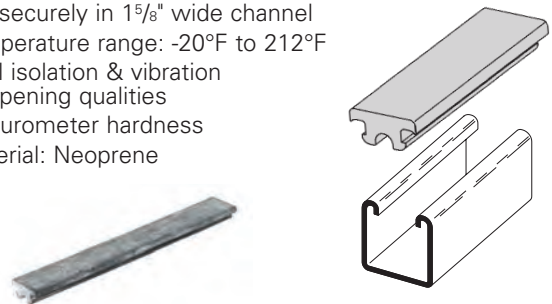
- Non-adhesive rubber tape
- Fuses to itself
- Water resistant
- Ideal Isolation material
- Prevents galvanic reaction caused by dissimilar metal contact
- Temperature Range  
-140°F (-60°C) to +395°F (+200°C)



Part No.	Thickness In. mm	Ft./Roll Ft. m
<b>ISO</b>	.020 (0.5)	36 (11)

## BVS Type - Vibra Strip™ for 1 5/8" (41.3) wide B-Line channel

- Fits securely in 1 5/8" wide channel
- Temperature range: -20°F to 212°F
- Ideal isolation & vibration dampening qualities
- 45 durometer hardness
- Material: Neoprene



Part No.	Max. Load Lbs. per Lineal In. Lbs. kg/25.4 mm	Length In. mm	Std. Pkg.	Wt. Each Lbs. kg
<b>BVS-12</b>	40 (18.1)	12" (304.8)	25	.46 (.21)
<b>BVS-120</b>	40 (18.1)	120" (3048.0)	25	4.60 (2.08)

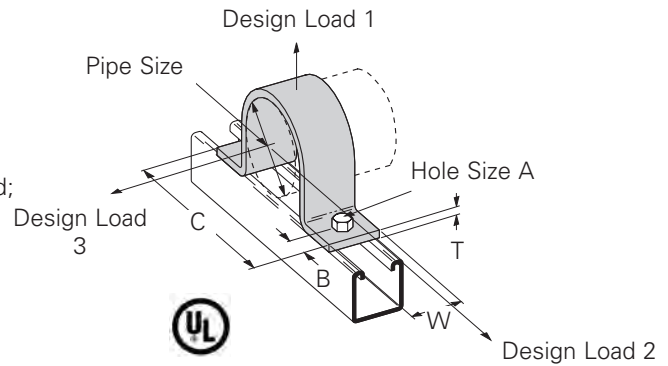
Reference page 168 for general fitting and standard finish specifications.



# Pipe clamps

## B2400 Series Standard Pipe Clamp

- Safety Factor of 5
- B2400-3/4 thru B2400-8 are UL listed
- Order hardware separately
- Other sizes available upon request
- Material: Sizes - 1/2" - 1 1/2", ASTM A1011 33,000 PSI min. yield;  
2" - 12", ASTM A1018 33,000 PSI min. yield;  
14"-Larger, ASTM A36
- Standard finish: ZN
- Ductile iron sizes available
- Meets requirements of MSS SP-58 & SP-69 Type 26



Part No.	Pipe Size		A		B		C		T		W	
	In.	mm	In.	mm	In.	mm	In.	mm	In.	mm	In.	mm
B2400-1/2	1/2"	(15)	5/16"	(7.9)	7/16"	(11.1)	2 13/16"	(71.4)	10 Ga.	(3.4)	1 5/8"	(41.3)
B2400-3/4	3/4"	(20)	5/16"	(7.9)	7/16"	(11.1)	3"	(76.2)	10 Ga.	(3.4)	1 5/8"	(41.3)
B2400-1	1"	(25)	5/16"	(7.9)	7/16"	(11.1)	3 17/32"	(89.7)	10 Ga.	(3.4)	1 5/8"	(41.3)
B2400-1 1/4	1 1/4"	(32)	5/16"	(7.9)	7/16"	(11.1)	3 3/4"	(95.2)	10 Ga.	(3.4)	1 5/8"	(41.3)
B2400-1 1/2	1 1/2"	(40)	5/16"	(7.9)	7/16"	(11.1)	4 1/16"	(103.2)	10 Ga.	(3.4)	1 5/8"	(41.3)
B2400-2	2"	(50)	7/16"	(11.1)	1 1/16"	(17.4)	5 21/32"	(143.6)	1/4"	(6.3)	1 5/8"	(41.3)
B2400-2 1/2	2 1/2"	(65)	7/16"	(11.1)	1 1/16"	(17.4)	6 5/32"	(156.3)	1/4"	(6.3)	1 5/8"	(41.3)
B2400-3	3"	(80)	7/16"	(11.1)	1 1/16"	(17.4)	6 25/32"	(172.2)	1/4"	(6.3)	1 5/8"	(41.3)
B2400-3 1/2	3 1/2"	(90)	7/16"	(11.1)	1 1/16"	(17.4)	7 9/32"	(184.9)	1/4"	(6.3)	1 5/8"	(41.3)
B2400-4	4"	(100)	9/16"	(14.3)	1 1/16"	(17.4)	7 25/32"	(197.6)	1/4"	(6.3)	1 5/8"	(41.3)
B2400-5	5"	(125)	9/16"	(14.3)	1 1/16"	(17.4)	8 7/8"	(225.4)	1/4"	(6.3)	1 5/8"	(41.3)
B2400-6	6"	(150)	9/16"	(14.3)	1 1/16"	(17.4)	9 15/16"	(252.4)	1/4"	(6.3)	1 5/8"	(41.3)
B2400-8	8"	(200)	9/16"	(14.3)	1 1/16"	(17.4)	11 31/32"	(304.0)	1/4"	(6.3)	1 5/8"	(41.3)
B2400-10	10"	(250)	9/16"	(14.3)	1 1/16"	(17.4)	14"	(355.6)	1/4"	(6.3)	1 5/8"	(41.3)
B2400-12	12"	(300)	9/16"	(14.3)	1 1/16"	(17.4)	16"	(406.4)	1/4"	(6.3)	1 5/8"	(41.3)
B2400-14	14"	(350)	1 5/16"	(23.8)	1 1/2"	(38.1)	20 3/4"	(527.0)	3/8"	(9.5)	1 3/4"	(44.4)
B2400-16	16"	(400)	1 5/16"	(23.8)	1 1/2"	(38.1)	22 3/4"	(577.8)	3/8"	(9.5)	1 3/4"	(44.4)
B2400-18	18"	(460)	1 5/16"	(23.8)	1 3/4"	(44.4)	27"	(685.8)	1/2"	(12.7)	1 3/4"	(44.4)
B2400-20	20"	(510)	1 5/16"	(23.8)	1 3/4"	(44.4)	29"	(736.6)	1/2"	(12.7)	1 3/4"	(44.4)
B2400-24	24"	(610)	1 5/16"	(23.8)	1 3/4"	(44.4)	33"	(838.2)	1/2"	(12.7)	1 3/4"	(44.4)

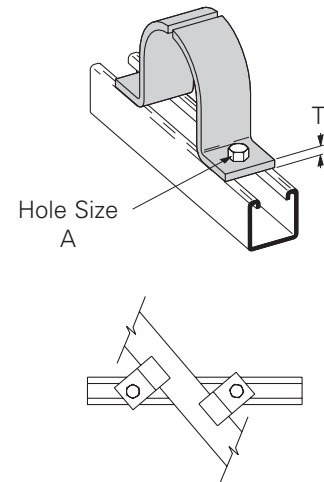
Part No.	Design Load 1		Design Load 2		Design Load 3		Wt./C	
	Lbs.	kN	Lbs.	kN	Lbs.	kN	Lbs.	kg
B2400-1/2	600	(2.67)	150	(.67)	105	(.47)	23	(10.4)
B2400-3/4	600	(2.67)	150	(.67)	105	(.47)	26	(11.8)
B2400-1	600	(2.67)	150	(.67)	120	(.53)	31	(14.0)
B2400-1 1/4	600	(2.67)	150	(.67)	120	(.53)	36	(16.3)
B2400-1 1/2	600	(2.67)	150	(.67)	120	(.53)	39	(17.7)
B2400-2	1200	(5.34)	480	(2.14)	180	(.80)	93	(42.2)
B2400-2 1/2	1200	(5.34)	480	(2.14)	180	(.80)	106	(48.1)
B2400-3	1200	(5.34)	480	(2.14)	300	(1.33)	132	(59.9)
B2400-3 1/2	1200	(5.34)	480	(2.14)	300	(1.33)	151	(68.5)
B2400-4	1500	(6.67)	600	(2.67)	450	(2.00)	160	(72.6)
B2400-5	1500	(6.67)	600	(2.67)	450	(2.00)	192	(87.1)
B2400-6	1500	(6.67)	600	(2.67)	450	(2.00)	219	(99.3)
B2400-8	2000	(8.90)	800	(3.56)	600	(2.67)	297	(134.7)
B2400-10	2000	(8.90)	800	(3.56)	600	(2.67)	465	(210.9)
B2400-12	2000	(8.90)	800	(3.56)	600	(2.67)	560	(254.0)
B2400-14	2000	(8.90)	800	(3.56)	600	(2.67)	761	(345.2)
B2400-16	2000	(8.90)	800	(3.56)	600	(2.67)	861	(390.5)
B2400-18	2000	(8.90)	800	(3.56)	600	(2.67)	1297	(588.3)
B2400-20	2000	(8.90)	800	(3.56)	600	(2.67)	1426	(646.8)
B2400-24	2000	(8.90)	800	(3.56)	600	(2.67)	1682	(762.9)

Reference page 168 for general fitting and standard finish specifications.

## B437 Series Two Piece Pipe Clamp

- Clamp halves can turn allowing pipe to be fastened to channel at any direction
- Order hardware separately
- Standard finish: ZN

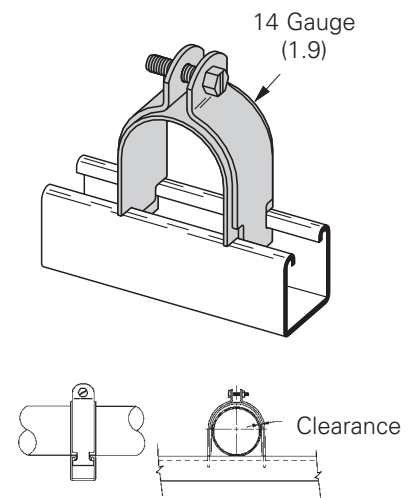
Part No.	Pipe Size		A		T		Wt./C	
	In.	mm	In.	mm	In.	mm	Lbs.	kg
B437-1/2	1/2"	(15)	5/16"	(7.9)	10 Ga.	(3.4)	22	(10.0)
B437-3/4	3/4"	(20)	5/16"	(7.9)	10 Ga.	(3.4)	26	(11.8)
B437-1	1"	(25)	5/16"	(7.9)	10 Ga.	(3.4)	30	(13.6)
B437-1 1/4	1 1/4"	(32)	5/16"	(7.9)	10 Ga.	(3.4)	35	(15.9)
B437-1 1/2	1 1/2"	(40)	5/16"	(7.9)	10 Ga.	(3.4)	38	(17.2)
B437-2	2"	(50)	7/16"	(11.1)	1/4"	(6.3)	91	(41.3)
B437-2 1/2	2 1/2"	(65)	7/16"	(11.1)	1/4"	(6.3)	104	(47.2)
B437-3	3"	(80)	7/16"	(11.1)	1/4"	(6.3)	130	(58.9)
B437-3 1/2	3 1/2"	(90)	7/16"	(11.1)	1/4"	(6.3)	149	(67.6)
B437-4	4"	(100)	9/16"	(11.1)	1/4"	(6.3)	158	(71.6)
B437-5	5"	(125)	9/16"	(11.1)	1/4"	(6.3)	190	(86.2)
B437-6	6"	(150)	9/16"	(11.1)	1/4"	(6.3)	217	(98.4)
B437-8	8"	(200)	9/16"	(11.1)	1/4"	(6.3)	295	(133.8)



## B2417 Strut Mounted Pipe Guide

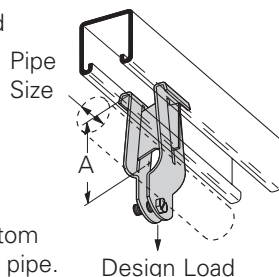
- Copper tubing sizes available - B2417CT Series
- Standard finish: ZN

Part No.	Pipe Size		Minimum Radial Clearance	Includes Clamp No.	Wt./C		
	In.	mm			In.	mm	Lbs.
B2417-1/2	1/2"	(15)	1/16"	(1.6)	B2009	22	(10.0)
B2417-3/4	3/4"	(20)	1/16"	(1.6)	B2010	25	(11.3)
B2417-1	1"	(25)	3/32"	(2.3)	B2034	30	(13.6)
B2417-1 1/4	1 1/4"	(32)	3/32"	(2.3)	B2037	47	(21.8)
B2417-1 1/2	1 1/2"	(40)	3/32"	(2.3)	B2039	51	(23.1)
B2417-2	2"	(50)	1/8"	(3.2)	B2043	62	(28.1)
B2417-2 1/2	2 1/2"	(65)	1/8"	(3.2)	B2047	69	(31.3)
B2417-3	3"	(80)	5/32"	(3.9)	B2016	108	(49.0)
B2417-3 1/2	3 1/2"	(90)	5/32"	(3.9)	B2017	118	(53.5)
B2417-4	4"	(100)	5/32"	(3.9)	B2018	128	(58.0)



## B2070 thru B2080 Parallel Pipe Clamp

- Safety Factor of 2
- Designed to support pipe or rigid conduit
- Includes:
  - 1 pr. pipe clamps
  - 1 pc. stand off plate
  - 1 pc. hotted hex head machine screws
  - 1 pc. Square Nut
- Standard finish: ZN



A dimension, from bottom of channel to center of pipe.

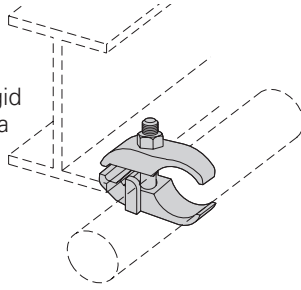
Part No.	Pipe Size		A		Material Thickness	Design Load	Wt./C	
	In.	mm	In.	mm			Lbs.	kN
B2070	3/8"	(10)	1 11/16"	(42.9)	16 Ga. (1.5)	300 (1.33)	24	(10.9)
B2071	1/2"	(15)	1 3/4"	(44.4)	16 Ga. (1.5)	300 (1.33)	26	(11.8)
B2072	3/4"	(20)	1 7/8"	(47.6)	14 Ga. (1.9)	300 (1.33)	30	(13.6)
B2073	1"	(25)	2"	(50.8)	14 Ga. (1.9)	400 (1.78)	33	(14.9)
B2074	1 1/4"	(32)	2 3/16"	(55.6)	14 Ga. (1.9)	400 (1.78)	36	(16.3)
B2075	1 1/2"	(40)	2 5/16"	(58.7)	12 Ga. (2.6)	500 (2.22)	50	(22.7)
B2076	2"	(50)	2 9/16"	(65.1)	12 Ga. (2.6)	500 (2.22)	55	(24.9)
B2077	2 1/2"	(65)	2 7/8"	(73.0)	12 Ga. (2.6)	500 (2.22)	60	(27.2)
B2078	3"	(80)	3 3/16"	(80.9)	12 Ga. (2.6)	500 (2.22)	66	(29.9)
B2079	3 1/2"	(90)	3 7/16"	(87.3)	11 Ga. (3.0)	500 (2.22)	85	(38.5)
B2080	4"	(100)	3 5/8"	(92.1)	11 Ga. (3.0)	500 (2.22)	95	(43.1)

Reference page 168 for general fitting and standard finish specifications.

# Pipe clamps

## B670 Series Parallel Pipe Clamp

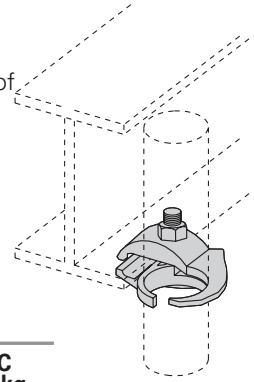
- Designed to support pipe or rigid conduit parallel to the edge of a beam or angle iron
- Hardware included
- Material: Malleable iron
- Standard finish: HDG



Part Number	Pipe/Conduit Size		Wt./C	
	In.	mm	Lbs.	kg
B670-3/8	3/8"	(10)	32	(14.5)
B670-1/2	1/2"	(15)	58	(26.3)
B670-3/4	3/4"	(20)	64	(29.0)
B670-1	1"	(25)	70	(31.7)
B670-1 1/4	1 1/4"	(32)	77	(34.9)
B670-1 1/2	1 1/2"	(40)	93	(42.2)
B670-2	2"	(50)	105	(47.6)
B670-2 1/2	2 1/2"	(65)	143	(64.8)
B670-3	3"	(80)	164	(74.4)
B670-3 1/2	3 1/2"	(90)	190	(86.2)
B670-4	4"	(100)	205	(93.0)

## B671 Series Edge Pipe Clamp

- Designed to support pipe or rigid conduit perpendicular to the edge of a beam or angle iron
- Hardware included
- Material: Malleable iron
- Standard finish: HDG

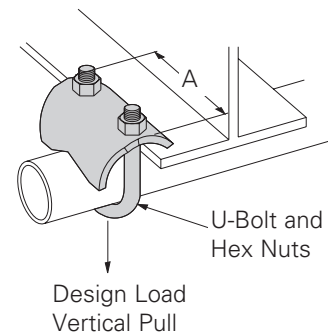


Part Number	Pipe/Conduit Size		Wt./C	
	In.	mm	Lbs.	kg
B671-1/2	1/2"	(15)	67	(30.4)
B671-3/4	3/4"	(20)	71	(32.2)
B671-1	1"	(25)	85	(38.5)
B671-1 1/4	1 1/4"	(32)	91	(41.3)
B671-1 1/2	1 1/2"	(40)	115	(52.1)
B671-2	2"	(50)	135	(61.2)
B671-2 1/2	2 1/2"	(65)	183	(83.0)
B671-3	3"	(80)	230	(104.3)

## B422 Series Right Angle Clamp

- Safety Factor of 5
- Material: 7 gauge (4.5)
- Standard finishes: ZN, SS4

Part No.	Conduit Size		A	Design Load Vertical Pull		Wt./C		
	In.	mm		In.	mm	Lbs.	kg	
B422-1/2	1/2"	(15)	2 3/8"	(60.3)	250	(1.11)	38	(17.2)
B422-3/4	3/4"	(20)	2 3/8"	(60.3)	300	(1.33)	39	(17.7)
B422-1	1"	(25)	2 7/8"	(73.0)	400	(1.78)	48	(21.8)
B422-1 1/4	1 1/4"	(32)	2 7/8"	(73.0)	400	(1.78)	50	(22.7)
B422-1 1/2	1 1/2"	(40)	3 1/4"	(82.5)	500	(2.22)	59	(26.7)
B422-2	2"	(50)	3 11/16"	(93.7)	600	(2.67)	75	(34.0)
B422-2 1/2	2 1/2"	(65)	4 1/4"	(107.9)	700	(3.11)	98	(44.4)
B422-3	3"	(80)	4 7/8"	(123.8)	800	(3.56)	111	(50.3)
B422-3 1/2	3 1/2"	(90)	5 7/16"	(138.1)	900	(4.00)	123	(55.8)
B422-4	4"	(100)	6"	(152.4)	1000	(4.45)	135	(61.2)



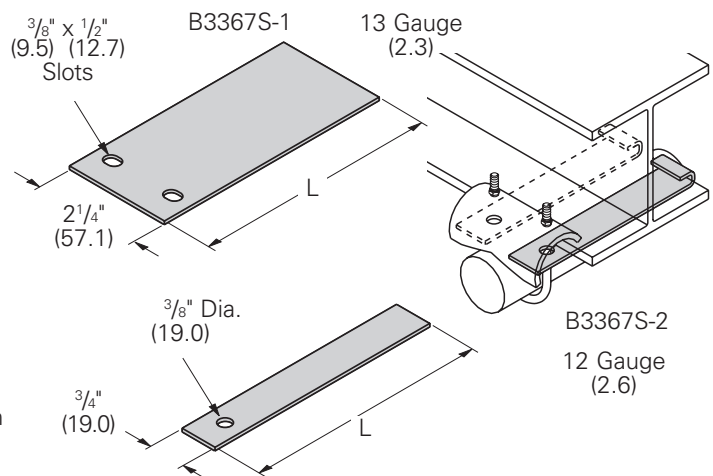
## B3367S Retaining Strap

- Available in 'L' lengths of 6" (152.4), 8" (203.2), 9" (228.6), 10" (254.0), 12" (304.8), 14" (355.6), 16" (406.4), 18" (457.2)
- Material: Steel
- Standard finishes: ZN, PLN

Part No.	For Use With	Wt./C**	
		Lbs.	kg
B3367S-1-L	B422-1/2 & 3/4	33.4	(5.8)
B3367S-2-L	B422-1, 1 1/4 & 1 1/2	12.8	(15.1)

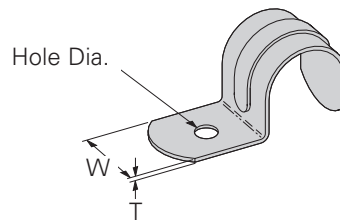
\*\* Wt./C based on 6" (152.4) length. For each additional inch in strap length add the following to the Wt./C.  
 For B3367S-1 add 5.7 Lbs (2.6 kg)  
 For B3367S-2 add 2.2 Lbs (1.0 kg)

Note: Use Fig. 69 (Old B3367-3/8 retaining strap, page 116) for B422-2 thru 4



## B2301 Series One Hole EMT Strap

- Standard finish: ZN

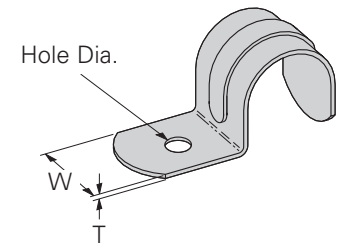


Part No.	Conduit Size		T		W		Hole Dia.		Wt./C	
	In.	mm	In.	mm	In.	mm	In.	mm	Lbs.	kg
B2301-1/2	1/2"	(15)	.050	(1.3)	3/4"	(19.0)	9/32"	(7.1)	2.4	(1.1)
B2301-3/4	3/4"	(20)	.050	(1.3)	7/8"	(22.2)	9/32"	(7.1)	4.2	(1.9)
B2301-1	1"	(25)	.050	(1.3)	1"	(25.4)	9/32"	(7.1)	8.3	(3.7)
B2301-1 1/4	1 1/4"	(32)	.065	(1.6)	1 1/4"	(31.7)	9/32"	(7.1)	11.0	(5.0)
B2301-1 1/2	1 1/2"	(40)	.090	(2.3)	1"	(25.4)	11/32"	(8.7)	14.8	(6.7)
B2301-2	2"	(50)	.090	(2.3)	1 1/4"	(31.7)	13/32"	(10.3)	21.6	(9.8)

## B2302 Series One Hole Rigid Conduit/Pipe Strap

- Standard finish: ZN

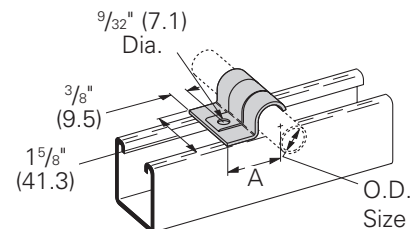
Part No.	Conduit/Pipe Size		T		W		Hole Dia.		Wt./C	
	In.	mm	In.	mm	In.	mm	In.	mm	Lbs.	kg
B2302-1/4	1/4"	(6)	.045	(1.1)	5/8"	(15.9)	13/64"	(5.1)	1.4	(.6)
B2302-3/8	3/8"	(10)	.050	(1.3)	3/4"	(19.0)	9/32"	(7.1)	2.4	(1.1)
B2302-1/2	1/2"	(15)	.050	(1.3)	7/8"	(22.2)	9/32"	(7.1)	3.3	(1.5)
B2302-3/4	3/4"	(20)	.050	(1.3)	7/8"	(22.2)	9/32"	(7.1)	3.8	(1.7)
B2302-1	1"	(25)	.065	(1.6)	1"	(25.4)	9/32"	(7.1)	7.2	(3.2)
B2302-1 1/4	1 1/4"	(32)	.065	(1.6)	1 1/4"	(31.7)	21/64"	(8.3)	11.0	(5.0)
B2302-1 1/2	1 1/2"	(40)	11 Ga.	(3.0)	1"	(25.4)	.380	(9.6)	19.2	(8.7)
B2302-2	2"	(50)	11 Ga.	(3.0)	1 1/4"	(31.7)	.389	(9.9)	28.8	(13.0)
B2302-2 1/2	2 1/2"	(65)	7 Ga.	(4.5)	1 1/4"	(31.7)	.665	(16.9)	55.2	(25.0)
B2302-3	3"	(80)	7 Ga.	(4.5)	1 1/4"	(31.7)	.650	(16.5)	68.0	(30.8)
B2302-3 1/2	3 1/2"	(90)	1/4"	(6.3)	1 1/4"	(31.7)	.622	(15.8)	96.0	(43.5)
B2302-4	4"	(100)	1/4"	(6.3)	1 1/4"	(31.7)	.630	(16.0)	108.0	(49.0)



## B2084 thru B2091 One Hole O.D. Tubing Clamp

- Material: 14 Gauge (1.9) ASTM A1011 33,000 PSI min. yield
- Standard finish: ZN

Part No.	O.D. Size		A		Wt./C	
	In.	mm	In.	mm	Lbs.	kg
B2084	1/4"	(6.3)	7/8"	(22.2)	4.0	(1.8)
B2085	5/16"	(7.9)	29/32"	(23.0)	4.2	(1.9)
B2086	3/8"	(9.5)	31/32"	(24.6)	5.2	(2.3)
B2087	1/2"	(12.7)	1 1/16"	(25.9)	5.8	(2.6)
B2088	5/8"	(15.9)	1 3/32"	(27.8)	7.1	(3.2)
B2089	3/4"	(19.0)	1 5/32"	(29.1)	7.7	(3.5)
B2090	7/8"	(22.2)	1 7/32"	(30.7)	8.7	(3.9)
B2091	1"	(25.4)	1 9/32"	(32.2)	10.0	(4.5)

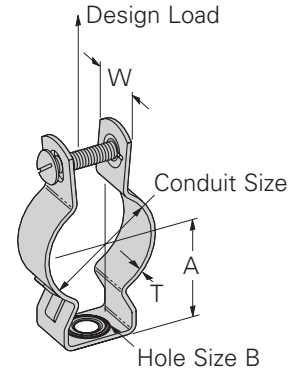


Reference page 168 for general fitting and standard finish specifications.

# Pipe clamps

## BL1400 Series Conduit Hanger

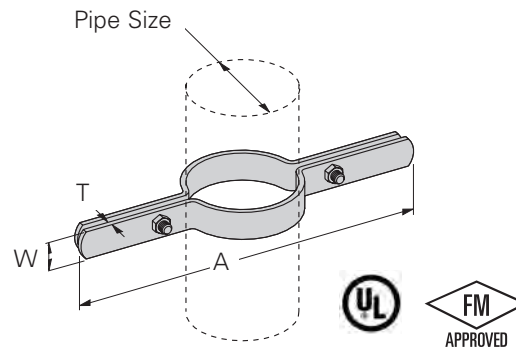
- Safety Factor of 3
- Unless noted all sizes fit both rigid (R) and thinwall (EMT) conduit
- Hardware included
- Now available in Dura-Copper™ finish - add DCU to part number.
- Standard finishes: ZN, SS4



Part No	Conduit Size	A		B		T		W		Design Load		Wt./C	
		In.	mm	In.	mm	In.	mm	In.	mm	Lbs.	kN	Lbs.	kg
BL1400	1/2" EMT & Rigid	29/32"	(23.0)	9/32"	(7.1)	16 Ga.	(1.5)	3/4"	(19.0)	50	(.222)	6	(2.7)
BL1410	3/4" EMT & Rigid	31/32"	(24.6)	9/32"	(7.1)	16 Ga.	(1.5)	3/4"	(19.0)	50	(.222)	7	(3.2)
BL1420	1" EMT & Rigid	1 1/4"	(31.7)	9/32"	(7.1)	16 Ga.	(1.5)	3/4"	(19.0)	60	(.267)	8	(3.6)
BL1425	1 1/4" EMT	1.2"	(30.5)	1/4"	(6.35)	18 Ga.	(1.2)	7/8"	(22.2)	75	(.334)	10	(4.5)
BL1430	1 1/4" Rigid, 1 1/2" EMT	1.375"	(34.9)	1/4"	(6.35)	18 Ga.	(1.2)	7/8"	(22.2)	80	(.356)	11	(5.0)
BL1440	1 1/2" Rigid	1.65"	(41.9)	5/16"	(7.94)	18 Ga.	(1.2)	1"	(25.4)	80	(.356)	16	(7.3)
BL1450	2" EMT & Rigid	1.94"	(49.3)	5/16"	(7.94)	18 Ga.	(1.2)	1"	(25.4)	100	(.445)	23	(10.4)
BL1460	2 1/2" EMT & Rigid	2.1"	(53.3)	5/16"	(7.94)	16 Ga.	(1.5)	1 1/4"	(31.7)	125	(.556)	29	(13.2)
BL1470	3" EMT & Rigid	2.45"	(62.2)	5/16"	(7.94)	16 Ga.	(1.5)	1 1/4"	(31.7)	165	(.734)	31	(14.1)
BL1480	3 1/2" EMT & Rigid	2.76"	(70.1)	5/16"	(7.94)	16 Ga.	(1.5)	1 1/4"	(31.7)	200	(.890)	38	(17.2)
BL1490	4" EMT & Rigid	3"	(76.2)	5/16"	(7.94)	16 Ga.	(1.5)	1 1/4"	(31.7)	230	(1.023)	38	(17.2)

## B3373 Series Riser Clamp

- Safety Factor of 3.5
- B3373-3/4 thru B3373-8 are UL Listed
- B3373-3/4 thru B3373-6 are FM Approved
- Includes hex head cap screws and hex nuts
- Standard finishes: ZN, PLN

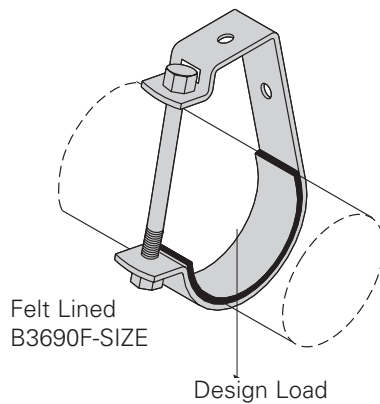


Part No.	Pipe Size		A		Design Load		Wt./C	
	In.	mm	In.	mm	Lbs.	kN	Lbs.	kg
B3373-1/2	1/2"	(15)	9"	(228.6)	255	(1.13)	101	(45.9)
B3373-3/4	3/4"	(20)	9 1/4"	(234.9)	255	(1.13)	105	(47.7)
B3373-1	1"	(25)	9 9/16"	(242.9)	255	(1.13)	109	(49.4)
B3373-1 1/4	1 1/4"	(32)	10"	(254.0)	255	(1.13)	112	(50.9)
B3373-1 1/2	1 1/2"	(32)	10 1/4"	(260.3)	255	(1.13)	113	(51.1)
B3373-2	2"	(40)	10 3/4"	(273.0)	255	(1.13)	165	(75.0)
B3373-2 1/2	2 1/2"	(50)	11 1/4"	(285.7)	390	(1.73)	180	(81.6)
B3373-3	3"	(65)	11 15/16"	(303.2)	530	(2.36)	195	(88.4)
B3373-3 1/2	3 1/2"	(80)	12 3/8"	(314.3)	670	(2.98)	217	(98.5)
B3373-4	4"	(90)	12 7/8"	(327.0)	810	(3.60)	228	(103.5)
B3373-5	5"	(100)	14"	(355.6)	1160	(5.16)	480	(217.7)
B3373-6	6"	(100)	15 3/16"	(385.8)	1570	(6.98)	526	(238.6)
B3373-8	8"	(100)	17 3/4"	(450.8)	2500	(11.12)	957	(434.1)

Reference page 168 for general fitting and standard finish specifications.

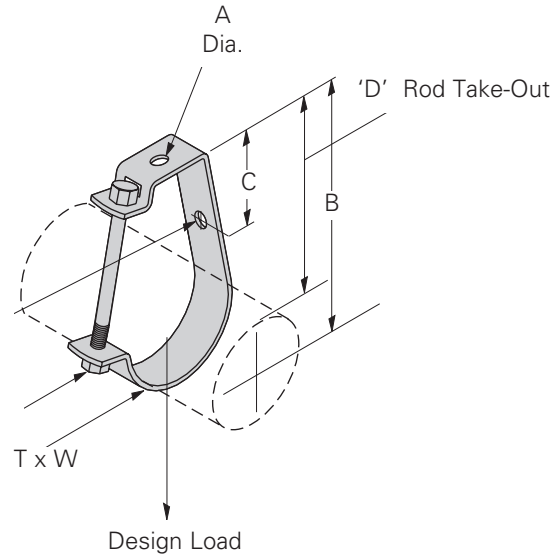
## B3690 Series Adjustable J Hanger

- Safety Factor of 5
- Material:
  - 12 Ga. (2.6) ASTM A1011 33,000 PSI min. yield
  - 11 Ga. (3.0) ASTM A1011 HSLA Gr. 50 Class 1
  - 7 Ga. (4.5) ASTM A1011 33,000 PSI min. yield and 1/4" (6.3) ASTM A1018 33,000 PSI min. yield
- Standard finish: ZN



'E' Diameter. Is For Wall Mounting

Bolt Size 'F' and Hex Nut Included



Part No.	Pipe or Conduit Size		A		B		C		D		E	
	In.	mm	In.	mm	In.	mm	In.	mm	In.	mm	In.	mm
B3690-1/2	1/2"	(15)	13/32"	(10.3)	23/32"	(53.2)	1"	(25.4)	1 11/16"	(42.5)	13/32"	(10.3)
B3690-3/4	3/4"	(20)	13/32"	(10.3)	2 11/32"	(59.5)	1"	(25.4)	1 13/16"	(46.2)	13/32"	(10.3)
B3690-1	1"	(25)	13/32"	(10.3)	2 19/32"	(65.9)	1"	(25.4)	1 5/16"	(49.2)	13/32"	(10.3)
B3690-1 1/4	1 1/4"	(32)	13/32"	(10.3)	2 13/16"	(71.4)	1"	(25.4)	2"	(50.4)	13/32"	(10.3)
B3690-1 1/2	1 1/2"	(40)	13/32"	(10.3)	3 1/16"	(77.8)	1"	(25.4)	2 1/8"	(53.7)	13/32"	(10.3)
B3690-2	2"	(50)	13/32"	(10.3)	3 1/2"	(88.9)	1"	(25.4)	2 5/16"	(58.7)	13/32"	(10.3)
B3690-2 1/2	2 1/2"	(65)	9/16"	(14.3)	4 7/16"	(112.7)	1"	(25.4)	3"	(76.2)	9/16"	(14.3)
B3690-3	3"	(80)	9/16"	(14.3)	4 7/8"	(123.8)	1"	(25.4)	3 1/8"	(79.4)	9/16"	(14.3)
B3690-3 1/2	3 1/2"	(90)	9/16"	(14.3)	5 3/16"	(131.8)	1"	(25.4)	3 3/16"	(81.0)	9/16"	(14.3)
B3690-4	4"	(100)	1 1/16"	(17.5)	6 1/8"	(155.6)	1 1/4"	(31.8)	3 7/8"	(98.4)	9/16"	(14.3)
B3690-5	5"	(125)	1 1/16"	(17.5)	6 3/4"	(171.4)	1 1/2"	(38.1)	4"	(100.8)	9/16"	(14.3)
B3690-6	6"	(150)	1 3/16"	(20.6)	7 3/4"	(196.8)	1 3/16"	(30.2)	4 7/16"	(112.7)	9/16"	(14.3)
B3690-8	8"	(200)	1 3/16"	(20.6)	9 1/4"	(235.0)	1"	(25.4)	4 15/16"	(125.4)	9/16"	(14.3)

Part No.	F Bolt Size	T		W		Design Load		Wt./C	
		In.	mm	In.	mm	Lbs.	kN	Lbs.	kg
B3690-1/2	1/4"-20 x 2 1/4"	12 Ga.	(2.6)	3/4"	(19.0)	400	(1.78)	20	(9.1)
B3690-3/4	1/4"-20 x 2 1/2"	12 Ga.	(2.6)	3/4"	(19.0)	400	(1.78)	23	(10.4)
B3690-1	1/4"-20 x 2 3/4"	12 Ga.	(2.6)	3/4"	(19.0)	400	(1.78)	24	(10.9)
B3690-1 1/4	1/4"-20 x 3"	12 Ga.	(2.6)	3/4"	(19.0)	400	(1.78)	27	(12.2)
B3690-1 1/2	1/4"-20 x 3 1/4"	12 Ga.	(2.6)	3/4"	(19.0)	400	(1.78)	29	(13.1)
B3690-2	1/4"-20 x 3 1/2"	12 Ga.	(2.6)	3/4"	(19.0)	400	(1.78)	32	(14.5)
B3690-2 1/2	3/8"-16 x 4 1/2"	11 Ga.	(3.0)	1 1/4"	(31.7)	800	(3.56)	71	(32.2)
B3690-3	3/8"-16 x 5"	11 Ga.	(3.0)	1 1/4"	(31.7)	800	(3.56)	77	(34.9)
B3690-3 1/2	3/8"-16 x 5 1/2"	11 Ga.	(3.0)	1 1/4"	(31.7)	800	(3.56)	84	(38.1)
B3690-4	3/8"-16 x 6 1/2"	7 Ga.	(4.5)	1 1/4"	(31.7)	800	(3.56)	139	(63.0)
B3690-5	3/8"-16 x 7 1/2"	7 Ga.	(4.5)	1 1/4"	(31.7)	800	(3.56)	166	(75.3)
B3690-6	3/8"-16 x 8 1/2"	1/4"	(6.3)	1 1/4"	(31.7)	1000	(4.45)	226	(102.5)
B3690-8	3/8"-16 x 10 1/2"	1/4"	(6.3)	1 1/2"	(38.1)	1200	(5.34)	332	(150.6)

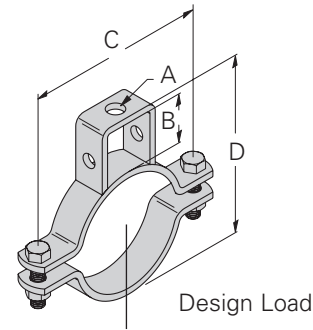
Reference page 168 for general fitting and standard finish specifications.



# Pipe hangers

**Fig. 4B Series (Formerly B386 Series)  
Suspension Rod Pipe Strap**

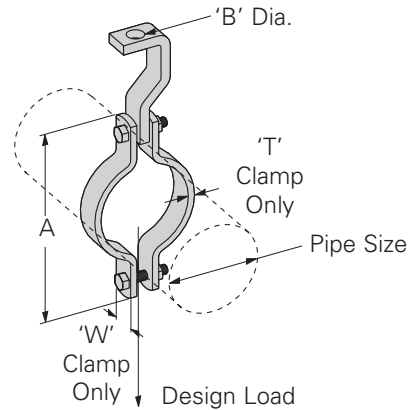
- Safety Factor of 3
- Includes hex head cap screws and hex nuts
- Standard finishes: ZN, GRN



Part No.	Pipe Size		Rod Size		B		C		D		Bolt Size	Design Load		Wt./C	
	in.	mm	A		in.	mm	in.	mm	in.	mm		Lbs.	kN	Lbs.	kg
4B-3/4	3/4"	(20)	3/8"-16		1"	(25.4)	2 7/8"	(73.0)	2 5/8"	(66.7)	5/16"-18	330	(1.47)	56	(3.6)
4B-1	1"	(25)	3/8"-16		1"	(25.4)	3 1/4"	(82.5)	2 15/16"	(74.6)	5/16"-18	330	(1.47)	60	(3.6)
4B-1 1/4	1 1/4"	(32)	3/8"-16		1"	(25.4)	3 9/16"	(90.6)	3 1/4"	(82.5)	5/16"-18	330	(1.47)	74	(4.5)
4B-1 1/2	1 1/2"	(40)	3/8"-16		1"	(25.4)	3 13/16"	(96.8)	3 7/16"	(87.3)	5/16"-18	330	(1.47)	79	(5.0)
4B-2	2"	(50)	3/8"-16		1 1/2"	(38.1)	5 1/8"	(130.2)	4 5/8"	(117.5)	5/16"-18	440	(1.78)	156	(5.0)
4B-2 1/2	2 1/2"	(65)	1/2"-13		1 3/4"	(44.4)	5 5/8"	(142.9)	5 3/8"	(136.5)	3/8"-16	440	(1.78)	176	(5.4)
4B-3	3"	(80)	1/2"-13		1 7/8"	(47.6)	6 3/4"	(171.4)	6 1/8"	(155.5)	3/8"-16	660	(2.93)	198	(6.3)
4B-3 1/2	3 1/2"	(90)	1/2"-13		2"	(50.8)	7 1/4"	(184.1)	6 3/4"	(171.4)	3/8"-16	660	(2.93)	219	(7.2)
4B-4	4"	(100)	5/8"-11		2"	(50.8)	8 5/8"	(219.1)	7 1/4"	(184.1)	2/2"-13	800	(3.56)	288	(8.1)
4B-5	5"	(125)	5/8"-11		2"	(50.8)	9 7/8"	(250.8)	8 5/16"	(211.1)	5/8"-11	980	(4.36)	390	(8.1)
4B-6	6"	(150)	3/4"-10		2 1/8"	(54.0)	10 15/16"	(277.8)	9 1/2"	(241.3)	5/8"-11	980	(4.36)	448	(8.1)
4B-8	8"	(200)	7/8"-9		2 1/8"	(54.0)	13 7/16"	(341.2)	11 1/2"	(292.1)	3/4"-10	1200	(5.34)	691	(8.1)

**B394 Series  
Pipe Strap**

- Safety Factor of 3
- Includes:
  - 1 Pair pipe clamps with hex head cap screws and hex nuts
  - 1 Hanger strap
- Standard finishes: ZN

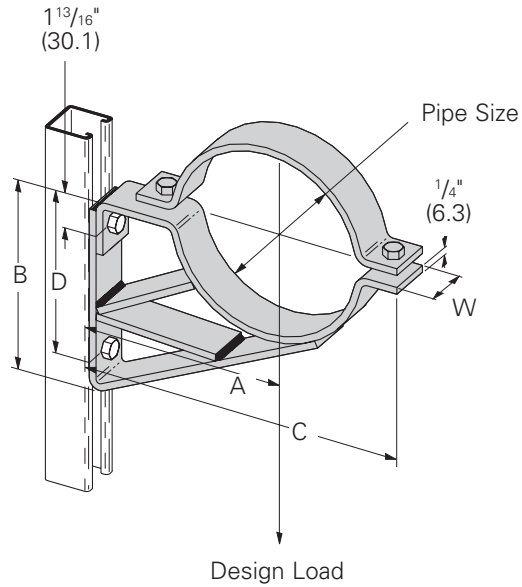


Part No.	Pipe Size		A		B		T		W		Design Load	Wt./C		
	In.	mm	In.	mm	In.	mm	In.	mm	In.	mm		Lbs.	kg	
B394-3/4	3/4"	(20)	3 5/16"	(84.1)	7 1/16"	(11.1)	1 1/8"	(3.2)	1"	(25.4)	500	(2.22)	71	(32.2)
B394-1	1"	(25)	3 3/4"	(95.2)	7 1/16"	(11.1)	1 1/8"	(3.2)	1"	(25.4)	500	(2.22)	76	(34.5)
B394-1 1/4	1 1/4"	(32)	4"	(101.6)	7 1/16"	(11.1)	1 1/8"	(3.2)	1"	(25.4)	500	(2.22)	77	(34.9)
B394-1 1/2	1 1/2"	(40)	4 5/16"	(109.5)	7 1/16"	(11.1)	1 1/8"	(3.2)	1"	(25.4)	800	(3.56)	79	(35.8)
B394-2	2"	(50)	5 1/2"	(139.7)	7 1/16"	(11.1)	1 1/4"	(6.3)	1"	(25.4)	1040	(4.62)	166	(75.3)
B394-2 1/2	2 1/2"	(65)	6 3/8"	(161.9)	9 1/16"	(14.3)	1 1/4"	(6.3)	1"	(25.4)	1040	(4.62)	179	(81.2)
B394-3	3"	(80)	7"	(177.8)	9 1/16"	(14.3)	1 1/4"	(6.3)	1"	(25.4)	1040	(4.62)	190	(86.2)
B394-3 1/2	3 1/2"	(90)	7 9/16"	(192.1)	9 1/16"	(14.3)	1 1/4"	(6.3)	1"	(25.4)	1040	(4.62)	203	(92.1)
B394-4	4"	(100)	8 5/8"	(219.1)	11 1/16"	(17.4)	1 1/4"	(6.3)	1 1/4"	(31.7)	1040	(4.62)	320	(145.1)
B394-5	5"	(125)	9 3/4"	(247.6)	11 1/16"	(17.4)	1 1/4"	(6.3)	1 1/4"	(31.7)	1040	(4.62)	353	(160.1)
B394-6	6"	(150)	11 5/8"	(295.3)	13 1/16"	(20.6)	3 7/8"	(9.5)	1 1/2"	(38.1)	1615	(7.18)	637	(288.9)
B394-8	8"	(200)	13 7/8"	(352.4)	13 1/16"	(20.6)	3 7/8"	(9.5)	1 1/2"	(38.1)	1615	(7.18)	837	(379.6)

Reference page 168 for general fitting and standard finish specifications.

## B591 Series Pipe Bracket Saddle and Clamp

- Safety Factor of 3
- Inside brace not required on B591-2 and B591-2½
- Includes:
  - 1 pc. Saddle bottom
  - 1 pc. Saddle top (clamp)
  - 2 pcs. Hex head cap screws
  - 2 pcs. Hex nuts
- Standard finish: ZN



Part No.	Pipe Size		A		B		C		D		W		Design Load		Wt./C	
	In.	mm	In.	mm	In.	mm	In.	mm	In.	mm	In.	mm	Lbs.	kN	Lbs.	kg
<b>B591-2</b>	2"	(50)	4½"	(114.3)	4½"	(114.3)	7 <sup>3</sup> / <sub>16</sub> "	(182.6)	3 <sup>1</sup> / <sub>16</sub> "	(77.8)	1 <sup>5</sup> / <sub>8</sub> "	(41.3)	1235	(5.53)	290	(131.5)
<b>B591-2½</b>	2½"	(65)	5"	(127.0)	5"	(127.0)	7 <sup>15</sup> / <sub>16</sub> "	(201.6)	3 <sup>9</sup> / <sub>16</sub> "	(90.5)	1 <sup>5</sup> / <sub>8</sub> "	(41.3)	1180	(5.29)	330	(149.7)
<b>B591-3</b>	3"	(80)	5½"	(139.7)	5¾"	(146.0)	8 <sup>3</sup> / <sub>4</sub> "	(222.2)	3 <sup>13</sup> / <sub>16</sub> "	(96.8)	1 <sup>5</sup> / <sub>8</sub> "	(41.3)	1125	(5.04)	439	(199.1)
<b>B591-3½</b>	3½"	(90)	6"	(152.4)	6¾"	(171.4)	9½"	(241.3)	4 <sup>9</sup> / <sub>16</sub> "	(115.9)	1 <sup>5</sup> / <sub>8</sub> "	(41.3)	1070	(4.79)	490	(222.2)
<b>B591-4</b>	4"	(100)	6½"	(165.1)	6¾"	(171.4)	10¼"	(260.3)	6 <sup>1</sup> / <sub>16</sub> "	(128.6)	1 <sup>5</sup> / <sub>8</sub> "	(41.3)	1015	(4.55)	545	(247.2)
<b>B591-5</b>	5"	(125)	7½"	(190.5)	8"	(203.2)	12 <sup>1</sup> / <sub>8</sub> "	(308.0)	6 <sup>1</sup> / <sub>16</sub> "	(154.0)	1 <sup>5</sup> / <sub>8</sub> "	(41.3)	960	(4.30)	666	(302.1)
<b>B591-6</b>	6"	(150)	8"	(203.2)	8¾"	(222.2)	13 <sup>3</sup> / <sub>16</sub> "	(335.0)	6 <sup>13</sup> / <sub>16</sub> "	(173.0)	1 <sup>5</sup> / <sub>8</sub> "	(41.3)	905	(4.05)	724	(328.4)
<b>B591-8</b>	8"	(200)	9"	(228.6)	10½"	(266.7)	15 <sup>9</sup> / <sub>16</sub> "	(395.3)	8 <sup>9</sup> / <sub>16</sub> "	(217.5)	2"	(50.8)	850	(3.81)	1087	(493.0)

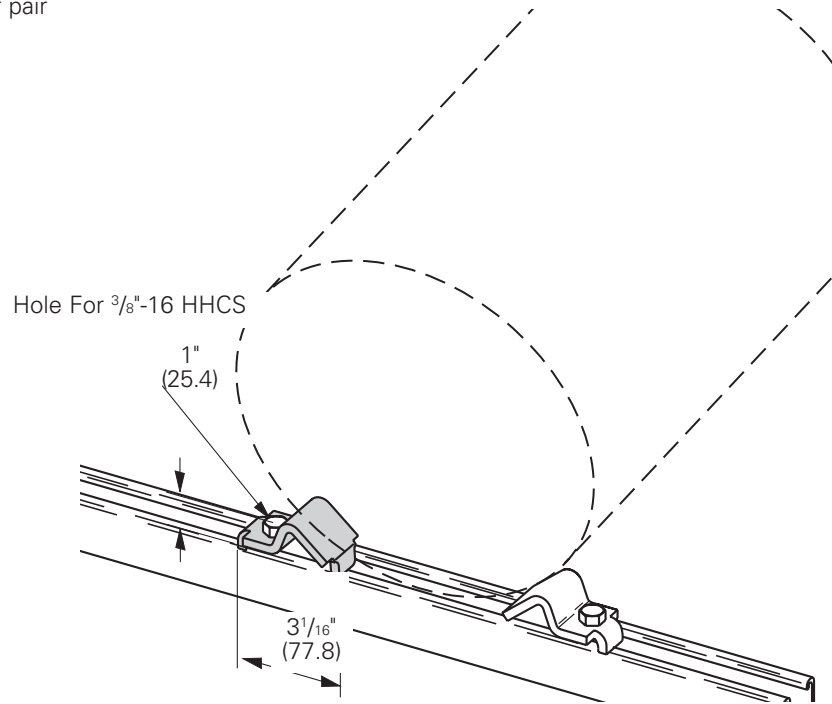
Reference page 168 for general fitting and standard finish specifications.

# Pipe block

## B356

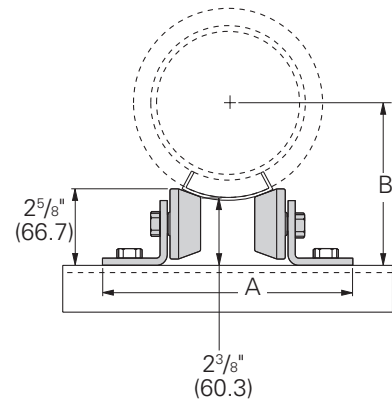
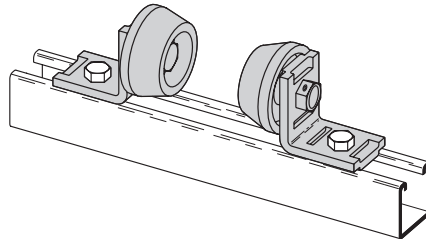
### Pipe Block - 2" (50) to 8" (200) Pipe

- Required hardware not included:
  - 1 pc.  $\frac{3}{8}$ "-16 x 1" Hex head cap screw
  - 1 pc.  $\frac{3}{8}$ "-16 Channel nut
- Material:  $\frac{1}{4}$ " (6.3) thick  $1\frac{5}{8}$ " (41.3) wide  
ASTM A1018 33,000 PSI min. yield
- Standard finish: ZN
- Wt./C 42 Lbs. (19.0 kg) Per pair



**B218**  
**Pipe Rollers - 1/2" (15) to 8" (200) Pipe**

- Design Load 500 Lbs. (2.22 kN)
- Safety Factor of 5
- When used with B3160 thru B3165 Saddles (see Pipe Hanger Catalog)
- Malleable iron rollers
- Sold in pairs
- Required hardware not included:  
 2 pcs. 1/2"-13 x 1 1/4" Hex head cap screws  
 2 pcs. 1/2"-13 Channel nuts
- Standard finish: ZN
- Wt./C 256 Lbs. (116.1 kg) Per pair



**Reference Chart - A Dimension**

Pipe Size	Insulation Thickness in. (mm)						
	0" (0.0)	1" (25.4)	1 1/2" (38.1)	2" (50.8)	2 1/2" (63.5)	3" (76.2)	4" (101.6)
1/2" (15)	7 1/4" (184.1)	— —	— —	— —	— —	— —	— —
3/4" (20)	7 1/4" (184.1)	7 1/4" (184.1)	7 5/8" (193.7)	8" (203.2)	— —	— —	— —
1" (25)	7 1/4" (184.1)	7 1/4" (184.1)	7 5/8" (193.7)	8 1/4" (209.5)	— —	— —	— —
1 1/4" (32)	7 1/4" (184.1)	7 1/4" (184.1)	8" (203.2)	8 1/4" (209.5)	— —	— —	— —
1 1/2" (40)	7 1/4" (184.1)	7 5/8" (193.7)	8" (203.2)	8 1/2" (215.9)	9" (228.6)	— —	— —
2" (50)	7 1/4" (184.1)	7 5/8" (193.7)	8 1/2" (215.9)	8 1/2" (215.9)	9" (228.6)	— —	— —
2 1/2" (65)	7 1/4" (184.1)	8" (203.2)	8 1/2" (215.9)	9" (228.6)	10" (254.0)	— —	— —
3" (80)	7 1/4" (184.1)	8 1/2" (215.9)	9" (228.6)	9" (228.6)	10" (254.0)	10" (254.0)	— —
3 1/2" (90)	7 1/4" (184.1)	8 1/2" (215.9)	9" (228.6)	10" (254.0)	10" (254.0)	10" (254.0)	— —
4" (100)	7 5/8" (193.7)	9" (228.6)	9" (228.6)	10" (254.0)	10" (254.0)	11" (279.4)	— —
5" (125)	8 1/2" (215.9)	9" (228.6)	10" (254.0)	10" (254.0)	11" (279.4)	11" (279.4)	12" (304.8)
6" (150)	9" (228.6)	10" (254.0)	10" (254.0)	11" (279.4)	11" (279.4)	11" (279.4)	12" (304.8)
8" (200)	10" (254.0)	11" (279.4)	11" (279.4)	11" (279.4)	12" (304.8)	— —	— —

**Reference Chart - B Dimension**

Pipe Size	Insulation Thickness in. (mm)						
	0" (0.0)	1" (25.4)	1 1/2" (38.1)	2" (50.8)	2 1/2" (63.5)	3" (76.2)	4" (101.6)
1/2" (15)	2 1/16" (68.3)	— —	— —	— —	— —	— —	— —
3/4" (20)	2 13/16" (71.4)	3 7/8" (98.4)	4 3/8" (111.1)	4 7/8" (123.8)	— —	— —	— —
1" (25)	2 15/16" (74.6)	4 3/16" (106.4)	4 11/16" (119.1)	5 1/16" (128.6)	— —	— —	— —
1 1/4" (32)	3 1/8" (79.4)	4 3/16" (106.4)	4 5/8" (117.5)	5 1/8" (130.2)	— —	— —	— —
1 1/2" (40)	3 1/4" (82.5)	4 3/8" (111.1)	4 7/8" (123.8)	5 5/16" (134.9)	5 3/4" (146.0)	— —	— —
2" (50)	3 9/16" (90.5)	4 11/16" (119.1)	5 1/16" (128.6)	5 5/8" (142.9)	6 1/16" (154.0)	— —	— —
2 1/2" (65)	3 13/16" (96.8)	4 7/8" (123.8)	5 5/16" (134.9)	6" (152.4)	6 3/8" (161.9)	— —	— —
3" (80)	4 1/8" (104.8)	5 1/16" (128.6)	5 9/16" (141.3)	6 1/8" (155.6)	6 7/16" (163.5)	7" (177.8)	— —
3 1/2" (90)	4 3/8" (111.1)	5 5/16" (134.9)	5 13/16" (147.6)	6 1/4" (158.7)	6 11/16" (169.9)	7 1/4" (184.1)	— —
4" (100)	4 5/8" (117.5)	5 9/16" (141.3)	6 1/16" (154.0)	6 7/16" (163.5)	6 15/16" (176.2)	7 3/8" (187.3)	— —
5" (125)	5" (127.0)	6 1/16" (154.0)	6 7/16" (163.5)	7" (177.8)	7 3/8" (187.3)	7 7/8" (200.0)	8 13/16" (223.8)
6" (150)	5 1/2" (139.7)	6 7/16" (163.5)	6 15/16" (176.2)	7 3/8" (187.3)	7 15/16" (201.6)	8 1/2" (215.9)	9 1/2" (241.3)
8" (200)	6 15/16" (160.3)	7 3/8" (187.3)	7 15/16" (201.6)	8 7/16" (214.3)	8 15/16" (227.0)	— —	— —

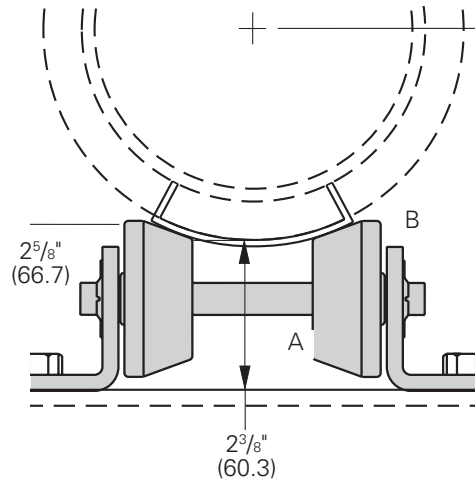
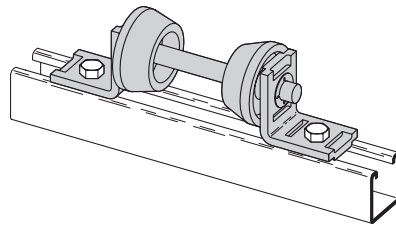
Reference page 168 for general fitting and standard finish specifications.

# Pipe rollers

## B219

### Pipe Roller Series - 3/4" (20) to 12" (300) Pipe

- Design Load 750 Lbs. (3.33 kN)
- Safety Factor of 5
- Requires field assembly
- When used with B3160 thru B3165 Saddles (see Pipe Hanger Catalog)
- Malleable iron rollers
- Sold in pairs
- Required hardware not included:  
2 pcs. 1/2"-13 x 1 1/4" Hex head cap screws  
2 pcs. 1/2"-13 Channel nuts
- Reference sizing chart on page 193
- Standard finish: ZN



### Reference Chart - A Dimension

Part No.	A		Wt./C PR	
	In.	mm	Lbs.	kg
<b>B219</b>	7 1/4"	(184.1)	253	(114.7)
<b>B219-1</b>	8"	(203.2)	258	(117.0)
<b>B219-2</b>	9"	(228.6)	263	(119.3)
<b>B219-3</b>	10"	(254.0)	269	(122.0)
<b>B219-4</b>	10 7/8"	(276.2)	274	(124.8)
<b>B219-5</b>	11 5/8"	(295.3)	279	(126.5)

### Reference Chart - B Dimension

Pipe Size	Insulation Thickness in. (mm)						
	0" (0.0)	1" (25.4)	1 1/2" (38.1)	2" (50.8)	2 1/2" (63.5)	3" (76.2)	4" (101.6)
1/2" (15)	2 11/16" (68.3)	-	-	-	-	-	-
3/4" (20)	2 13/16" (71.4)	3 7/8" (98.4)	4 1/2" (114.3)	4 7/8" (123.8)	-	-	-
1" (25)	2 15/16" (74.6)	4 3/16" (106.4)	4 5/8" (117.5)	5 1/16" (128.6)	-	-	-
1 1/4" (32)	3 1/8" (79.4)	4 3/16" (106.4)	4 5/8" (117.5)	5 1/8" (130.2)	-	-	-
1 1/2" (40)	3 1/4" (82.5)	4 7/16" (112.7)	4 7/8" (123.8)	5 1/4" (133.3)	5 3/4" (146.0)	-	-
2" (50)	3 9/16" (90.5)	4 5/8" (117.5)	5 3/16" (131.8)	5 1/2" (139.7)	6 1/16" (154.0)	-	-
2 1/2" (65)	3 3/4" (95.2)	4 7/8" (123.8)	5 1/4" (133.3)	6" (152.4)	6 3/8" (161.9)	-	-
3" (80)	4 1/8" (104.8)	5 1/8" (130.2)	5 9/16" (141.3)	6 1/16" (154.0)	6 7/16" (163.5)	6 15/16" (176.2)	-
3 1/2" (90)	4 1/4" (107.9)	5 1/4" (133.3)	5 13/16" (147.6)	6 1/4" (158.7)	6 11/16" (169.9)	7 1/16" (179.4)	-
4" (100)	4 9/16" (115.9)	5 1/2" (139.7)	6 1/16" (154.0)	6 7/16" (163.5)	6 15/16" (176.2)	7 3/8" (187.3)	-
5" (125)	5 1/16" (128.6)	6 1/16" (154.0)	6 7/16" (163.5)	7" (177.8)	7 3/8" (187.3)	7 7/8" (200.0)	8 15/16" (227.0)
6" (150)	5 7/16" (138.1)	6 7/16" (163.5)	6 15/16" (176.2)	7 3/8" (187.3)	7 7/8" (200.0)	8 15/16" (211.1)	9 9/16" (242.9)
8" (200)	6 3/8" (161.9)	7 7/16" (188.9)	7 15/16" (201.6)	8 3/8" (212.7)	9" (228.6)	-	-
10" (250)	7 5/16" (185.7)	8 3/16" (208.0)	-	-	-	-	-
12" (300)	8 1/4" (209.5)	-	-	-	-	-	-

Reference B219 sizing chart on page 193

Reference page 168 for general fitting and standard finish specifications.

**B219 Sizing Chart**

Pipe Size	Insulation Thickness in. (mm)						
	0" (0.0)	1" (25.4)	1½" (38.1)	2" (50.8)	2½" (63.5)	3" (76.2)	4" (101.6)
½" (15)	B219	–	–	–	–	–	–
¾" (20)	B219	B219	B219	B219-1	–	–	–
1" (25)	B219	B219	B219-1	B219-1	–	–	–
1¼" (32)	B219	B219	B219-1	B219-1	–	–	–
1½" (40)	B219	B219	B219-1	B219-2	B219-2	–	–
2" (50)	B219	B219-1	B219-1	B219-2	B219-2	–	–
2½" (65)	B219	B219-1	B219-2	B219-2	B219-3	–	–
3" (80)	B219	B219-1	B219-2	B219-2	B219-3	B219-3	–
3½" (90)	B219-1	B219-2	B219-2	B219-3	B219-3	B219-4	–
4" (100)	B219-1	B219-2	B219-2	B219-3	B219-3	B219-4	–
5" (125)	B219-1	B219-2	B219-3	B219-3	B219-4	B219-4	B219-5
6" (150)	B219-2	B219-3	B219-3	B219-4	B219-4	B219-5	B219-5
8" (200)	B219-3	B219-4	B219-4	B219-5	B219-5	–	–
10" (250)	B219-4	B219-5	–	–	–	–	–
12" (300)	B219-5	–	–	–	–	–	–

Reference page 168 for general fitting and standard finish specifications.

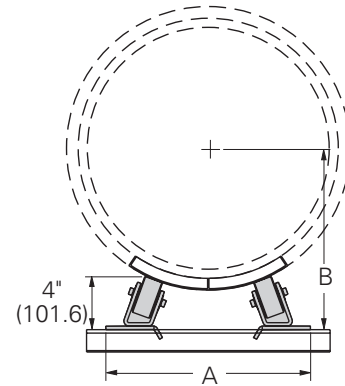
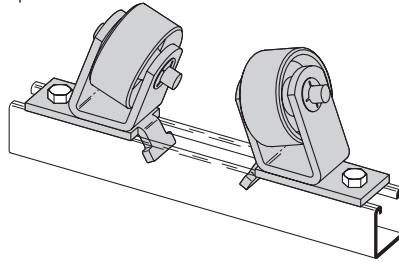


# Pipe rollers

## B379

### Pipe Rollers - 6" (150) to 18" (450) Pipe

- Design Load 1500 Lbs. (6.67 kN)
- Safety Factor of 5
- Requires field assembly
- When used with B3160 thru B3165 Saddles (see Pipe Hanger Catalog)
- Malleable iron rollers
- Sold in pairs
- Required hardware not included:  
2 pcs. 1/2"-13 x 1 1/4" Hex head cap screws  
2 pcs. 1/2"-13 Channel nuts
- Standard finish: ZN
- Wt./C 889 Lbs. (403.2 kg)



### Reference Chart - A Dimension

Pipe Size	Insulation Thickness in. (mm)						
	0" (0.0)	1" (25.4)	1 1/2" (38.1)	2" (50.8)	2 1/2" (63.5)	3" (76.2)	4" (101.6)
6" (150)	9 <sup>9</sup> / <sub>16</sub> " (242.9)	10 <sup>3</sup> / <sub>16</sub> " (258.8)	10 <sup>5</sup> / <sub>8</sub> " (269.9)	11" (279.4)	11 <sup>3</sup> / <sub>8</sub> " (288.9)	11 <sup>3</sup> / <sub>4</sub> " (298.4)	12 <sup>1</sup> / <sub>2</sub> " (317.5)
8" (200)	10 <sup>1</sup> / <sub>4</sub> " (260.3)	11 <sup>1</sup> / <sub>16</sub> " (281.0)	11 <sup>3</sup> / <sub>8</sub> " (288.9)	11 <sup>3</sup> / <sub>4</sub> " (298.4)	12 <sup>3</sup> / <sub>16</sub> " (309.6)	12 <sup>1</sup> / <sub>2</sub> " (317.5)	13 <sup>1</sup> / <sub>4</sub> " (336.5)
10" (250)	11" (279.4)	11 <sup>3</sup> / <sub>4</sub> " (298.4)	12 <sup>1</sup> / <sub>8</sub> " (308.0)	12 <sup>1</sup> / <sub>2</sub> " (317.5)	12 <sup>13</sup> / <sub>16</sub> " (325.4)	13 <sup>1</sup> / <sub>8</sub> " (333.4)	13 <sup>7</sup> / <sub>8</sub> " (352.4)
12" (300)	11 <sup>1</sup> / <sub>16</sub> " (296.9)	12 <sup>9</sup> / <sub>16</sub> " (319.1)	12 <sup>7</sup> / <sub>8</sub> " (327.0)	13 <sup>1</sup> / <sub>4</sub> " (336.5)	13 <sup>9</sup> / <sub>16</sub> " (344.5)	13 <sup>7</sup> / <sub>8</sub> " (352.4)	14 <sup>5</sup> / <sub>8</sub> " (371.5)
14" (350)	12 <sup>1</sup> / <sub>16</sub> " (306.4)	12 <sup>7</sup> / <sub>8</sub> " (327.0)	13 <sup>3</sup> / <sub>16</sub> " (335.0)	13 <sup>9</sup> / <sub>16</sub> " (344.5)	13 <sup>7</sup> / <sub>8</sub> " (352.4)	14 <sup>1</sup> / <sub>4</sub> " (361.9)	14 <sup>7</sup> / <sub>8</sub> " (377.8)
16" (400)	12 <sup>3</sup> / <sub>4</sub> " (323.8)	13 <sup>1</sup> / <sub>2</sub> " (342.9)	13 <sup>7</sup> / <sub>8</sub> " (352.4)	14 <sup>13</sup> / <sub>16</sub> " (360.4)	14 <sup>1</sup> / <sub>2</sub> " (368.3)	14 <sup>7</sup> / <sub>8</sub> " (377.8)	15 <sup>1</sup> / <sub>2</sub> " (393.7)
18" (450)	13 <sup>1</sup> / <sub>2</sub> " (342.9)	14 <sup>1</sup> / <sub>4</sub> " (361.9)	14 <sup>5</sup> / <sub>8</sub> " (371.5)	15" (381.0)	15 <sup>5</sup> / <sub>16</sub> " (388.9)	15 <sup>5</sup> / <sub>8</sub> " (396.9)	16 <sup>5</sup> / <sub>16</sub> " (414.3)

### Reference Chart - B Dimension

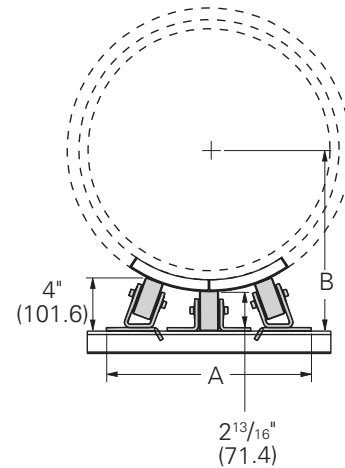
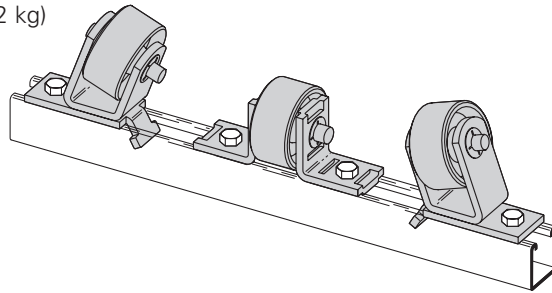
Pipe Size	Insulation Thickness in. (mm)						
	0" (0.0)	1" (25.4)	1 1/2" (38.1)	2" (50.8)	2 1/2" (63.5)	3" (76.2)	4" (101.6)
6" (150)	6 <sup>7</sup> / <sub>8</sub> " (174.6)	7 <sup>7</sup> / <sub>8</sub> " (200.0)	8 <sup>3</sup> / <sub>8</sub> " (212.7)	8 <sup>7</sup> / <sub>8</sub> " (225.4)	9 <sup>3</sup> / <sub>8</sub> " (238.1)	9 <sup>7</sup> / <sub>8</sub> " (250.8)	10 <sup>15</sup> / <sub>16</sub> " (277.8)
8" (200)	7 <sup>13</sup> / <sub>16</sub> " (198.4)	8 <sup>7</sup> / <sub>8</sub> " (225.4)	9 <sup>3</sup> / <sub>8</sub> " (238.1)	9 <sup>7</sup> / <sub>8</sub> " (250.8)	10 <sup>7</sup> / <sub>16</sub> " (265.1)	10 <sup>15</sup> / <sub>16</sub> " (277.8)	11 <sup>7</sup> / <sub>8</sub> " (301.6)
10" (250)	8 <sup>13</sup> / <sub>16</sub> " (223.8)	9 <sup>7</sup> / <sub>8</sub> " (250.8)	10 <sup>7</sup> / <sub>16</sub> " (265.1)	10 <sup>15</sup> / <sub>16</sub> " (277.8)	11 <sup>3</sup> / <sub>8</sub> " (288.9)	11 <sup>7</sup> / <sub>8</sub> " (301.6)	12 <sup>13</sup> / <sub>16</sub> " (325.4)
12" (300)	9 <sup>3</sup> / <sub>4</sub> " (247.6)	10 <sup>15</sup> / <sub>16</sub> " (277.8)	11 <sup>3</sup> / <sub>8</sub> " (288.9)	11 <sup>7</sup> / <sub>8</sub> " (301.6)	12 <sup>5</sup> / <sub>16</sub> " (312.7)	12 <sup>13</sup> / <sub>16</sub> " (325.4)	13 <sup>3</sup> / <sub>4</sub> " (349.2)
14" (350)	10 <sup>5</sup> / <sub>16</sub> " (261.9)	11 <sup>3</sup> / <sub>8</sub> " (288.9)	11 <sup>7</sup> / <sub>8</sub> " (301.6)	12 <sup>5</sup> / <sub>16</sub> " (312.7)	12 <sup>13</sup> / <sub>16</sub> " (325.4)	13 <sup>1</sup> / <sub>4</sub> " (336.5)	14 <sup>1</sup> / <sub>4</sub> " (361.9)
16" (400)	11 <sup>5</sup> / <sub>16</sub> " (287.3)	12 <sup>5</sup> / <sub>16</sub> " (312.7)	12 <sup>13</sup> / <sub>16</sub> " (325.4)	13 <sup>1</sup> / <sub>4</sub> " (336.5)	13 <sup>3</sup> / <sub>4</sub> " (349.2)	14 <sup>1</sup> / <sub>4</sub> " (361.9)	15 <sup>1</sup> / <sub>8</sub> " (384.2)
18" (450)	12 <sup>1</sup> / <sub>4</sub> " (311.1)	13 <sup>1</sup> / <sub>4</sub> " (336.5)	13 <sup>3</sup> / <sub>4</sub> " (349.2)	14 <sup>3</sup> / <sub>16</sub> " (360.4)	14 <sup>11</sup> / <sub>16</sub> " (373.1)	15 <sup>1</sup> / <sub>8</sub> " (384.2)	16 <sup>1</sup> / <sub>16</sub> " (408.0)

Reference page 168 for general fitting and standard finish specifications.

## B479

### Pipe Rollers - 16" (400) to 30" (750) Pipe

- Design Load 2000 Lbs. (8.89 kN)
- Safety Factor of 5
- Requires field assembly
- When used with B3160 thru B3165 Saddles (see Pipe Hanger Catalog)
- Malleable iron rollers
- Sold in pieces
- Required hardware not included:  
4 pcs. 1/2"-13 x 1 1/4" Hex head cap screws  
4 pcs. 1/2"-13 Channel nuts
- Standard finish: ZN
- Wt./C 889 Lbs. (403.2 kg)



#### Reference Chart - A Dimension

Pipe Size	Insulation Thickness in. (mm)						
	0" (0.0)	1" (25.4)	1 1/2" (38.1)	2" (50.8)	2 1/2" (63.5)	3" (76.2)	4" (101.6)
16" (400)	15 <sup>3</sup> / <sub>16</sub> " (385.8)	15 <sup>5</sup> / <sub>8</sub> " (396.9)	15 <sup>7</sup> / <sub>8</sub> " (403.2)	16" (406.4)	16 <sup>1</sup> / <sub>4</sub> " (412.7)	16 <sup>1</sup> / <sub>2</sub> " (419.1)	17" (431.8)
18" (450)	15 <sup>1</sup> / <sub>2</sub> " (393.7)	16" (406.4)	16 <sup>3</sup> / <sub>16</sub> " (411.2)	16 <sup>3</sup> / <sub>8</sub> " (415.9)	16 <sup>9</sup> / <sub>16</sub> " (420.7)	16 <sup>3</sup> / <sub>4</sub> " (425.4)	17 <sup>3</sup> / <sub>16</sub> " (436.6)
20" (500)	16" (406.4)	16 <sup>3</sup> / <sub>8</sub> " (415.9)	16 <sup>9</sup> / <sub>16</sub> " (420.7)	16 <sup>7</sup> / <sub>8</sub> " (428.6)	16 <sup>15</sup> / <sub>16</sub> " (430.2)	17 <sup>3</sup> / <sub>16</sub> " (436.6)	17 <sup>1</sup> / <sub>2</sub> " (444.5)
24" (600)	16 <sup>13</sup> / <sub>16</sub> " (427.0)	17 <sup>5</sup> / <sub>16</sub> " (439.7)	17 <sup>1</sup> / <sub>2</sub> " (444.5)	17 <sup>1</sup> / <sub>2</sub> " (444.5)	17 <sup>11</sup> / <sub>16</sub> " (449.3)	17 <sup>7</sup> / <sub>8</sub> " (454.0)	18 <sup>1</sup> / <sub>8</sub> " (460.4)
30" (750)	17 <sup>13</sup> / <sub>16</sub> " (452.4)	18 <sup>1</sup> / <sub>4</sub> " (463.5)	18 <sup>3</sup> / <sub>8</sub> " (466.7)	18 <sup>9</sup> / <sub>16</sub> " (471.5)	18 <sup>7</sup> / <sub>8</sub> " (476.2)	18 <sup>7</sup> / <sub>8</sub> " (479.4)	19 <sup>1</sup> / <sub>4</sub> " (488.9)

#### Reference Chart - B Dimension

Pipe Size	Insulation Thickness in. (mm)						
	0" (0.0)	1" (25.4)	1 1/2" (38.1)	2" (50.8)	2 1/2" (63.5)	3" (76.2)	4" (101.6)
16" (400)	10 <sup>13</sup> / <sub>16</sub> " (274.6)	11 <sup>15</sup> / <sub>16</sub> " (303.2)	12 <sup>3</sup> / <sub>8</sub> " (314.3)	12 <sup>15</sup> / <sub>16</sub> " (328.6)	13 <sup>3</sup> / <sub>8</sub> " (339.7)	13 <sup>15</sup> / <sub>16</sub> " (354.0)	14 <sup>15</sup> / <sub>16</sub> " (379.4)
18" (450)	11 <sup>7</sup> / <sub>8</sub> " (301.6)	12 <sup>15</sup> / <sub>16</sub> " (328.6)	13 <sup>7</sup> / <sub>16</sub> " (341.3)	13 <sup>15</sup> / <sub>16</sub> " (354.0)	14 <sup>7</sup> / <sub>16</sub> " (366.7)	14 <sup>15</sup> / <sub>16</sub> " (379.4)	15 <sup>15</sup> / <sub>16</sub> " (404.8)
20" (500)	12 <sup>3</sup> / <sub>16</sub> " (325.4)	13 <sup>15</sup> / <sub>16</sub> " (354.0)	14 <sup>7</sup> / <sub>16</sub> " (366.7)	14 <sup>7</sup> / <sub>8</sub> " (377.8)	15 <sup>7</sup> / <sub>16</sub> " (392.1)	15 <sup>7</sup> / <sub>8</sub> " (403.2)	16 <sup>15</sup> / <sub>16</sub> " (430.2)
24" (600)	14 <sup>13</sup> / <sub>16</sub> " (376.2)	15 <sup>7</sup> / <sub>8</sub> " (403.2)	16 <sup>3</sup> / <sub>8</sub> " (415.9)	16 <sup>7</sup> / <sub>8</sub> " (428.6)	17 <sup>3</sup> / <sub>8</sub> " (441.3)	17 <sup>7</sup> / <sub>8</sub> " (454.0)	18 <sup>7</sup> / <sub>8</sub> " (479.4)
30" (750)	17 <sup>13</sup> / <sub>16</sub> " (452.4)	18 <sup>7</sup> / <sub>8</sub> " (479.4)	19 <sup>3</sup> / <sub>8</sub> " (492.1)	19 <sup>7</sup> / <sub>8</sub> " (504.8)	20 <sup>3</sup> / <sub>8</sub> " (517.5)	20 <sup>9</sup> / <sub>16</sub> " (531.8)	21 <sup>15</sup> / <sub>16</sub> " (557.2)

Reference page 168 for general fitting and standard finish specifications.

# DURA-BLOK rooftop supports



Our DURA-BLOK™ products gives you a versatile and long-term solution for all your roof top support needs. Designed with flexibility in mind, DURA-BLOK is ideal for roof top support applications such as pipe, HVAC, duct, conduit, cable tray, and roof walkways.

Manufactured to provide years of service in harsh, roof top environments, DURA-BLOK is made from 100% recycled rubber, requires no supplemental rubber pads, and will not float or blow away. The 1" (25.4) gap between blocks allow water to flow freely around longer assemblies. For added strength, the DURA-BLOK support channel is through bolted on all sizes. For added visibility, a reflective strip is incorporated on both sides of each DURA-BLOK support.

Beyond product durability, DURA-BLOK helps to dampen vibration, are not sharp or abrasive and requires no roof penetration to maximize existing roof life - and roof structural and environmental integrity. DURA-BLOK is also resistant to freezing and thawing.

## Recommended Torque (In channels)

Bolt Size	1/4"-20	5/16"-18	3/8"-16	1/2"-13
Foot/Lbs.	6	11	19	50
Nm	8	15	26	68

Bolt Size	M6x1	M8 x1.25	M10 x 1.5	M12x1.75
Foot/Lbs.	9	13	27	46
Nm	12	17	36	62

## Materials & Finishes

See appropriate fitting pages.  
Alternative finishes available upon request.

## Metric

Metric dimensions are shown in parentheses.  
Unless noted, all metric dimensions are in millimeters.

# DURA-BLOK rooftop supports

## Support Bases Only

- Base only - see chart for height, width and length.
- 100% recycled rubber, UV resistant.
- Load Rating - Ultimate Uniform Load (See Chart Below)\*
- DURA-BLOK channel support is designed as an economical support for piping systems, cable tray, HVAC equipment and many other applications. The DURA-BLOK is UV resistant and suitable for any type of roofing material or other flat surfaces. Material effectively accepts screw fasteners for securing accessories.



DBM



DBP

Part No.	Height x Width x Length In. mm	Wt./Each Lbs. kg	Load Rating Lbs. kN
DBM	4" x 6" x 4.8" (101.6 x 152.4 x 121.9)	2.35 (1.07)	200 (0.89)
DBP	4" x 6" x 9.6" (101.6 x 152.4 x 243.8)	4.48 (2.03)	500 (2.22)

## DB Series - Support Bases with Channel

- Base with 1" (25.4mm) tall galvanized channel - see chart for overall height, width and length.
- 100% recycled rubber, UV resistant.
- Load Rating - Ultimate Uniform Load (See Chart Below)\*
- DURA-BLOK DB-Series channel support is designed for superior support of piping systems, cable tray, HVAC equipment, walkway systems and many other applications. The DURA-BLOK is UV resistant and suitable for installation on any type of roofing material or other flat surfaces. (For pipe straps/clamps, rollers and roller supports that can be used with these DURA-BLOK supports, see page 202)
- For sloped roofs use B634 adjustable hinge fittings (see page 118).



DB10



DB20



DB30

Part No.	Height x Width x Length In. mm	Wt./Each Lbs. kg	Load Rating Lbs. kN
DB5	5" x 6" x 4.8" (127.0 x 152.4 x 121.9)	2.75 (1.25)	200 (0.89)
DB10	5" x 6" x 9.6" (127.0 x 152.4 x 243.8)	5.28 (2.39)	500 (2.22)
DB20	5" x 6" x 20.2" (127.0 x 152.4 x 513.1)	10.63 (4.82)	1000 (4.45)
DB30	5" x 6" x 30.8" (127.0 x 152.4 x 782.3)	15.99 (7.25)	1500 (6.67)
DB40	5" x 6" x 41.4" (127.0 x 152.4 x 1051.5)	21.34 (9.68)	2000 (8.89)
DB48	5" x 6" x 52.0" (127.0 x 152.4 x 1320.8)	26.70 (12.40)	2500 (11.12)

## DB6 Series - Support Base with B12 Channel

- Base with 12 ga. (2.6mm) galvanized channel 2<sup>7</sup>/<sub>16</sub>" (61.9mm) tall - see chart for overall height, width and length.
- 100% recycled rubber, UV resistant.
- Load Rating - Ultimate Uniform Load (See Chart Below)\*
- DURA-BLOK DB-Series channel support is designed for superior support of piping systems, cable tray, HVAC equipment, walkway systems and many other applications. The DURA-BLOK is UV resistant and suitable for installation on any type of roofing material or other flat surfaces. (For pipe straps/clamps, rollers and roller supports that can be used with these DURA-BLOK supports, see page 202)
- For sloped roofs use B634 adjustable hinge fittings (see page 118).



DB610



DB620



DB630

Part No.	Height x Width x Length In. mm	Wt./Each Lbs. kg	Load Rating Lbs. kN
DB610	6 <sup>7</sup> / <sub>16</sub> " x 6" x 9.6" (163.5 x 152.4 x 243.8)	6.36 (2.88)	500 (2.22)
DB620	6 <sup>7</sup> / <sub>16</sub> " x 6" x 20.2" (163.5 x 152.4 x 513.1)	12.90 (5.85)	1000 (4.45)
DB630	6 <sup>7</sup> / <sub>16</sub> " x 6" x 30.8" (163.5 x 152.4 x 782.3)	19.45 (8.82)	1500 (6.67)
DB640	6 <sup>7</sup> / <sub>16</sub> " x 6" x 41.4" (163.5 x 152.4 x 1051.5)	26.00 (11.79)	2000 (8.89)
DB648	6 <sup>7</sup> / <sub>16</sub> " x 6" x 52.0" (163.5 x 152.4 x 1320.8)	32.55 (14.76)	2500 (11.12)

\* **General Note:** Consult roofing manufacturer or engineer for roof load capacity. The weakest point may be the insulation board beneath the rubber membrane.

DURA-BLOK Supports

Reference page 196 for general fitting and standard finish specifications.



# DURA-BLOK rooftop supports

## DB10 SERIES

### Support Bases with B22 Channel

- Two (2) bases bridged with 12 ga. (2.6mm) galvanized channel 1<sup>5</sup>/<sub>8</sub>" (41.3mm) tall - see chart for overall height, width and length.
- 100% recycled rubber, UV resistant.
- Load Rating: 1000 lbs. (4.45kN) (Uniform Load)\*
- DURA-BLOK DB10-Series channel support is designed for superior support of piping systems, cable tray, HVAC equipment, walkway systems and many other applications. The DURA-BLOK is UV resistant and suitable for installation on any type of roofing material or other flat surfaces. (For pipe straps/clamps, rollers and roller supports that can be used with these DURA-BLOK supports, see page 202)



DB10-36



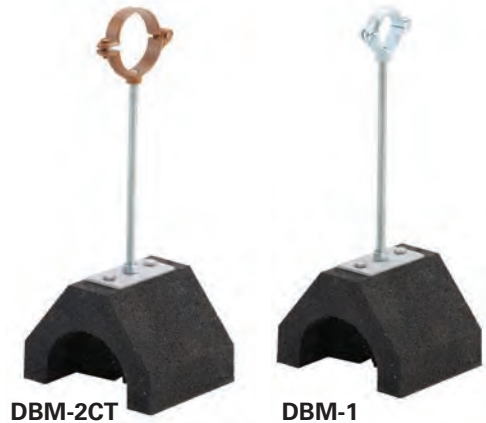
DB10-50

Part No.	Height x Width x Length In. mm	Wt./Each Lbs. kg
DB10-28	5 <sup>5</sup> / <sub>8</sub> " x 6" x 28" (142.9 x 152.4 x 711.2)	13.16 (5.97)
DB10-36	5 <sup>5</sup> / <sub>8</sub> " x 6" x 36" (142.9 x 152.4 x 914.4)	14.36 (6.51)
DB10-42	5 <sup>5</sup> / <sub>8</sub> " x 6" x 42" (142.9 x 152.4 x 1066.8)	15.52 (7.04)
DB10-50	5 <sup>5</sup> / <sub>8</sub> " x 6" x 50" (142.9 x 152.4 x 1270.0)	16.45 (7.46)
DB10-60	5 <sup>5</sup> / <sub>8</sub> " x 6" x 60" (142.9 x 152.4 x 1524.0)	17.94 (8.14)

## DBM SERIES

### Support Base with Riser Rod & Clamp

- Base with 3/8"-16 threaded rod and B3198H clamp - see chart for height, width and length
- 100% recycled rubber, UV resistant.
- Load Rating 50 lbs. (0.22kN) (Ultimate Load)\*
- DURA-BLOK DBM-Series pipe/tubing support is designed for support of single piping systems where elevation adjustment is needed. The DURA-BLOK is UV resistant and suitable for installation on any type of roofing material or other flat surfaces.



DBM-2CT

DBM-1

Part No.	Clamp Part No.†	Block -Height x Width x Length In. mm	Height** Min.-Max. In. mm	Wt./Each Lbs. kg
DBM-1/2CT	B3198HCT-1/2	4" x 6" x 4.8" (101.6 x 152.4 x 121.9)	9.69"-11.19" (246.1-284.2)	2.75 (1.25)
DBM-3/4CT	B3198HCT-3/4	4" x 6" x 4.8" (101.6 x 152.4 x 121.9)	9.84"-11.34" (249.9-288.0)	2.76 (1.25)
DBM-1CT	B3198HCT-1	4" x 6" x 4.8" (101.6 x 152.4 x 121.9)	9.95"-11.45" (252.7-290.8)	2.84 (1.29)
DBM-1 1/4CT	B3198HCT-1 1/4	4" x 6" x 4.8" (101.6 x 152.4 x 121.9)	10.13"-11.63" (257.3-295.4)	2.95 (1.34)
DBM-1 1/2CT	B3198HCT-1 1/2	4" x 6" x 4.8" (101.6 x 152.4 x 121.9)	10.28"-11.78" (261.1-299.2)	2.96 (1.34)
DBM-2CT	B3198HCT-2	4" x 6" x 4.8" (101.6 x 152.4 x 121.9)	10.53"-12.03" (267.4-305.5)	3.03 (1.37)
DBM-1/2	B3198H-1/2	4" x 6" x 4.8" (101.6 x 152.4 x 121.9)	9.86"-11.36" (250.4-288.5)	2.78 (1.26)
DBM-3/4	B3198H-3/4	4" x 6" x 4.8" (101.6 x 152.4 x 121.9)	10.06"-11.56" (255.5-293.6)	2.84 (1.29)
DBM-1	B3198H-1	4" x 6" x 4.8" (101.6 x 152.4 x 121.9)	10.14"-11.64" (257.5-295.6)	2.86 (1.30)
DBM-1 1/4	B3198H-1 1/4	4" x 6" x 4.8" (101.6 x 152.4 x 121.9)	10.25"-11.75" (260.3-298.4)	2.93 (1.33)
DBM-1 1/2	B3198H-1 1/2	4" x 6" x 4.8" (101.6 x 152.4 x 121.9)	10.42"-11.92" (264.6-302.7)	2.99 (1.36)
DBM-2	B3198H-2	4" x 6" x 4.8" (101.6 x 152.4 x 121.9)	10.66"-12.16" (270.7-308.8)	3.10 (1.41)

† See Pipe Hanger Catalog for dimensions and specifications. \*\* From bottom of rubber block to center of pipe/tubing.

\* **General Note:** Consult roofing manufacturer or engineer for roof load capacity. The weakest point may be the insulation board beneath the rubber membrane.

Reference page 196 for general fitting and standard finish specifications.

# DURA-BLOK rooftop supports

## DBE Series

### Support Base with Rod Risers & Channel



- Base with (2) 1/2" electro zinc all threaded rod risers - Top channel is 1" (25.4mm) tall. See chart for adjustable height x wide x length.
- 100% recycled rubber, UV resistant.
- Load Rating\* 200 lbs. (0.89kN) (To increase load capacity use load distribution plate CLDP10)
- DURA-BLOK DBE-Series channel support is designed as a superior support of piping systems, cable tray, HVAC equipment and many other applications where elevation adjustment is critical. The DURA-BLOK is UV resistant and suitable for installation on any type of roofing material or other flat surfaces. (For pipe straps/clamps, rollers and roller supports that can be used with these DURA-BLOK supports, see page 202)



Part No.	Adjustable Height x Width x Length In. mm	Wt./Each Lbs. kg
DBE10-8	5 1/2-8" x 6" x 9.6" (139.7-152.4 x 152.4 x 243.8)	5.68 (2.58)
DBE10-12	5 1/2-12" x 6" x 9.6" (139.7-304.8 x 152.4 x 243.8)	5.72 (2.59)
DBE10-16	5 1/2-16" x 6" x 9.6" (139.7-406.4 x 152.4 x 243.8)	5.76 (2.61)

## DBR Series

### Support Base with Rod Risers & Pipe Roll



- Base with (2) 1/2" electro zinc all threaded rod risers and a B3114-3 1/2 pipe roll with sockets - base is 4" (101.6mm) high x 6" (152.4mm) wide x 9.6" (243.8mm) long. Overall height is 12" (304.8mm) from bottom of base to contact point on roller.
- Pipe roll & sockets for up to 3 1/2" (90) pipe sizes.
- 100% recycled rubber, UV resistant.
- Load Rating\* 200 lbs. (0.89kN) (To increase load capacity use load distribution plate CLDP10)
- DURA-BLOK DBR-Series support is designed to support pipe up to 3 1/2" (90) nominal size where difference in elevation is required and longitudinal movement is expected. The DURA-BLOK is UV resistant and approved for installation on any type of roofing material or other flat surfaces.



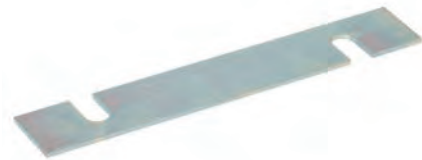
Part No.	Adjustable Height x Width x Length In. mm	Wt./Each Lbs. kg
DBR10-12	up to 12" x 6" x 9.6" (up to 304.8 x 152.4 x 243.8)	8.20 (3.72)

## CLDP10

### Load Distribution Plate

- 11 ga. (3.0mm) steel plate with slots.
- Dimensions: 1 5/8" (41.3mm) wide x 9 1/2" (241.3mm) long.
- DURA-BLOK CLDP10 load bearing stabilizer plate increases load ratings for DBE Series and DBR Series by allowing the load from the threaded rods to be distributed over the length of the base instead of the point load where the rods attach to the base.

Part No.	Thickness x Width x Length In. mm	Wt./Each Lbs. kg
CLDP10	11 Ga. x 1 5/8" x 9 1/2" (3.0 x 41.3 x 241.3)	0.53 (0.24)



Loosen hex nuts and slide plate under the flat washers

Retighten the hex nuts with plate in place



DURA-BLOK Supports

\* **General Note:** Consult roofing manufacturer or engineer for roof load capacity. The weakest point may be the insulation board beneath the rubber membrane.

Reference page 196 for general fitting and standard finish specifications.



# DURA-BLOK rooftop supports

## DB\_DS Series Support Bases with B22SH Vertical & Horizontal Channel Members

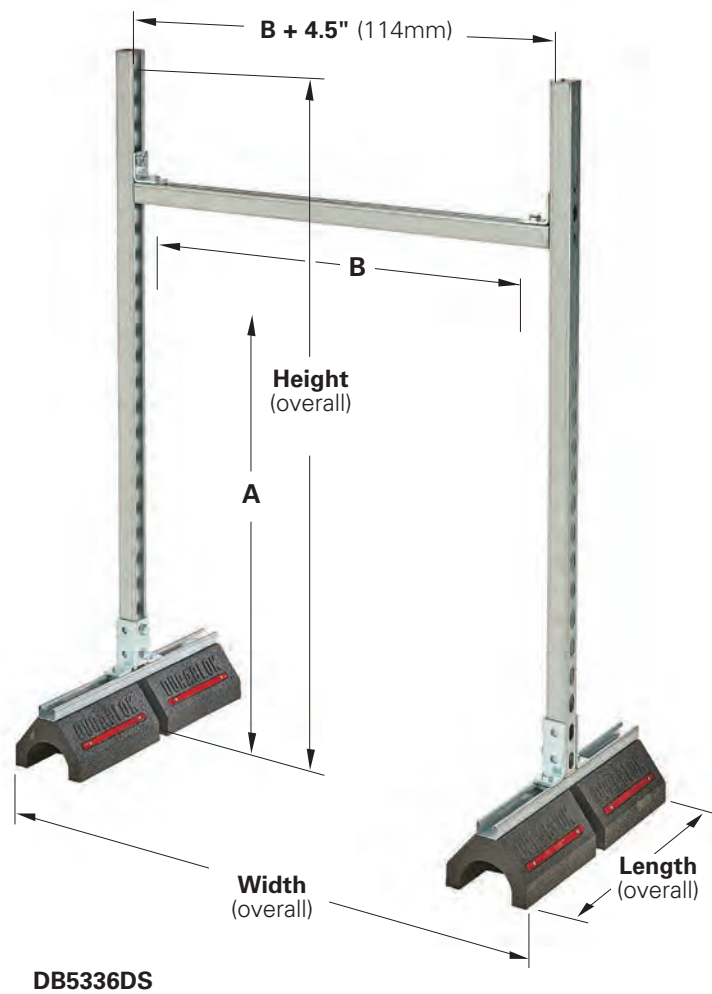
- Product is shipped unassembled.
- Two (2) DB20 bases with 1" (25.4mm) tall galvanized channel - Bases are 5" (127.0mm) high x 6" (152.4mm) wide x 20.2" (513.1mm) long. Vertical & Horizontal Riser Channels (SH Style) - 1<sup>5</sup>/<sub>8</sub>" (41.3mm) x 1<sup>5</sup>/<sub>8</sub>" (41.3mm) x 12 ga. (2.6mm) Fittings & Hardware - Electro-Plated Steel
- 100% recycled rubber, UV resistant.
- Ultimate Load Rating: 1000 lbs. (4.45kN) (Uniform Load)\*
- DURA-BLOK DB\_DS-Series channel support with risers is designed for superior support of piping systems, cable tray, HVAC equipment, walkway systems and many other applications. The DURA-BLOK is UV resistant and suitable for installation on any type of roofing material or other flat surfaces. (For pipe straps/clamps, rollers and roller supports that can be used with these DURA-BLOK supports, see page 202)



DB2318DS



DB2924DS



DB5336DS

\* **General Note:** Consult roofing manufacturer or engineer for roof load capacity. The weakest point may be the insulation board beneath the rubber membrane.

Reference page 196 for general fitting and standard finish specifications.

# DURA-BLOK rooftop supports

DB\_DS Series cont.

Part No.	A Min. to Max.		B	
	In.	mm	In.	mm
<b>DB2318DS</b>	10.56"	20.75" (268 to 527)	13 <sup>1</sup> / <sub>2</sub> "	(343)
<b>DB2918DS</b>	10.56"	26.75" (268 to 679)	13 <sup>1</sup> / <sub>2</sub> "	(343)
<b>DB4118DS</b>	10.56"	38.75" (268 to 984)	13 <sup>1</sup> / <sub>2</sub> "	(343)
<b>DB5318DS</b>	10.56"	50.75" (268 to 1289)	13 <sup>1</sup> / <sub>2</sub> "	(343)
<b>DB2324DS</b>	10.56"	20.75" (268 to 527)	19 <sup>1</sup> / <sub>2</sub> "	(495)
<b>DB2924DS</b>	10.56"	26.75" (268 to 679)	19 <sup>1</sup> / <sub>2</sub> "	(495)
<b>DB4124DS</b>	10.56"	38.75" (268 to 984)	19 <sup>1</sup> / <sub>2</sub> "	(495)
<b>DB5324DS</b>	10.56"	50.75" (268 to 1289)	19 <sup>1</sup> / <sub>2</sub> "	(495)
<b>DB2336DS</b>	10.56"	20.75" (268 to 527)	31 <sup>1</sup> / <sub>2</sub> "	(800)
<b>DB2936DS</b>	10.56"	26.75" (268 to 679)	31 <sup>1</sup> / <sub>2</sub> "	(800)
<b>DB4136DS</b>	10.56"	38.75" (268 to 984)	31 <sup>1</sup> / <sub>2</sub> "	(800)
<b>DB5336DS</b>	10.56"	50.75" (268 to 1289)	31 <sup>1</sup> / <sub>2</sub> "	(800)
<b>DB2348DS</b>	10.56"	20.75" (268 to 527)	43 <sup>1</sup> / <sub>2</sub> "	(1105)
<b>DB2948DS</b>	10.56"	26.75" (268 to 679)	43 <sup>1</sup> / <sub>2</sub> "	(1105)
<b>DB4148DS</b>	10.56"	38.75" (268 to 984)	43 <sup>1</sup> / <sub>2</sub> "	(1105)
<b>DB5348DS</b>	10.56"	50.75" (268 to 1289)	43 <sup>1</sup> / <sub>2</sub> "	(1105)

Part No.	Height (overall)		Width (overall)		Length (overall)		Wt./Each	
	In.	mm	In.	mm	In.	mm	lbs.	kg
<b>DB2318DS</b>	23"	(584)	25 <sup>5</sup> / <sub>8</sub> "	(651)	20.2"	(513)	33.31	(15.11)
<b>DB2918DS</b>	29"	(736)	25 <sup>5</sup> / <sub>8</sub> "	(651)	20.2"	(513)	35.00	(15.88)
<b>DB4118DS</b>	41"	(1041)	25 <sup>5</sup> / <sub>8</sub> "	(651)	20.2"	(513)	38.40	(17.42)
<b>DB5318DS</b>	53"	(1346)	25 <sup>5</sup> / <sub>8</sub> "	(651)	20.2"	(513)	41.80	(18.96)
<b>DB2324DS</b>	23"	(584)	31 <sup>5</sup> / <sub>8</sub> "	(803)	20.2"	(513)	34.15	(15.49)
<b>DB2924DS</b>	29"	(736)	31 <sup>5</sup> / <sub>8</sub> "	(803)	20.2"	(513)	35.84	(16.26)
<b>DB4124DS</b>	41"	(1041)	31 <sup>5</sup> / <sub>8</sub> "	(803)	20.2"	(513)	39.25	(17.80)
<b>DB5324DS</b>	53"	(1346)	31 <sup>5</sup> / <sub>8</sub> "	(803)	20.2"	(513)	42.65	(19.34)
<b>DB2336DS</b>	23"	(584)	43 <sup>5</sup> / <sub>8</sub> "	(1108)	20.2"	(513)	35.84	(16.26)
<b>DB2936DS</b>	29"	(736)	43 <sup>5</sup> / <sub>8</sub> "	(1108)	20.2"	(513)	37.56	(17.03)
<b>DB4136DS</b>	41"	(1041)	43 <sup>5</sup> / <sub>8</sub> "	(1108)	20.2"	(513)	40.95	(18.57)
<b>DB5336DS</b>	53"	(1346)	43 <sup>5</sup> / <sub>8</sub> "	(1108)	20.2"	(513)	44.34	(20.11)
<b>DB2348DS</b>	23"	(584)	55 <sup>5</sup> / <sub>8</sub> "	(1415)	20.2"	(513)	37.55	(17.03)
<b>DB2948DS</b>	29"	(736)	55 <sup>5</sup> / <sub>8</sub> "	(1415)	20.2"	(513)	39.25	(17.80)
<b>DB4148DS</b>	41"	(1041)	55 <sup>5</sup> / <sub>8</sub> "	(1415)	20.2"	(513)	42.65	(19.34)
<b>DB5348DS</b>	53"	(1346)	55 <sup>5</sup> / <sub>8</sub> "	(1415)	20.2"	(513)	46.03	(20.88)

A = Adjustable height from bottom of DURA-BLOK to top of horizontal channel.  
 B = Space between fittings that support horizontal channel.  
 Height (overall) = Distance from bottom of DURA-BLOK to top of upright channel.  
 Width (overall) = Distance from outside-to-outside of DURA-BLOK supports.  
 Length (overall) = Distance from end-to-end of DURA-BLOK supports.

Reference page 196 for general fitting and standard finish specifications.

# DURA-BLOK rooftop supports

## DBR Series

### Support Bases with Channel & Pipe Roller

- Base with 1" (25.4mm) tall galvanized channel - see chart for overall height, width and length.
- 100% recycled rubber, UV resistant.
- Load Rating: (See Chart Below)\*
- DURA-BLOK DBR-Series support is designed to support pipe where longitudinal movement is expected. The DURA-BLOK is UV resistant and approved for installation on any type of roofing material or other flat surfaces.



DBR4-6

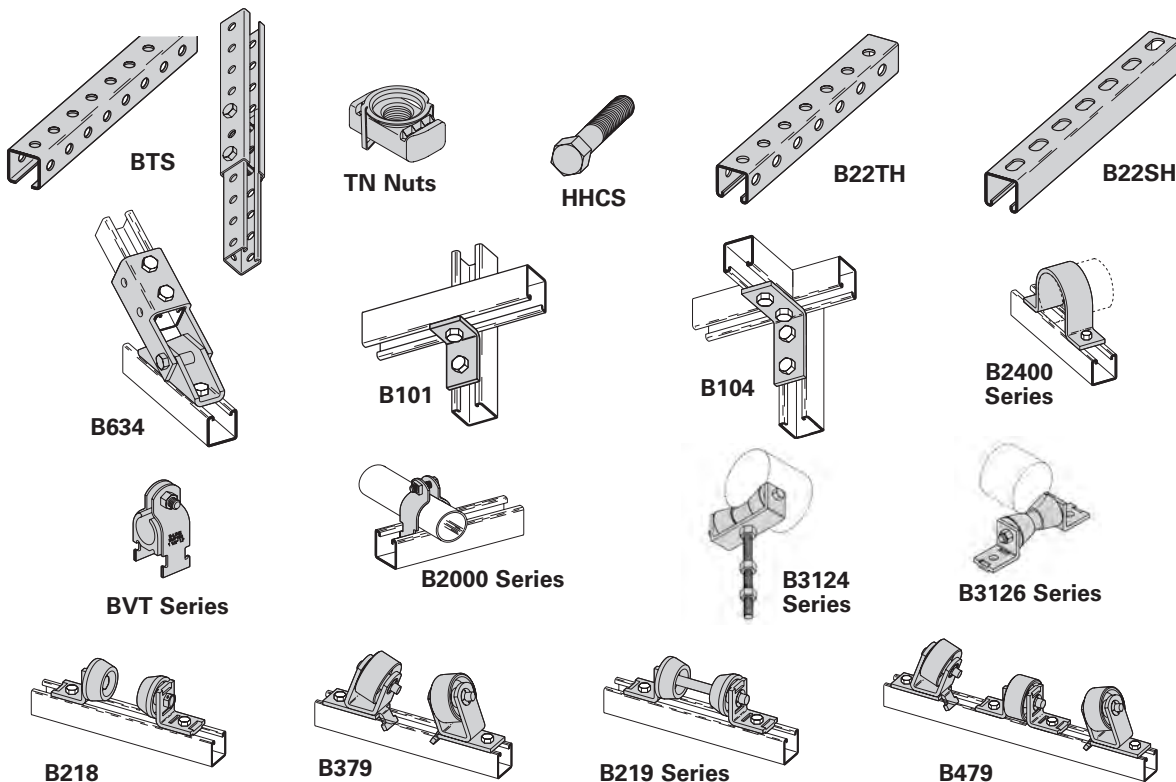


DBR16-20

Part No.	Roller Part No.†	Block & Channel -Height x Width x Length In. mm	Height**		Wt./Each		Load Rating	
			In.	mm	Lbs.	kg	Lbs.	kN
<b>DBR2-3<sup>1</sup>/<sub>2</sub></b>	B3126-2 to 3 <sup>1</sup> / <sub>2</sub>	5" x 6" x 9.6" (127.0 x 152.4 x 243.8)	7.09"	(180)	5.28	(2.39)	500	(2.22)
<b>DBR4-6</b>	B3126-4 to 6	5" x 6" x 9.6" (127.0 x 152.4 x 243.8)	7.09"	(180)	10.63	(4.82)	500	(2.22)
<b>DBR8-10</b>	B3126-8-10	5" x 6" x 20.2" (127.0 x 152.4 x 513.1)	8.34"	(212)	15.99	(7.25)	1000	(4.45)
<b>DBR12-14</b>	B3126-12-14	5" x 6" x 20.2" (127.0 x 152.4 x 513.1)	9.38"	(238)	21.34	(9.68)	1000	(4.45)
<b>DBR16-20</b>	B3126-16-20	5" x 6" x 20.2" (127.0 x 152.4 x 513.1)	9.78"	(248)	26.70	(12.11)	1000	(4.45)

† See Pipe Hanger Catalog for dimensions and specifications. \*\* From bottom of rubber block to bottom of pipe/tubing.

### Compatible Components Available to make DURA-BLOK bases more versatile



Above rollers can be mounted on DB Series, DB6 Series, and DB10 Series units.

Reference page 196 for general fitting and standard finish specifications.



# DURA-BLOK rooftop supports

## GRATEWALK Rooftop Walkway with Integrated DURA-BLOK Supports

B-Line series GRATEWALK™ Rooftop Walkways with DURA-BLOK™ supports provide the optimal solution to extend the life of your roof, while providing a safe pathway to roof mounted support equipment.



### Features & Benefits of the GRATEWALK Rooftop Walkway

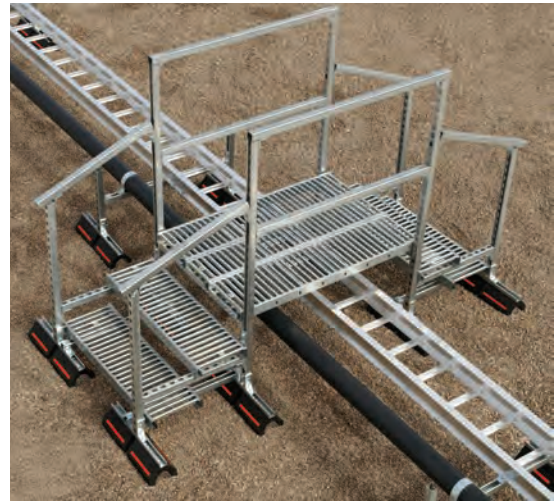
- Available with slip resistant GRATE-LOCK, helping provide a safe walkway for foot traffic on the roof.
- Easy to install, elevated design, creates an identifiable path for foot traffic helping prevent wear and tear to the roof surface.
- The cross-over design offers safe passage over existing cabling, piping, cable tray or any other interference on the rooftop.
- The self cleaning pattern allows water and dirt to easily flow through, helping make the grating an ideal walkway in all weather conditions.
- Handrail options are available
- Integrated with 100% post-consumer recycled rubber supporting LEED credit qualification.
- Provide solid support for the walkway that stays in place and replaces the need for separate rubber roof mounting pads which tend to float away.

## GRATEWALK Rooftop Walkway with Integrated DURA-BLOK Supports

The GRATEWALK Rooftop Walkway with Integrated DURA-BLOK Supports\* is available in a variety of configurations.

- Straight sections for long straight stretches of pathway
- Cross-over options to install over the existing cable trays, piping, and more
- Stairways over the top of existing equipment or leading up to existing equipment
- Handrail options available for additional walkway safety and support
- Platforms to provide access to rooftop mounted equipment
- Accessories available to support unique requirements

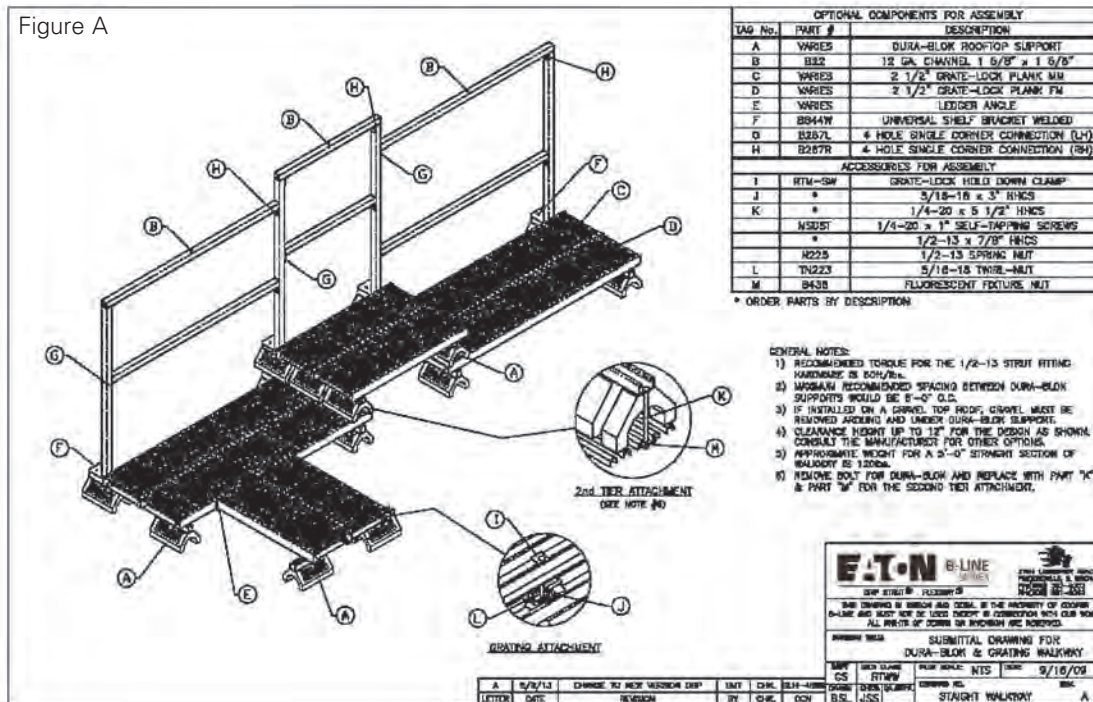
\* All Items are shipped individually for field assembly.



### Engineering Design Service

- Take-off and estimating
- Specification review and development
- Alternative layout designs
- Technical consultation
- Submittal drawing packages (see Figure A) including assembly instructions

Figure A



DURA-BLOK Supports



# Electrical accessories



A complete system of top quality, time saving products, designed for surface metal raceways, lighting and cable supports. Innovative designs offer many installation advantages. The surface raceways are U.L. listed and meet the requirements of the National Electrical Code, Article 384.

## Surface Raceways

Our channel provides structural support in addition to a raceway system.

For U.L. wire fill see chart on page 278-279.

## Cable Supports

A full range of clamps and saddles are offered in porcelain and thermoplastic elastomer. Our Insulclamp™ cable clamps and porcelain saddles are furnished complete with steel clamps (electro-plated) and Everdur hardware where required.

## Materials & Finishes\*

Steel products are made from low carbon steel strips or plates. Porcelain saddles and clamps are made by dry process and white glazed (porcelain dielectric strength is 50 volts per mil).

\*Unless otherwise noted.

Finish Code	Finish	Specification
PLN	Plain	ASTM A1011 33,000 PSI min. yield
ZN	Electro-Plated Zinc	ASTM B633 SC3 Type III
GRN	DURA GREEN	
GALV	Pre-Galvanized	ASTM A653
YZN	Yellow Zinc Chromate	ASTM B633 SC3 Type II

## Design Load

Design load data published includes a Safety Factor of 3.0 (Safety Factor = Ratio of ultimate load to the design load).

U.L. listed raceway channels:

B11, B11KO6	B32, B32KO6
B12, B12KO6	B42, B42KO6
B22, B22KO6	B52, B52KO6
B24, B24KO6	B54, B54KO6
B26, B26KO6	B56, B56KO6

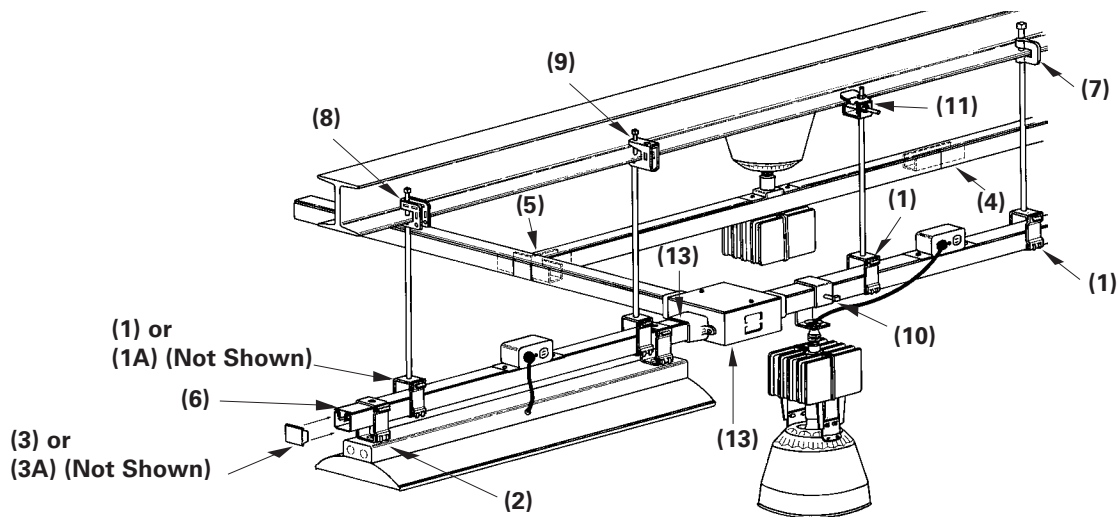
U.L. File No. E29637

In all cases, the snap-in closure strip is required to complete raceway enclosure.

## Metric

Metric dimensions are shown in parentheses. Unless noted, all metric dimensions are in millimeters.





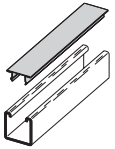
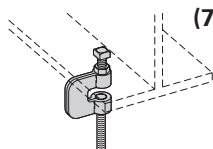
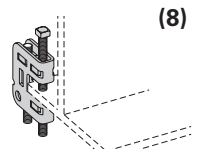
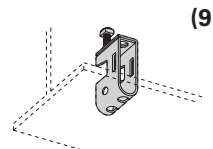
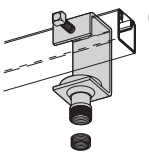
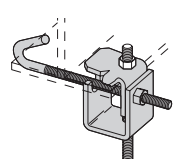
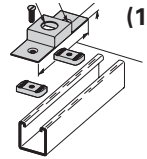
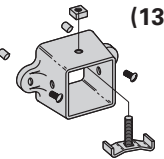
Selection Chart

Channel Number	Depth in. mm	1 Channel Hanger	1A Channel Hanger	2 Fixture Hanger	3 End Cap	3A Connection End Cap	4 Internal Straight Splice	5 Internal Tee Splice
<b>B22A</b>	3 1/4" (82.5)	B616-22A*	B241S*	B616S-22A*	B205 or B285	B392-22**	B766-22 (2) B285	B768-22 (2)
<b>B11</b>	3 1/4" (82.5)	B616-22A*	B241S*	B616S-22A*	B222	B392-11**	B766-11	B768-11
<b>B12</b>	2 7/16" (61.9)	B616-22A*	B241S*	B616S-22A*	B221	B392-12**	B766-12	B768-12
<b>B22</b> <b>B24</b>	1 5/8" (41.3)	B616*	B216S*	B616S* B616TG*	B205 or B285 B223 or B286	B392-22**	B766-22	B768-22
<b>B32</b>	1 3/8" (34.9)	B616*	B216S*	B616S* B616TG*	B206	B392-32**	B766-32	B768-32
<b>B42</b>	1" (25.4)	B616*	B215S*	B616S* B616TG*	B203	-	B766-42	B768-42
<b>B52</b> <b>B54</b>	1 3/16" (20.6)	B616*	B215S*	B616S* B616TG*	B220 or B283 B204 or B284	-	B766-52	B768-52

\*Specify Hanger Rod or Conduit Size.

\*\*Specify Conduit Size

Other Items Shown on Illustration

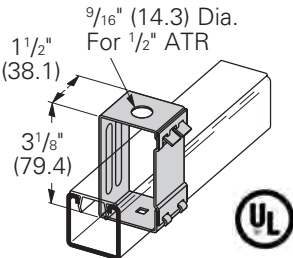
<b>B217-20</b>  Snap-in Closure Strip	(6)	<b>B351L</b>  Beam Clamp	(7)	<b>B755</b>  Beam Clamp	(8)	<b>B751</b>  Beam Clamp	(9)
<b>B465</b>  H.I.D. Fixture Hanger	(10)	<b>B750</b>  Beam Clamp	(11)	<b>B447</b> <b>B447A</b>  Conduit Connection Plate	(12)	<b>B719</b>  718 Series Junction Box	(13)

Reference page 206 for general fitting and standard finish specifications. U.L. Wire Fill Chart on pages 272 - 273.

# Fluorescent fixture hangers

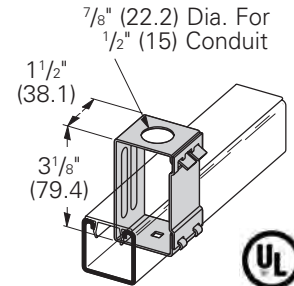
## B616-9/16 Channel Hanger

- Design Load 250 Lbs. (1.11 kN)
- Safety Factor of 3
- Maximum design load 50 Lbs. (.22 kN) when used as a fixture support
- Includes:  
2 pcs.  $\frac{3}{8}$ " Flat washers for use with  $\frac{3}{8}$ " ATR
- Material: 16 gauge (1.5)
- Standard finish: ZN
- Wt./C 25 Lbs. (11.3 kg)



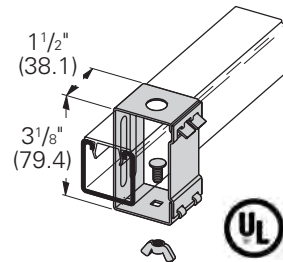
## B616-7/8 Channel Hanger

- Design Load 250 Lbs. (1.11 kN)
- Safety Factor of 3
- Maximum design load 50 Lbs. (.22 kN) when used as a fixture support
- Material: 16 gauge (1.5)
- Standard finish: ZN
- Wt./C 25 Lbs. (11.3 kg)



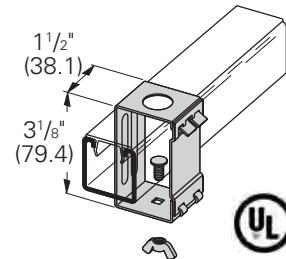
## B616S-9/16 Fluorescent Fixture Hanger with Stud

- Design Load 150 Lbs. (.67 kN)
- Safety Factor of 3
- Maximum design load 50 Lbs. (.22 kN) when used as a fixture support
- Allows more than  $\frac{1}{2}$ " (12.7) space between channel and fixture
- Includes:  
2 pcs.  $\frac{3}{8}$ " Flat washers for use with  $\frac{3}{8}$ " ATR
- Material: 16 gauge (1.5)
- Standard finish: ZN
- Wt./C 30 Lbs. (13.6 kg)



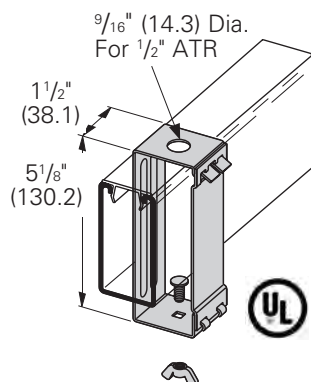
## B616S-7/8 Fluorescent Fixture Hanger with Stud

- Design Load 150 Lbs. (.67 kN)
- Safety Factor of 3
- Maximum design load 50 Lbs. (.22 kN) when used as a fixture support
- Allows more than  $\frac{1}{2}$ " (12.7) space between channel and fixture
- Standard finish: ZN
- Material: 16 gauge (1.5)
- Wt./C 30 Lbs. (13.6 kg)



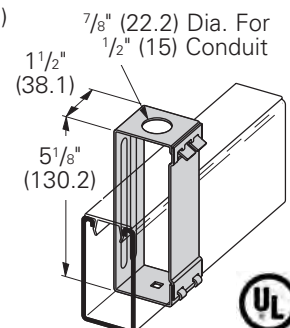
## B616-22A-9/16 Channel Hanger

- Design Load 250 Lbs. (1.11 kN)
- Safety Factor of 3
- Maximum design load 50 Lbs. (.22 kN) when used as a fixture support
- Includes:  
2 pcs.  $\frac{3}{8}$ " Flat washers for use with  $\frac{3}{8}$ " ATR
- Material: 14 gauge (1.9)
- Standard finish: ZN
- Wt./C 44 Lbs. (19.9 kg)



## B616-22A-7/8 Channel Hanger

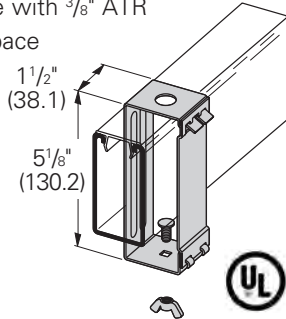
- Design Load 250 Lbs. (1.11 kN)
- Safety Factor of 3
- Maximum design load 50 Lbs. (.22 kN) when used as a fixture support
- Material: 14 gauge (1.9)
- Standard finish: ZN
- Wt./C 44 Lbs. (19.9 kg)



# Fluorescent fixture hangers

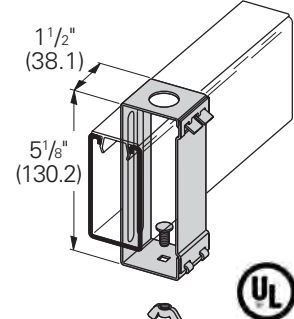
## B616S-22A-9/16 Fluorescent Fixture Hanger with Stud

- Design Load 150 Lbs. (.67 kN)
- Safety Factor of 3
- Maximum design load 50 Lbs. (.22 kN) when used as a fixture support
- Includes:  
2 pcs.  $\frac{3}{8}$ " Flat washers for use with  $\frac{3}{8}$ " ATR
- Allows more than  $\frac{1}{2}$ " (12.7) space between channel and fixture
- Material: 14 gauge (1.9)
- Standard finish: ZN
- Wt./C 49 Lbs. (22.2 kg)



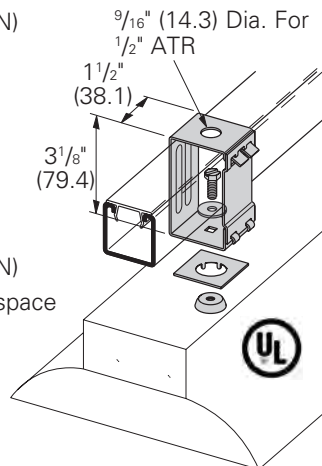
## B616S-22A-7/8 Fluorescent Fixture Hanger with Stud

- Design Load 150 Lbs. (.67 kN)
- Safety Factor of 3
- Maximum design load 50 Lbs. (.22 kN) when used as a fixture support
- Allows more than  $\frac{1}{2}$ " (12.7) space between channel and fixture
- Material: 14 gauge (1.9)
- Standard finish: ZN
- Wt./C 49 Lbs. (22.2 kg)



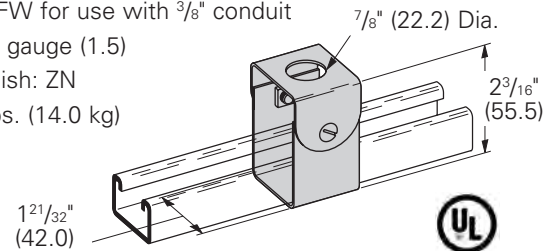
## B616TG-9/16 Fluorescent Fixture Hanger for 1/2" (15) Knockout

- Design Load 150 Lbs. (.67 kN)
- Safety Factor of 3
- Maximum design load 50 Lbs. (.22 kN) when used as a fixture support
- Includes:  
2 pcs.  $\frac{3}{8}$ " Flat washers for use with  $\frac{3}{8}$ " ATR
- Design Load 150 Lbs. (.67 kN)
- Allows more than  $\frac{1}{2}$ " (12.7) space between channel and fixture
- Material: 16 gauge (1.5)
- Standard finish: ZN
- Wt./C 32 Lbs. (14.5 kg)



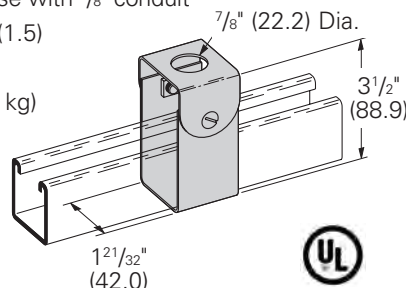
## B215S Channel Hanger

- Can be used with  $\frac{3}{8}$ " &  $\frac{1}{2}$ " threaded rod or  $\frac{3}{8}$ " &  $\frac{1}{2}$ " conduit
- Design Load 250 Lbs. (1.11 kN)
- Safety Factor of 3
- For use with B42, B52, & B54 channels
- Hardware included:  
One (1)  $\frac{3}{8}$ " x  $1\frac{1}{2}$ " FFW for use with  $\frac{3}{8}$ "-16 ATR  
One (1)  $\frac{1}{2}$ " FW for use with  $\frac{1}{2}$ "-13 ATR  
One (1)  $\frac{5}{8}$ " FW for use with  $\frac{3}{8}$ " conduit
- Material: 16 gauge (1.5)
- Standard finish: ZN
- Wt./C 31 Lbs. (14.0 kg)



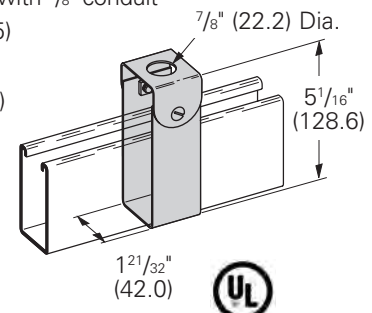
## B216S Channel Hanger

- Can be used with  $\frac{3}{8}$ " &  $\frac{1}{2}$ " threaded rod or  $\frac{3}{8}$ " &  $\frac{1}{2}$ " conduit
- Design Load 250 Lbs. (1.11 kN)
- Safety Factor of 3
- For use with B22, B24, & B32 channels
- Hardware included:  
One (1)  $\frac{3}{8}$ " x  $1\frac{1}{2}$ " FFW for use with  $\frac{3}{8}$ "-16 ATR  
One (1)  $\frac{1}{2}$ " FW for use with  $\frac{1}{2}$ "-13 ATR  
One (1)  $\frac{5}{8}$ " FW for use with  $\frac{3}{8}$ " conduit
- Material: 16 gauge (1.5)
- Standard finish: ZN
- Wt./C 38 Lbs. (17.2 kg)



## B241S Channel Hanger

- Can be used with  $\frac{3}{8}$ " &  $\frac{1}{2}$ " threaded rod or  $\frac{3}{8}$ " &  $\frac{1}{2}$ " conduit
- Design Load 250 Lbs. (1.11 kN)
- Safety Factor of 3
- For use with B11 & B12 channels
- Hardware included:  
One (1)  $\frac{3}{8}$ " x  $1\frac{1}{2}$ " FFW for use with  $\frac{3}{8}$ "-16 ATR  
One (1)  $\frac{1}{2}$ " FW for use with  $\frac{1}{2}$ "-13 ATR  
One (1)  $\frac{5}{8}$ " FW for use with  $\frac{3}{8}$ " conduit
- Material: 16 gauge (1.5)
- Standard finish: ZN
- Wt./C 47 Lbs. (21.3 kg)

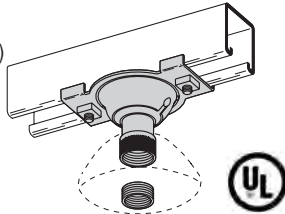


Reference page 206 for general fitting and standard finish specifications. U.L. Wire Fill Chart on pages 272 - 273.

# Fluorescent fixture hangers

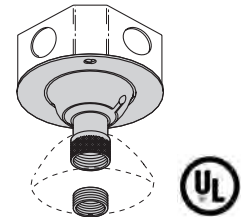
## B390S 360° Swivel Channel Connector

- Design Load 250 Lbs. (1.11 kN)
- Safety Factor of 3
- Maximum design load 50 Lbs. (.22 kN) when used as a fixture support
- Swings 15° in 360° plane
- Includes:  
2 pcs. SN224-3/4" WO Stud nut 2 pcs. 1/4"-20 Square nut 1 pc. 3/4" (20) to 1/2" (15) Conduit Reducer
- Standard finish: ZN
- Wt./C 71 Lbs. (32.2 kg)



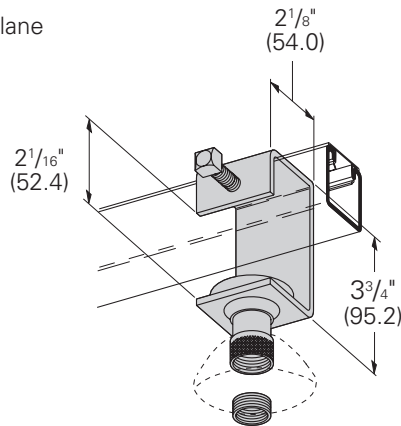
## B390BX 360° Swivel Box Connector

- Design Load 250 Lbs. (1.11 kN) for connector fitting only
- Safety Factor of 3
- Design Load 50 Lbs. (.22 kN) when used as illustrated or for use as a fixture support
- Swings 15° in 360° plane
- Includes:  
1 pc. 3/4" (20) to 1/2" (15) Conduit reducer
- Fits on 4" box
- Standard finish: ZN
- Wt./C 55 Lbs. (24.9 kg)



## B465 H.I.D. Fixture Hanger

- Design Load 250 Lbs. (1.11 kN)
- Safety Factor of 3
- Swings 15° in 360° plane
- Includes:  
1 pc. 3/4" (20) to 1/2" (15) Conduit reducer
- Standard finish: ZN
- Wt./C 95 Lbs. (43.1 kg)



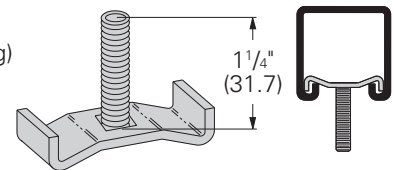
## B436 Fluorescent Fixture Nut

- Standard finish: ZN
- Wt./C 2 Lbs. (.9 kg)



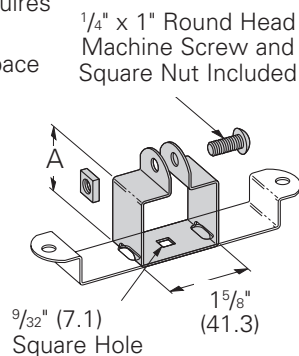
## B436S Fluorescent Fixture Stud Nut

- Bolt size: 1/4" x 1 1/4"
- Standard finish: ZN
- Wt./C 4 Lbs. (1.8 kg)
- Design Load 250 Lbs. (1.11 kN)
- Safety Factor of 3



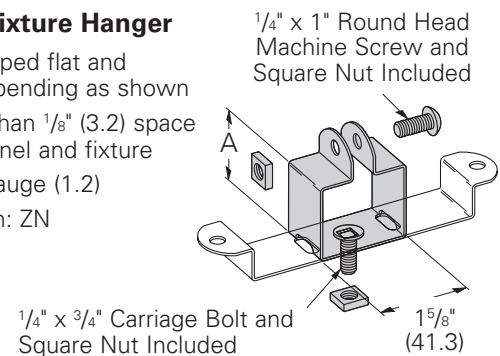
## B460 Fluorescent Fixture Hanger

- Hanger is shipped flat and requires field bending as shown
- Allows more than 1/2" (12.7) space between channel and fixture
- Material: 18 gauge (1.2)
- Standard finish: ZN



## B464 Fluorescent Fixture Hanger

- Hanger is shipped flat and requires field bending as shown
- Allows more than 1/8" (3.2) space between channel and fixture
- Material: 18 gauge (1.2)
- Standard finish: ZN

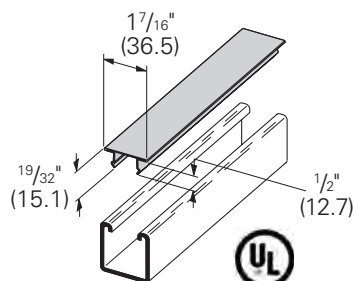


Part No.	For Channel Size	A		Wt./C	
		In.	mm	Lbs.	kg
B460-22	B22, B24, B32	2 1/8"	(57.5)	17	(7.7)
B460-12	B12	2 15/16"	(79.5)	20	(9.1)
B460-11	B11	3 3/4"	(101.6)	23	(10.4)

Part No.	For Channel Size	A		Wt./C	
		In.	mm	Lbs.	kg
B464-32	B32	1 1/2"	(40.6)	17	(7.7)
B464-22	B22, B24	1 3/4"	(47.4)	18	(8.1)
B464-12	B12	2 9/16"	(66.0)	21	(9.5)
B464-11	B11	3 3/8"	(91.4)	24	(10.9)

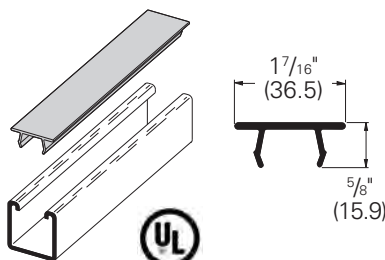
## B217-20 Snap Closure Strip for All 1<sup>5</sup>/<sub>8</sub>" (41.3) Wide Channels

- Refer to Raceway Fill Chart pages 278-279
- Material: 20 gauge (.9)
- Standard finishes: GRN, GALV, YZN
- Standard length: 120" (3.05m)
- Wt./CFT 36 Lbs. (16.3 kg)



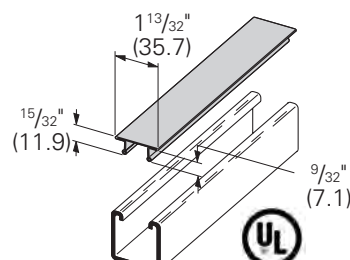
## B217P Plastic Snap Closure Strip for All 1<sup>5</sup>/<sub>8</sub>" (41.3) Wide Channels

- Refer to Raceway Fill Chart pages 278-279
- Standard finishes: Green (GRN) or Gray (GRY) Plastic
- Standard length: 120" (3.05m)
- Wt./CFT 9.2 Lbs. (4.2 kg)



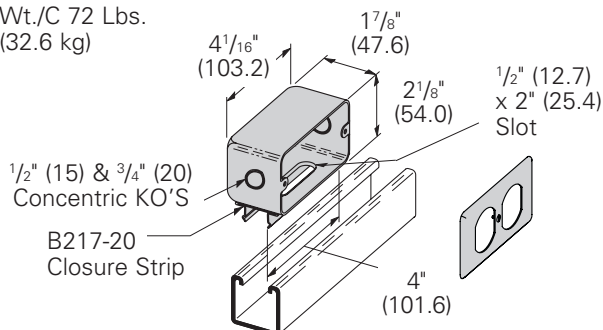
## B217-24 Snap Closure Strip for All 1<sup>5</sup>/<sub>8</sub>" (41.3) Wide Channels

- Refer to Raceway Fill Chart pages 278-279
- For use with 7 or fewer conductors no larger than #12 AWG
- Material: 24 gauge (.6)
- Standard finishes: GRN, GALV, YZN
- Standard length: 120" (3.05m)
- Wt./CFT 28 Lbs. (12.7 kg)



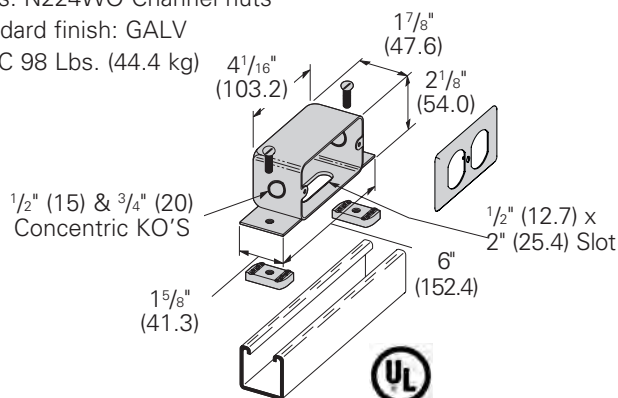
## B516 Snap-In Outlet Box

- Provided with #10-32 tapped hole for grounding strap
- Duplex cover plate included
- Receptacle not furnished
- Requires ground wire installation for use with UL listed channel raceway system
- Standard finish: GALV
- Wt./C 72 Lbs. (32.6 kg)



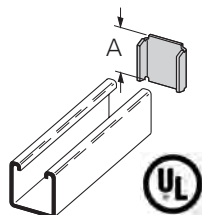
## B516S Outlet Box

- Duplex cover plate included
- Receptacle not furnished
- Includes: 2 pcs. 1/4"-20 Flat head machine screws  
2 pcs. N224WO Channel nuts
- Standard finish: GALV
- Wt./C 98 Lbs. (44.4 kg)



## B203 thru B206 B220 thru B223 X Type End Caps

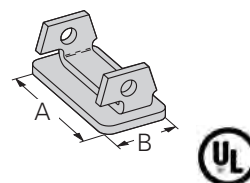
- Material: 12 gauge (2.6)
- Standard finishes: ZN, GRN, HDG, SS4



Part No.	Use With	A		Wt./C	
		In.	mm	Lbs.	kg
B203	B42	1.015"	(25.8)	6	(2.7)
B204	B54	.827"	(21.0)	5	(2.2)
B205	B22	1.640"	(41.6)	10	(4.5)
B206	B32	1.390"	(35.3)	8	(3.6)
B220	B52	.827"	(21.0)	4	(1.8)
B221	B12	2.452"	(62.3)	15	(6.8)
B222	B11	3.265"	(82.9)	20	(9.1)
B223	B24	1.640"	(41.6)	10	(4.5)

## B283 thru B286 End Caps

- Material: 12 gauge (2.6)
- Standard finishes: ZN, GRN



Part No.	Use With	A		B		Wt./C Lbs. kg
		In.	mm	In.	mm	
B283	B52	1 <sup>19</sup> / <sub>32</sub> "	(40.5)	<sup>25</sup> / <sub>32</sub> "	(19.8)	6 (2.7)
B284	B54	1 <sup>19</sup> / <sub>32</sub> "	(40.5)	<sup>25</sup> / <sub>32</sub> "	(19.8)	6 (2.7)
B285	B22	1 <sup>19</sup> / <sub>32</sub> "	(40.5)	1 <sup>19</sup> / <sub>32</sub> "	(40.5)	13 (5.9)
B286	B24	1 <sup>19</sup> / <sub>32</sub> "	(40.5)	1 <sup>19</sup> / <sub>32</sub> "	(40.5)	14 (6.3)

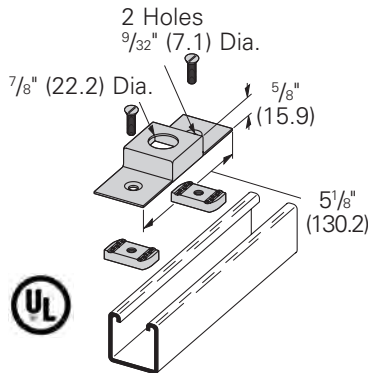
Reference page 206 for general fitting and standard finish specifications. U.L. Wire Fill Chart on pages 272 - 273.



# Electrical accessories

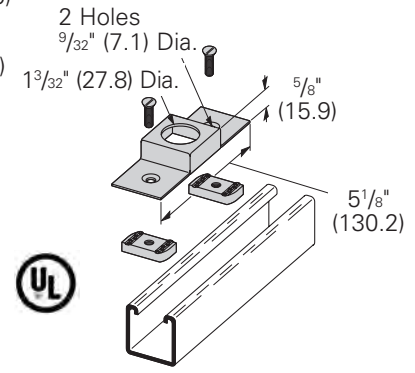
## B447 Conduit Connection Plate for 1/2" (15) Conduit

- Includes:
  - 2 pcs. 1/4"-20 Flat head machine screws
  - 2 pcs. N224WO Channel nuts
- Material: 16 gauge (1.5)
- Standard finish: ZN
- Wt./C 35 Lbs. (15.9 kg)



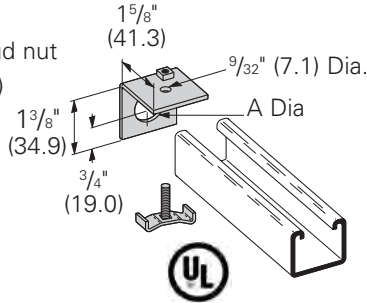
## B447A Conduit Connection Plate for 3/4" (20) Conduit

- Includes:
  - 2 pcs. 1/4"-20 Flat head machine screws
  - 2 pcs. N224WO Channel nuts
- Material: 16 gauge (1.5)
- Standard finish: ZN
- Wt./C 35 Lbs. (15.9 kg)



## B392-32 Series Connection End Cap

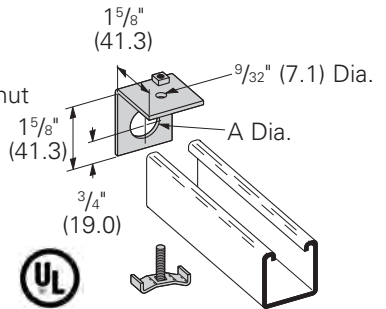
- Includes:
  - 1 pc. 1/4"-20 Square nut
  - 1 pc. B436S Fixture stud nut
- Material: 11 gauge (3.0)
- Standard finish: ZN



Part No.	A		Conduit Size		Wt./C Lbs. kg
	In.	mm	In.	mm	
B392-32-1/2	7/8"	(22.2)	1/2"	(15)	20 (9.1)
B392-32-3/4	1 1/16"	(27.0)	3/4"	(20)	19 (8.6)

## B392-22 Series Connection End Cap

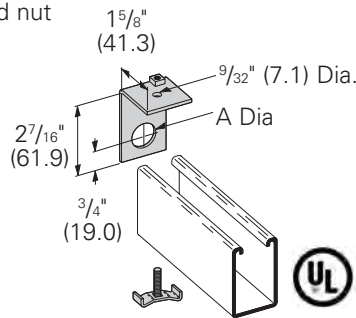
- Includes:
  - 1 pc. 1/4"-20 Square nut
  - 1 pc. B436S Fixture stud nut
- Material: 11 gauge (3.0)
- Standard finish: ZN



Part No.	A		Conduit Size		Wt./C Lbs. kg
	In.	mm	In.	mm	
B392-22-1/2	7/8"	(22.2)	1/2"	(15)	21 (9.5)
B392-22-3/4	1 1/16"	(27.0)	3/4"	(20)	20 (9.1)
B392-22-1	1" Pipe Thread		1"	(25)	17 (7.7)

## B392-12 Series Connection End Cap

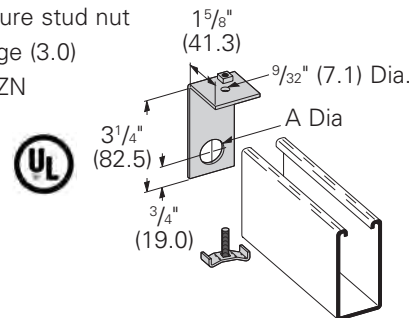
- Includes:
  - 1 pc. 1/4"-20 Square nut
  - 1 pc. B436S Fixture stud nut
- Material: 11 gauge (3.0)
- Standard finish: ZN



Part No.	A		Conduit Size		Wt./C Lbs. kg
	In.	mm	In.	mm	
B392-12-1/2	7/8"	(22.2)	1/2"	(15)	27 (12.2)
B392-12-3/4	1 1/16"	(27.0)	3/4"	(20)	26 (11.8)
B392-12-1	1" Pipe Thread		1"	(25)	23 (10.4)

## B392-11 Series Connection End Cap

- Includes:
  - 1 pc. 1/4"-20 Square nut
  - 1 pc. B436S Fixture stud nut
- Material: 11 gauge (3.0)
- Standard finish: ZN



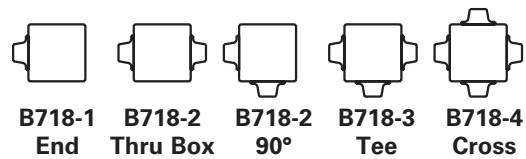
Part No.	A		Conduit Size		Wt./C Lbs. kg
	In.	mm	In.	mm	
B392-11-1/2	7/8"	(22.2)	1/2"	(15)	36 (16.3)
B392-11-3/4	1 1/16"	(27.0)	3/4"	(20)	33 (14.9)
B392-11-1	1" Pipe Thread		1"	(25)	32 (14.5)



## B718 Universal Junction Bob

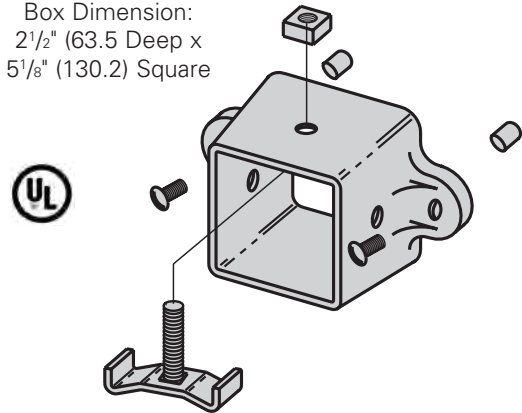
- Assemble B719 Hubs into B718 square knockouts
- Designed for use with B22 & B24 channel
- B718 Includes:
  - 1 pc. Junction box only
  - 1 pc. Cover only
  - 2 pcs. #10-20 Round head machine screws
- Standard finish: ZN
- Wt./C 180 Lbs. (81.6 kg)

Part No.	Includes	Wt./C	
		Lbs.	kg
<b>B718-1</b>	1 B718 & 1 B719	205	(93.0)
<b>B718-2</b>	1 B718 & 2 B719	230	(104.3)
<b>B718-3</b>	1 B718 & 3 B719	255	(115.6)
<b>B718-4</b>	1 B718 & 4 B719	280	(127.0)



### Selection Guide

Box Dimension:  
2 1/2" (63.5 Deep x  
5 1/8" (130.2) Square

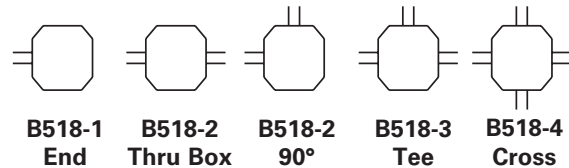


## B719AL Universal Junction Box Hub

- B719AL Includes:
  - 1 pc. B719AL Hub only
  - 1 pc. B436S Fixture stud nut
  - 1 pc. 1/4"-20 Square nut
  - 2 pcs. #10-24 Self tapping screws
  - 2 pcs. Rubber caps
- Material: Aluminum
- Wt./C 25 Lbs. (11.3 kg)

## B518-1 thru B518-4 Universal Junction Box & Hubs

- Channel connection kits as shown in the chart above
- Includes:
  - 1 pc. Junction box with screws
  - 1 pc. Box cover
- Standard finish: ZN

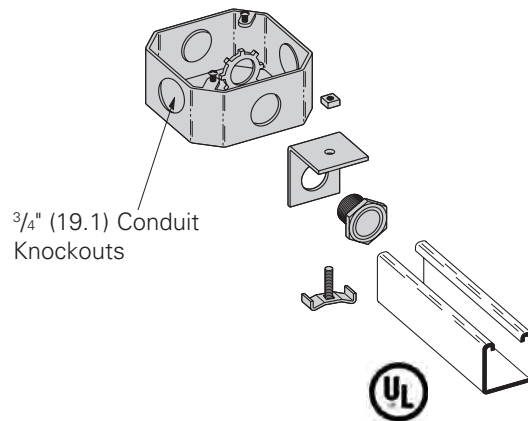


### Selection Guide

Part No.	Channel Connection Kits Included	Wt./C	
		Lbs.	kg
<b>B518-1</b>	1	106	(48.1)
<b>B518-2</b>	2	137	(62.1)
<b>B518-3</b>	3	162	(78.5)
<b>B518-4</b>	4	192	(87.1)

## Channel Connection Kit

- For use with B22 & B24 channels.
- Box Dimension: Standard 4" octagon box
- Includes:
  - 1 pc. B392-22-3/4 End connection (See page 212)
  - 1 pc. 3/4" (20) Insulated chase nipple
  - 1 pc. 3/4" (20) Lock nut
- Standard finish: ZN

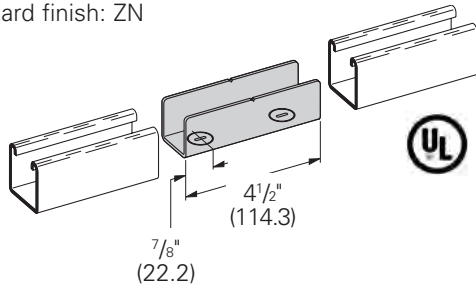


Reference page 206 for general fitting and standard finish specifications. U.L. Wire Fill Chart on pages 272 - 273.

# Strut joiners

## B766 Series Straight Strut Joiner

- Includes: 2 Cam screws
- Material: 12 gauge (2.6)
- Standard finish: ZN

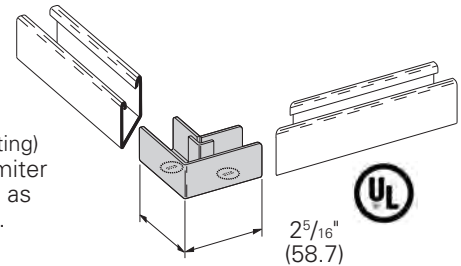


Part No.	For Channel Size	Wt./C	
		Lbs.	kg
<b>B766-11</b>	B11	94	(42.6)
<b>B766-12</b>	B12	72	(32.6)
<b>B766-22 *</b>	B22 & B24	50	(22.7)
<b>B766-32</b>	B32	44	(19.9)
<b>B766-42</b>	B42	34	(15.4)
<b>B766-52</b>	B52 & B54	28	(12.7)

\* Cast aluminum parts

## B767 Series 90° Elbow Strut Joiner

- Includes: 2 Cam screws
- Material: 12 gauge (2.6)
- Standard finish: ZN



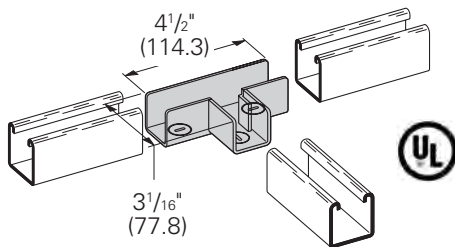
**Note:** B767-22 (Cast Aluminum Fitting) does not require miter cutting of channel as shown in drawing.

Part No.	For Channel Size	Wt./C	
		Lbs.	kg
<b>B767-11</b>	B11	74	(33.5)
<b>B767-12</b>	B12	56	(25.4)
<b>B767-22 *</b>	B22 & B24	39	(17.7)
<b>B767-32</b>	B32	34	(15.4)
<b>B767-42</b>	B42	27	(12.2)
<b>B767-52</b>	B52 & B54	23	(10.4)

\* Cast aluminum parts

## B768 Series Tee Strut Joiner

- Includes: 3 Cam screws
- Patented
- Material: 12 gauge (2.6)
- Standard finish: ZN

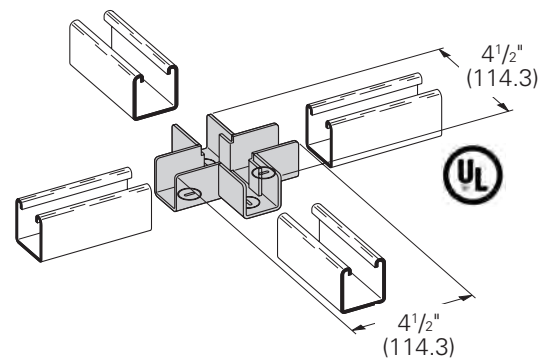


Part No.	For Channel Size	Wt./C	
		Lbs.	kg
<b>B768-11</b>	B11	142	(64.4)
<b>B768-12</b>	B12	112	(50.8)
<b>B768-22 *</b>	B22 & B24	79	(35.8)
<b>B768-32</b>	B32	72	(32.6)
<b>B768-42</b>	B42	62	(28.1)
<b>B768-52</b>	B52 & B54	57	(25.8)

\* Cast aluminum parts

## B769 Series Cross Strut Joiner

- Includes: 4 Cam screws
- Patented
- Material: 12 gauge (2.6)
- Standard finish: ZN



Part No.	For Channel Size	Wt./C	
		Lbs.	kg
<b>B769-11</b>	B11	148	(67.1)
<b>B769-12</b>	B12	120	(54.4)
<b>B769-22 *</b>	B22 & B24	87	(39.4)
<b>B769-32</b>	B32	78	(35.4)
<b>B769-42</b>	B42	65	(29.5)
<b>B769-52</b>	B52 & B54	58	(26.3)

\* Cast aluminum parts

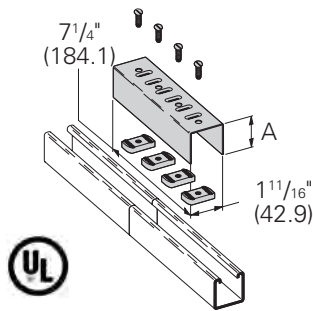
**Note:** Strut joiners are not for structural support. A channel support is recommended within 24" (609 mm) of each joint.

Reference page 206 for general fitting and standard finish specifications. U.L. Wire Fill Chart on pages 272 - 273.

# Strut joiners and electrical hardware

## B166 Four Hole Splice Clevis

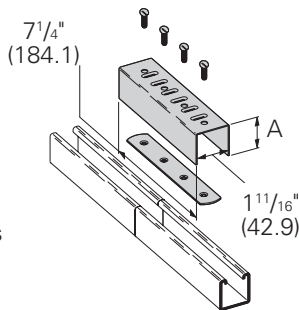
- Includes:
  - 1 Splice clevis
  - 4 pcs. 1/4"-20 Flat head machine screws
  - 4 pcs. N224WO channel nuts
- Material: 16 gauge (1.5)
- Standard finishes: ZN, GRN



Part No.	In.	A mm	For Channel Size	Wt./C Lbs. kg
B166-11	3 1/4"	(82.5)	B11	128 (58.0)
B166-12	2 7/16"	(61.9)	B12	108 (49.0)
B166-22	1 5/8"	(41.3)	B22, B24	91 (40.3)
B166-32	1 3/8"	(34.9)	B32	83 (37.6)
B166-42	1"	(25.4)	B42	75 (34.0)
B166-52	1 3/16"	(20.6)	B52, B54	71 (32.2)

## B166-46 Four Hole Splice Clevis Assembly

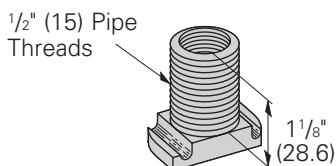
- Requires ground wire for use with UL listed channel raceway system
- Includes:
  - 1 Splice clevis
  - 1 pc. B466W tapped plate
  - 4 pcs. 1/4"-20 Flat Head Machine Screws
- Material: 16 gauge (1.5)
- Standard finishes: ZN, GRN



Part No.	In.	A mm	For Channel Size	Wt./C Lbs. kg
B166-46-11	3 1/4"	(82.5)	B11	118 (53.5)
B166-46-12	2 7/16"	(61.9)	B12	98 (44.4)
B166-46-22	1 5/8"	(41.3)	B22, B24	79 (35.8)
B166-46-32	1 3/8"	(34.9)	B32	73 (33.1)
B166-46-42	1"	(25.4)	B42	65 (29.5)
B166-46-52	1 3/16"	(20.6)	B52, B54	61 (27.6)

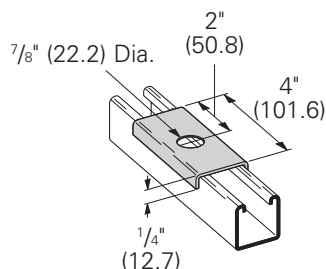
## B393-1 Wiring Stud

- Requires ground wire for use with UL listed channel raceway system
- 1/2" (15) pipe threads
- Material: Cast aluminum
- Wt./C 6 Lbs. (2.7 kg)



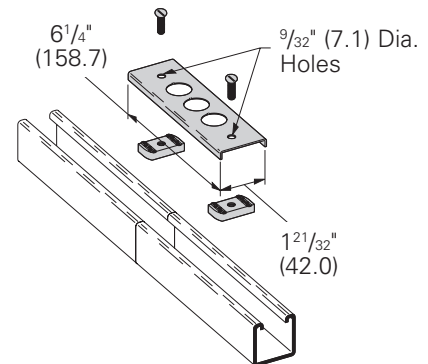
## B589 Spacer Clevis

- Can be used with B393-1 wiring stud
- Material: 12 gauge (2.6)
- Standard finish: ZN
- Wt./C 29 Lbs. (13.1 kg)



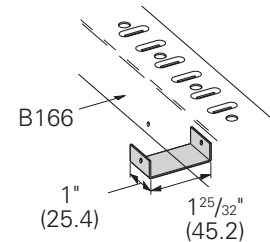
## B619 Knock-Out Plate

- Requires ground wire for use with UL listed channel raceway system
- Includes: 2 pcs. 1/4"-20 Flat head machine screws  
2 pcs. N224WO Channel nuts
- Material: 16 gauge (1.5) - 1/2" (15) conduit knockouts
- Standard finish: ZN
- Wt./C 40 Lbs. (18.1 kg)



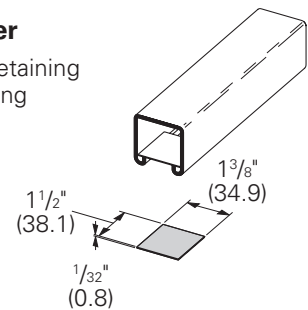
## B166CL Splice Clevis Clip

- Use to cover gap between strut
- Material: 18 gauge (1.2)
- Standard finish: ZN
- Wt./C 4 Lbs. (1.8 kg)



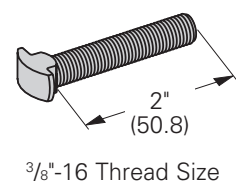
## B590 Fiber Wire Retainer

- Installation aid for retaining wires before installing snap closure strip
- Wt./C 1 Lb. (.4 kg)



## B617 Shoulder Bolt

- Standard finish: ZN
- Wt./C 6 Lbs. (2.7 kg)

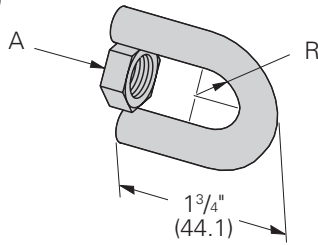


Reference page 206 for general fitting and standard finish specifications. U.L. Wire Fill Chart on pages 272 - 273.

# Electrical hardware & porcelain saddles

## B446A Swivel Hanger (Female Only)

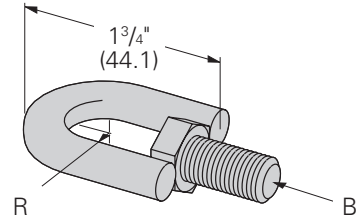
- Design Load:  
(<sup>3</sup>/<sub>8</sub>)-610 Lbs. (2.71 kN)  
(<sup>1</sup>/<sub>2</sub>)-1130 Lbs. (5.02 kN)
- Safety Factor of 3
- Standard finish: ZN



Part No.	A		R		Wt./C	
	In.	mm	In.	mm	Lbs.	kg
B446A- <sup>3</sup> / <sub>8</sub>	<sup>3</sup> / <sub>8</sub> "-16 HN		<sup>9</sup> / <sub>32</sub> " (7.1)		13	(5.9)
B446A- <sup>1</sup> / <sub>2</sub>	<sup>1</sup> / <sub>2</sub> "-13 HN		<sup>3</sup> / <sub>8</sub> " (9.5)		15	(6.8)

## B446B Swivel Hanger (Male Only)

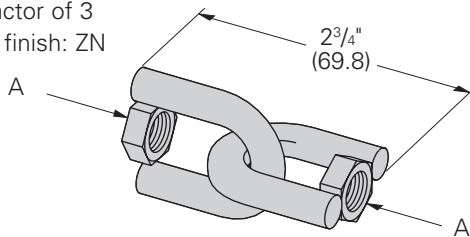
- Design Load:  
(<sup>3</sup>/<sub>8</sub>)-610 Lbs. (2.71 kN)  
(<sup>1</sup>/<sub>2</sub>)-1130 Lbs. (5.02 kN)
- Safety Factor of 3
- Standard finish: ZN



Part No.	A		R		Wt./C	
	In.	mm	In.	mm	Lbs.	kg
B446B- <sup>3</sup> / <sub>8</sub>	<sup>3</sup> / <sub>8</sub> "-16 HHCS		<sup>9</sup> / <sub>32</sub> " (7.1)		16	(7.2)
B446B- <sup>1</sup> / <sub>2</sub>	<sup>1</sup> / <sub>2</sub> "-13 HHCS		<sup>3</sup> / <sub>8</sub> " (9.5)		20	(9.1)

## B446C Swivel Hanger (Female-Female)

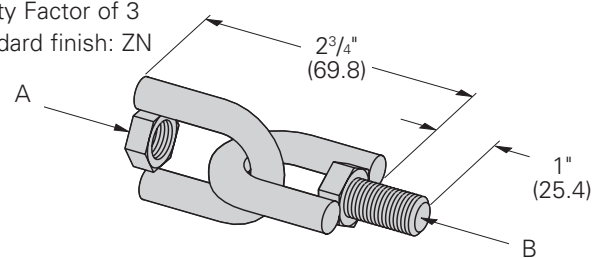
- Design Load:  
(<sup>3</sup>/<sub>8</sub>)-610 Lbs. (2.71 kN)  
(<sup>1</sup>/<sub>2</sub>)-1130 Lbs. (5.02 kN)
- Safety Factor of 3
- Standard finish: ZN



Part No.	A		Wt./C	
	In.	mm	Lbs.	kg
B446C- <sup>3</sup> / <sub>8</sub>	<sup>3</sup> / <sub>8</sub> "-16 HN		26	(11.8)
B446C- <sup>1</sup> / <sub>2</sub>	<sup>1</sup> / <sub>2</sub> "-13 HN		31	(14.0)

## B446 Swivel Hanger (Female-Male)

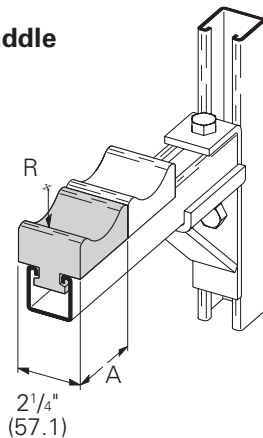
- Design Load:  
(<sup>3</sup>/<sub>8</sub>)-610 Lbs. (2.71 kN)  
(<sup>1</sup>/<sub>2</sub>)-1130 Lbs. (5.02 kN)
- Safety Factor of 3
- Standard finish: ZN



Part No.	A		B		Wt./C	
	In.	mm	In.	mm	Lbs.	kg
B446- <sup>3</sup> / <sub>8</sub>	<sup>3</sup> / <sub>8</sub> "-16 HN		<sup>3</sup> / <sub>8</sub> "-16 HHCS		28	(12.7)
B446- <sup>1</sup> / <sub>2</sub>	<sup>1</sup> / <sub>2</sub> "-13 HN		<sup>1</sup> / <sub>2</sub> "-13 HHCS		36	(16.3)

## B4050 & B4051 Porcelain Cable Channel Saddle

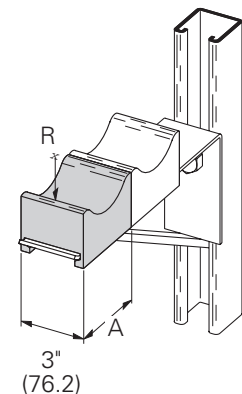
- Electrical porcelain has an dielectric strength of 50 volts/mil



Part No.	A		R		Wt./C	
	In.	mm	In.	mm	Lbs.	kg
B4050	3"	(76.2)	<sup>1</sup> / <sub>8</sub> " (34.9)		72	(32.6)
B4051	4"	(101.6)	<sup>2</sup> / <sub>16</sub> " (54.0)		100	(45.3)

## B4094 & B4095 Porcelain Cable Rack Saddle

- Electrical porcelain has an dielectric strength of 50 volts/mil
- Designed for use with B449 brackets

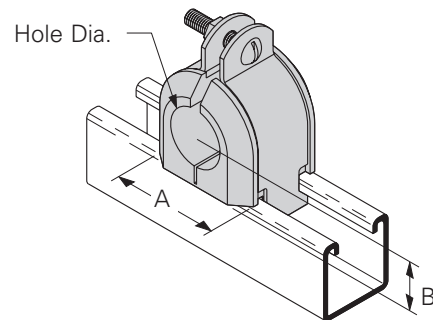


Part No.	A		R		Wt./C	
	In.	mm	In.	mm	Lbs.	kg
B4094	<sup>2</sup> / <sub>8</sub> " (73.0)		<sup>1</sup> / <sub>8</sub> " (34.9)		67	(30.4)
B4095	<sup>3</sup> / <sub>8</sub> " (98.4)		<sup>2</sup> / <sub>16</sub> " (54.0)		106	(48.1)

Reference page 206 for general fitting and standard finish specifications. U.L. Wire Fill Chart on pages 272 - 273.

## B4060 THRU B4093 Insulclamp Cable Clamps (Replaces porcelain clamps)

- Assembly includes:  
1 Insulclamp™ & 1 pr. zinc plated pipe straps with Everdur (Silicon Bronze) hardware
- The thermoplastic elastomer Insulclamp has a dielectric strength of 640 volts/mil
- The flame retardant one piece design allows for trouble free assembly
- Everdur hardware is non-ferrous and prevents magnetic induction

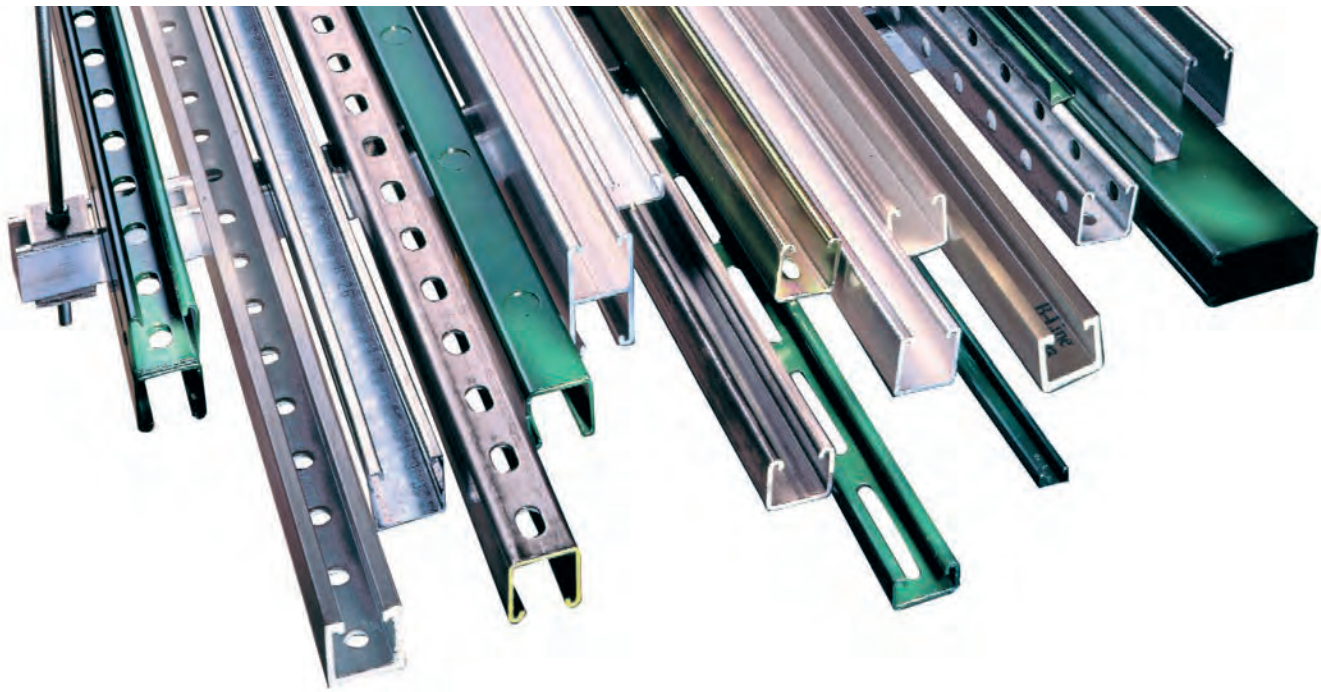


Part No.	Hole Dia.		Wt./C		A		B		Includes Clamp No.
	In.	mm	Lbs.	kg	In.	mm	In.	mm	
B4060	3/8"	(9.5)	25	(11.3)					
B4061	1/2"	(12.7)	25	(11.3)	1.36"	(34.5)	.56"	(14.2)	B2030
B4062	5/8"	(15.9)	25	(11.3)					
B4063	3/4"	(19.0)	37	(16.8)					
B4064	7/8"	(22.2)	37	(16.8)	1.86"	(47.2)	.81"	(20.8)	B2011
B4065	1"	(25.4)	37	(16.8)					
B4066	1 1/8"	(28.6)	37	(16.8)					
B4067	1 1/4"	(31.7)	58	(26.3)					
B4068	1 3/8"	(34.9)	58	(26.3)	2.36"	(59.9)	1.06"	(26.9)	B2038
B4069	1 1/2"	(38.1)	58	(26.3)					
B4070	1 5/8"	(41.3)	58	(26.3)					
B4071	1 3/4"	(44.4)	76	(34.5)					
B4072	1 7/8"	(47.6)	76	(34.5)					
B4073	2"	(50.8)	76	(34.5)	2.86"	(72.6)	1.31"	(33.3)	B2042
B4074	2 1/8"	(54.0)	76	(34.5)					
B4075	2 1/4"	(57.1)	90	(40.8)					
B4076	2 3/8"	(60.3)	90	(40.8)	3.36"	(85.3)	1.56"	(39.6)	B2046
B4077	2 1/2"	(63.5)	90	(40.8)					
B4078	2 5/8"	(66.7)	90	(40.8)					
B4079	2 3/4"	(69.8)	109	(49.4)					
B4080	2 7/8"	(73.0)	109	(49.4)	3.86"	(98.0)	1.81"	(46.0)	B2050
B4081	3"	(76.2)	109	(49.4)					
B4082	3 1/8"	(79.4)	109	(49.4)					
B4083	3 1/4"	(82.5)	130	(58.9)					
B4084	3 3/8"	(85.7)	130	(58.9)	4.36"	(110.7)	2.06"	(52.3)	B2054
B4085	3 1/2"	(88.9)	130	(58.9)					
B4086	3 5/8"	(92.1)	130	(58.9)					
B4087	3 3/4"	(95.2)	160	(72.6)					
B4088	3 7/8"	(98.4)	160	(72.6)	4.86"	(123.4)	2.31"	(58.7)	B2058
B4089	4"	(101.6)	160	(72.6)					
B4090	4 1/8"	(104.8)	160	(72.6)					
B4091	4 1/4"	(107.9)	160	(72.6)					
B4092	4 3/8"	(111.1)	160	(72.6)	5.24"	(133.1)	2.50"	(63.5)	B2018
B4093	4 1/2"	(114.3)	160	(72.6)					

Reference page 206 for general fitting and standard finish specifications. U.L. Wire Fill Chart on pages 272 - 273.



# Aluminum and stainless steel



## Aluminum

Aluminum channels, fittings and accessories offer excellent corrosion resistance and are suitable for many indoor and outdoor applications. Aluminum's high strength to weight ratio helps greatly reduce overall cost of installation through ease of handling and cutting. Channels are extruded from aluminum alloy 6063-T6. Closure strips are extruded from aluminum alloy 6063-T5. Fittings and accessories are made from aluminum alloy 5052-H32.

## Stainless Steel

Where corrosion problems persist and other material and fittings are ineffective, we recommend use of corrosion resistant stainless steel channels and accessories. Channels and fittings are available in two types of stainless steel:

SS4-AISI Type 304

SS6-AISI Type 316

## Fittings

Most fittings, as shown in this catalog, can be supplied in aluminum or stainless steel. Consult factory for possible minimum production quantities and set-up charges.

## Load Data

### Aluminum

Channel's approximate load data can be determined by multiplying load data in the steel channel section of this catalog by a factor of 0.38.

### Stainless Steel

Channel load data is the same as the data in the steel channel section of this catalog.

## Metric

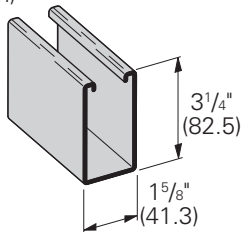
Metric dimensions are shown in parentheses. Unless noted, all metric dimensions are in millimeters.



# Aluminum channel and closure strips

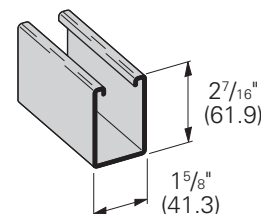
## B11AL

- Thickness: .105 (2.6 mm)
- Standard Length: 10' (3.05 m) and 20' (6.09 m)
- Material: Aluminum
- Weight: 1.06 Lbs./Ft. (1.58 kg/m)



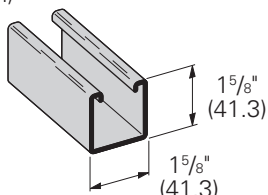
## B12AL

- Thickness: .105 (2.6 mm)
- Standard Length: 10' (3.05 m) and 20' (6.09 m)
- Material: Aluminum
- Weight: .86 Lbs./Ft. (1.28 kg/m)



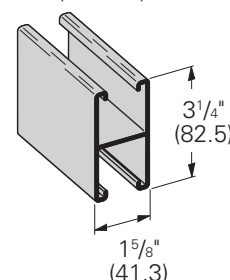
## B22AL

- Thickness: .105 (2.6 mm)
- Standard Length: 10' (3.05 m) and 20' (6.09 m)
- Material: Aluminum
- Weight: .66 Lbs./Ft. (0.98 kg/m)



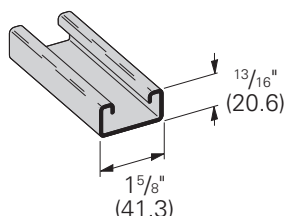
## B22AAL

- Thickness: .105 (2.6 mm)
- Standard Length: 10' (3.05 m) and 20' (6.09 m)
- Material: Aluminum
- Weight: 1.18 Lbs./Ft. (1.75 kg/m)



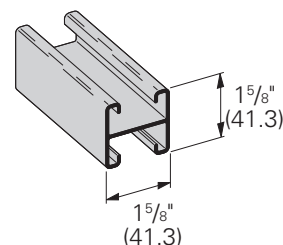
## B54AL

- Thickness: .080 (2.0 mm)
- Standard Length: 10' (3.05 m) and 20' (6.09 m)
- Material: Aluminum
- Weight: .37 Lbs./Ft. (0.55 kg/m)



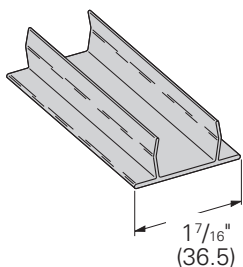
## B54AAL

- Thickness: .080 (2.0 mm)
- Standard Length: 10' (3.05 m) and 20' (6.09 m)
- Material: Aluminum
- Weight: .57 Lbs./Ft. (0.84 kg/m)



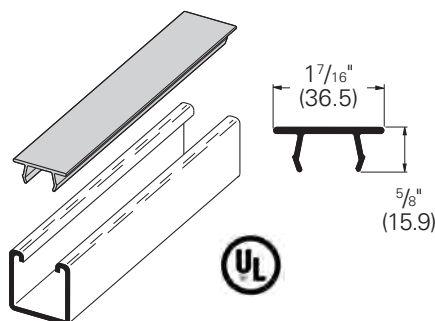
## B217AL Closure Strip

- Standard Length: 10' (304.8 cm)
- Material: Aluminum
- Weight: .15 Lbs./Ft. (0.23 kg/m)



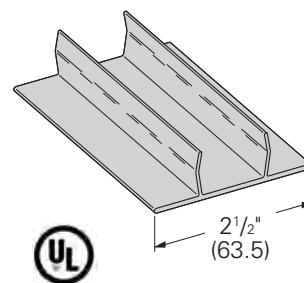
## B217P Plastic Closure Strip

- Standard Length: 10' (304.8 cm)
- Material: PVC
- Weight: .09 Lbs./Ft. (0.14 kg/m)



## B217FFAL Closure Strip

- Standard Length: 10' (304.8 cm)
- Material: Aluminum
- Weight: .16 Lbs./Ft. (0.24 kg/m)

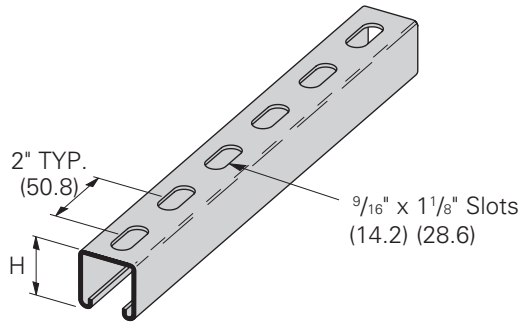


Reference page 218 for general fitting specifications. Other channel combinations available-see steel section for styles.

# Aluminum

## SH Type Channel

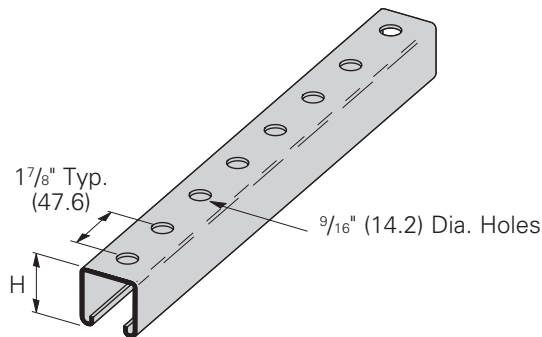
- Material: Aluminum



Part No.	Thickness in. mm	H in. mm	Wt./C Lbs./Ft.kg/m
B12SH AL	.105 (2.6)	2 <sup>7</sup> / <sub>16</sub> " (61.9)	.83 (1.23)
B22SH AL	.105 (2.6)	1 <sup>5</sup> / <sub>8</sub> " (41.3)	.63 (.93)
B54SH AL	.080 (2.0)	1 <sup>3</sup> / <sub>16</sub> " (20.6)	.34 (.50)

## H-17/8 Type Channel

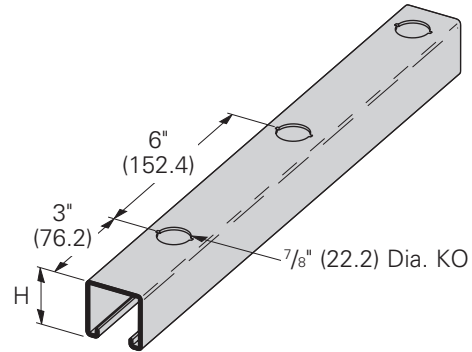
- Material: Aluminum



Part No.	Thickness in. mm	H in. mm	Wt./C Lbs./Ft.kg/m
B12H17/8 AL	.105 (2.6)	2 <sup>7</sup> / <sub>16</sub> " (61.9)	.86 (1.28)
B22H17/8 AL	.105 (2.6)	1 <sup>5</sup> / <sub>8</sub> " (41.3)	.66 (.98)
B54H17/8 AL	.080 (2.0)	1 <sup>3</sup> / <sub>16</sub> " (20.6)	.37 (.55)

## KO6 Type Knockout Channel

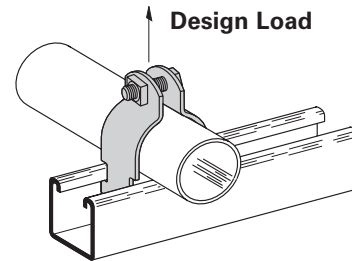
- Material: Aluminum



Part No.	Thickness in. mm	H in. mm	Wt./C Lbs./Ft.kg/m
B12KO6 AL	.105 (2.6)	2 <sup>7</sup> / <sub>16</sub> " (61.9)	.86 (1.28)
B22KO6 AL	.105 (2.6)	1 <sup>5</sup> / <sub>8</sub> " (41.3)	.66 (.98)
B54KO6 AL	.080 (2.0)	1 <sup>3</sup> / <sub>16</sub> " (20.6)	.37 (.56)

## B2000 Series Rigid Conduit Clamps

- Safety Factor of 5
- Machine Screw and Square Nut included
- Pipe clamp material 5052-H32



Part No.	Conduit or Pipe Size in. mm	Material Thickness in. mm	Design Load Lbs. kN	Wt./C Lbs. kg
B2001 AL	<sup>3</sup> / <sub>8</sub> " (10)	.063 (1.6)	180 (.80)	4 (1.8)
B2008 AL	<sup>1</sup> / <sub>2</sub> " (15)	.063 (1.6)	180 (.80)	4 (1.8)
B2009 AL	<sup>3</sup> / <sub>4</sub> " (20)	.080 (2.0)	270 (1.20)	6 (2.7)
B2010 AL	1" (25)	.080 (2.0)	270 (1.20)	7 (3.2)
B2011 AL	1 <sup>1</sup> / <sub>4</sub> " (32)	.080 (2.0)	270 (1.20)	8 (3.6)
B2012 AL	1 <sup>1</sup> / <sub>2</sub> " (40)	.100 (2.5)	360 (1.60)	11 (5.0)
B2013 AL	2" (50)	.100 (2.5)	360 (1.60)	12 (5.4)
B2014 AL	2 <sup>1</sup> / <sub>2</sub> " (65)	.100 (2.5)	360 (1.60)	13 (5.9)
B2015 AL	3" (80)	.100 (2.5)	360 (1.60)	16 (7.2)
B2016 AL	3 <sup>1</sup> / <sub>2</sub> " (90)	.125 (3.2)	450 (2.00)	22 (10.0)
B2017 AL	4" (100)	.125 (3.2)	450 (2.00)	24 (10.9)
B2018 AL	4 <sup>1</sup> / <sub>2</sub> " (115)	.125 (3.2)	450 (2.00)	26 (11.8)
B2019 AL	5" (125)	.125 (3.2)	450 (2.00)	27 (12.2)
B2020 AL	6" (150)	.125 (3.2)	450 (2.00)	33 (14.9)

Reference page 218 for general fitting specifications. Other channel combinations available-see steel section for styles.

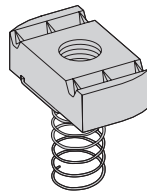
## Aluminum Fittings

Most fittings, as shown in this catalog, can be supplied in aluminum. See "Fittings" section (page 106) of this catalog. Consult factory for possible minimum production quantities and set-up charges.

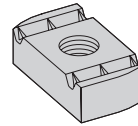
### Channel Nuts

We recommend the use of Stainless Steel channel nuts with Aluminum channel. For channel nut pull-out strength and slip resistance, use the channel nut information provided on pg. 84 & 85.

A (.70) multiplier is to be applied to obtain the appropriate derated values for aluminum channel.



**Spring Nut**



**Nut Without Spring**

### Nuts for B12 Channel

Part Number		Thread Size	Thickness		Wt./C	
With Spring	Without Spring		in.	mm	Lbs.	kg
N724SS6	N224WOSS6	1/4"-20	1/4"	(6.3)	6.6	(3.0)
N728SS6	N228WOSS6	3/8"-16	3/8"	(9.5)	10.6	(4.8)
N725SS6	N225WOSS6	1/2"-13	3/8"	(9.5)	9.7	(4.4)

### Nuts for B22, B24 Channels

Part Number		Thread Size	Thickness		Wt./C	
With Spring	Without Spring		in.	mm	Lbs.	kg
N224SS6	N224WOSS6	1/4"-20	1/4"	(6.3)	6.6	(3.0)
N228SS6	N228WOSS6	3/8"-16	3/8"	(9.5)	10.6	(4.8)
N225SS6	N225WOSS6	1/2"-13	3/8"	(9.5)	9.7	(4.4)

### Nuts for B54 Channel

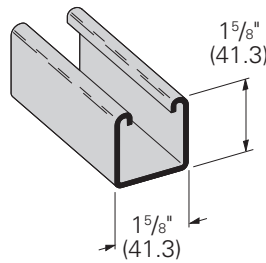
Part Number		Thread Size	Thickness		Wt./C	
With Spring	Without Spring		in.	mm	Lbs.	kg
N524SS6	N224WOSS6	1/4"-20	1/4"	(6.3)	6.6	(3.0)
N528SS6	N228WOSS6	3/8"-16	3/8"	(9.5)	10.6	(4.8)
N525SS6	N525WOSS6	1/2"-13	3/8"	(9.5)	9.7	(4.4)

Reference page 218 for general fitting specifications. Other channel combinations available-see steel section for styles.

# Stainless steel

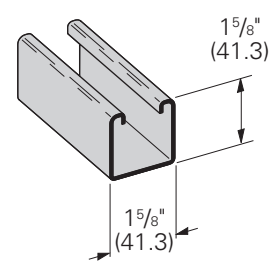
## B22SS

- Substitute 4 for Stainless Steel Type 304 or 6 for Stainless Steel Type 316
- Thickness: 12 Ga. (2.6 mm)
- Standard Length: 10' (3.05 m) and 20' (6.09 m)
- Material: SS4, SS6
- Weight: 1.90 Lbs./Ft. (2.83 kg/m)



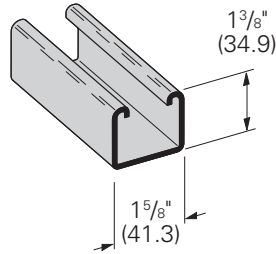
## B24SS

- Substitute 4 for Stainless Steel Type 304 or 6 for Stainless Steel Type 316
- Thickness: 14 Ga. (1.9 mm)
- Standard Length: 10' (3.05 m) and 20' (6.09 m)
- Material: SS4, SS6
- Weight: 1.40 Lbs./Ft. (2.08 kg/m)



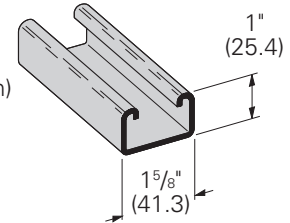
## B32SS4

- Thickness: 12 Ga. (2.6 mm)
- Standard Length: 10' (3.05 m) and 20' (6.09 m)
- Material: SS4
- Weight: 1.70 Lbs./Ft. (2.53 kg/m)



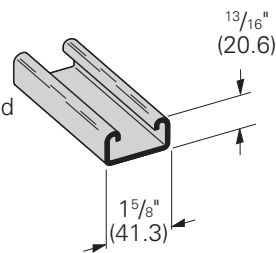
## B42SS4

- Thickness: 12 Ga. (2.6 mm)
- Standard Length: 10' (3.05 m) and 20' (6.09 m)
- Material: SS4
- Weight: 1.44 Lbs./Ft. (2.14 kg/m)



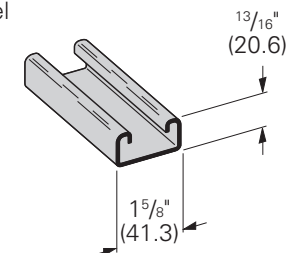
## B52SS

- Substitute 4 for Stainless Steel Type 304 or 6 for Stainless Steel Type 316
- Thickness: 12 Ga. (2.6 mm)
- Standard Length: 10' (3.05 m) and 20' (6.09 m)
- Material: SS4, SS6
- Weight: 1.27 Lbs./Ft. (1.89 kg/m)

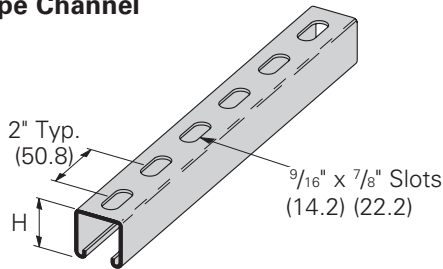


## B54SS

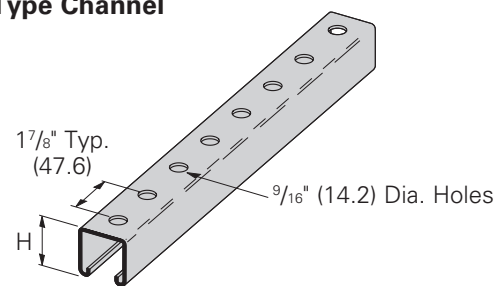
- Substitute 4 for Stainless Steel Type 304 or 6 for Stainless Steel Type 316
- Thickness: 14 Ga. (1.9 mm)
- Standard Length: 10' (3.05 m) and 20' (6.09 m)
- Material: SS4, SS6
- Weight: .97 Lbs./Ft. (1.44 kg/m)



## SH Type Channel



## H-1 7/8 Type Channel



Part No.	Thickness in. mm	H in. mm	Wt./C Lbs./Ft.kg/m
B22SH SS4	12 Ga. (2.6)	1 5/8" (41.3)	1.82 (2.70)
B22SH SS6	12 Ga. (2.6)	1 5/8" (41.3)	1.82 (2.70)
B24SH SS4	14 Ga. (1.9)	1 5/8" (41.3)	1.34 (1.99)
B24SH SS6	14 Ga. (1.9)	1 5/8" (41.3)	1.34 (1.99)
B32SH SS4	12 Ga. (2.6)	1 3/8" (34.9)	1.62 (2.41)
B42SH SS4	12 Ga. (2.6)	1" (25.4)	1.36 (2.02)
B52SH SS4	12 Ga. (2.6)	1 3/16" (20.6)	1.23 (1.83)
B52SH SS6	12 Ga. (2.6)	1 3/16" (20.6)	1.23 (1.83)
B54SH SS4	14 Ga. (1.9)	1 3/16" (20.6)	.91 (1.35)
B54SH SS6	14 Ga. (1.9)	1 3/16" (20.6)	.91 (1.35)

Part No.	Thickness in. mm	H in. mm	Wt./C Lbs./Ft.kg/m
B22H1 7/8 SS4	12 Ga. (2.6)	1 5/8" (41.3)	1.85 (2.75)
B22H1 7/8 SS6	12 Ga. (2.6)	1 5/8" (41.3)	1.85 (2.75)
B24H1 7/8 SS4	14 Ga. (1.9)	1 5/8" (41.3)	1.36 (2.02)
B24H1 7/8 SS6	14 Ga. (1.9)	1 5/8" (41.3)	1.36 (2.02)
B32H1 7/8 SS4	12 Ga. (2.6)	1 3/8" (34.9)	1.65 (2.45)
B42H1 7/8 SS4	12 Ga. (2.6)	1" (25.4)	1.39 (2.07)
B52H1 7/8 SS4	12 Ga. (2.6)	1 3/16" (20.6)	1.20 (1.83)
B52H1 7/8 SS6	12 Ga. (2.6)	1 3/16" (20.6)	1.20 (1.83)
B54H1 7/8 SS4	14 Ga. (1.9)	1 3/16" (20.6)	.93 (1.38)
B54H1 7/8 SS6	14 Ga. (1.9)	1 3/16" (20.6)	.93 (1.38)

Reference page 218 for general fitting specifications. Other channel combinations available-see steel section for styles.

## Stainless Steel Fittings

Most fittings, as shown in this catalog, can be supplied in Type 304 or Type 316 stainless steel. See "Fittings" section (page 106) of this catalog.

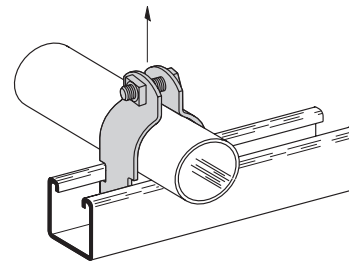
Consult factory for possible minimum production quantities and set-up charges.

### B2000 Series Pipe & Tubing Clamps

- Safety Factor of 5
- Combination recess hex head machine screw and square nut included
- Material: Stainless Steel Type 304 & 316

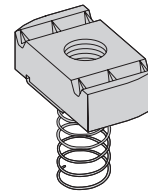
Part No.	Conduit or Pipe Size in. mm	Material Thickness in. mm	Design Load		Wt./C	
			Lbs.	kN	Lbs.	kg
<b>B2001 SS4</b>	3/8" (10)	16 Ga. (1.5)	400	(1.78)	10	(4.5)
<b>B2008 SS4</b>	1/2" (15)	16 Ga. (1.5)	400	(1.78)	11	(5.0)
<b>B2009 SS4</b>	3/4" (20)	14 Ga. (1.9)	600	(2.67)	15	(6.8)
<b>B2010 SS4</b>	1" (25)	14 Ga. (1.9)	600	(2.67)	16	(7.2)
<b>B2011 SS4</b>	1 1/4" (32)	14 Ga. (1.9)	600	(2.67)	20	(9.1)
<b>B2012 SS4</b>	1 1/2" (40)	12 Ga. (2.6)	800	(3.56)	30	(13.6)
<b>B2013 SS4</b>	2" (50)	12 Ga. (2.6)	800	(3.56)	34	(15.4)
<b>B2014 SS4</b>	2 1/2" (65)	12 Ga. (2.6)	800	(3.56)	38	(17.2)
<b>B2015 SS4</b>	3" (80)	12 Ga. (2.6)	800	(3.56)	44	(19.9)
<b>B2016 SS4</b>	3 1/2" (90)	12 Ga. (2.6)	1000	(4.45)	51	(23.1)
<b>B2017 SS4</b>	4" (100)	12 Ga. (2.6)	1000	(4.45)	55	(24.9)
<b>B2018 SS4</b>	4 1/2" (115)	12 Ga. (2.6)	1000	(4.45)	59	(26.7)
<b>B2019 SS4</b>	5" (125)	12 Ga. (2.6)	1000	(4.45)	64	(29.0)
<b>B2020 SS4</b>	6" (150)	12 Ga. (2.6)	1000	(4.45)	80	(36.3)

Design Load

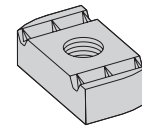


### Channel Nuts

- For Channel Nuts pull-out strength and slip resistance, use the data shown on pages 84 & 85.
- Helps reduce slip load by up to 50% due to hardness of material.



Spring Nut



Nut Without Spring

### Nuts for B22, B24, B32 Channels

Part Number		Thread Size	Thickness in. mm	Wt./C	
With Spring	Without Spring			Lbs.	kg
<b>N224SS6</b>	<b>N224WOSS6</b>	1/4"-20	1/4" (6.3)	6.6	(3.0)
<b>N228SS6</b>	<b>N228WOSS6</b>	3/8"-16	3/8" (9.5)	10.6	(4.8)
<b>N225SS6</b>	<b>N225WOSS6</b>	1/2"-13	3/8" (9.5)	9.7	(4.4)

### Nuts for B42, B52, B54 Channels

Part Number		Thread Size	Thickness in. mm	Wt./C	
With Spring	Without Spring			Lbs.	kg
<b>N524SS6</b>	<b>N224WOSS6</b>	1/4"-20	1/4" (6.3)	6.6	(3.0)
<b>N528SS6</b>	<b>N228WOSS6</b>	3/8"-16	3/8" (9.5)	10.6	(4.8)
<b>N525SS6</b>	<b>N525WOSS6</b>	1/2"-13	3/8" (9.5)	9.7	(4.4)

Reference page 218 for general fitting specifications. Other channel combinations available-see steel section for styles.

# Fiberglass



We offer two fire retardant (FR) resins for strut systems: polyester and vinyl ester. Both resins are ideal for corrosive environments.

While polyester is sufficient for most uses, vinyl ester is suitable for a broader range of environments.

Please refer to the "Corrosion Resistance Guide" for specific applications, page 225.

## Materials & Finishes

Our Fiberglass Strut systems are manufactured from glass fiber-reinforced plastic shapes that meet ASTM E-84, Class 1 Flame Rating and self-extinguishing requirements of ASTM D-635. A surface veil is applied during pultrusion to ensure a resin-rich surface and ultraviolet resistance.

## Fittings

The following dimensions apply to all fittings except as noted on the drawings:

Hole Size –  $1\frac{3}{32}$ " (10.3 mm) Dia.

Hole Spacing –  $1\frac{3}{16}$ " (20.6 mm) from end and  $1\frac{7}{8}$ " (47.6 mm) on center.

Width –  $1\frac{5}{8}$ " (41.3 mm)

Thickness –  $\frac{1}{4}$ " (6.3 mm)

## Metric

Metric dimensions are shown in parentheses. Unless noted, all metric dimensions are in millimeters.



## Channel Resin Information

We offer two fire retardant (FR) resins for strut systems, polyester and vinyl ester. Both resins are ideal for corrosive environments. While polyester is sufficient for most uses, vinyl ester is suitable for a broader range of environments. Please refer to the "Corrosion Resistance Guide" below for specific applications.

Corrosion Resistance Guide					
Chemicals	70°F (21°C)	160°F (71°C)	Chemicals	70°F (21°C)	160°F (71°C)
Acetic acid 5%	BFP/BFV	BFP/BFV	Methyl alcohol 10%	BFP/BFV	BFV-150° **
Acetic acid 52%	BFP/BFV	BFV-210° **	Naphtha	BFP/BFV	BFP/BFV
Aluminum potassium sulfate 5%	BFP/BFV	BFP/BFV	Nitric acid 5%	BFP/BFV	BFP/BFV
Ammonium hydroxide 10%	BFP/BFV	BFV-150° **	Nitric acid 20%	BFV	BFV-120° **
Ammonium nitrate	BFP/BFV	BFP/BFV	Phosphoric acid 10%	BFP/BFV	BFP/BFV
Benzene sulfonic acid 5%	BFP/BFV	BFP/BFV	Phosphoric acid 30%	BFP/BFV	BFP/BFV
Calcium chloride	BFP/BFV	BFP/BFV	Phosphoric acid 85%	BFP/BFV	BFP/BFV
Carbon tetrachloride	BFV	BFV-100° **	Sodium bicarbonate 10%	BFP/BFV	BFP/BFV
Chlorine dioxide 15%	BFP/BFV	BFV-150° **	Sodium bisulfate	BFP/BFV	BFP/BFV
Chromic acid 5%	BFV	BFV-150° **	Sodium carbonate	BFP/BFV	BFV
Copper sulfate	BFP/BFV	BFP/BFV	Sodium chloride	BFP/BFV	BFP/BFV
Diesel fuel	BFP/BFV	BFV	Sodium hydroxide 1-50%	BFV	BFV-120° **
Ethylene glycol	BFP/BFV	BFP/BFV	Sodium hypochlorite 5%	BFP/BFV	BFV-120° **
Fatty acids 100%	BFP/BFV	BFP/BFV	Sodium nitrate	BFP/BFV	BFP/BFV
Ferrous sulfate	BFP/BFV	BFP/BFV	Sodium silicate	BFP/BFV	BFV-210° **
Fluosilicic acid 0-20%	BFV	BFV	Sodium sulfate	BFP/BFV	BFP/BFV
Gasoline	BFP/BFV	BFV	Sulfuric acid 0-30%	BFP/BFV	BFP/BFV
Hydrochloric acid 1%	BFP/BFV	BFP/BFV	Sulfuric acid 30-50%	BFV	BFV
Hydrochloric acid 15%	BFP/BFV	BFV-180° **	Sulfuric acid 50-70%	BFV	BFV-180° **
Hydrochloric acid 37%	BFP/BFV	BFV-150° **	Trisodium phosphate 25%	BFP/BFV	BFV-210° **
Kerosene	BFP/BFV	BFP/BFV	Trisodium phosphate-All	BFV	BFV-210° **
Magnesium chloride	BFP/BFV	BFP/BFV	Water, Distilled	BFP/BFV	BFP/BFV

BFP - BFP parts recommended    BFV - BFV parts recommended    \*\* - Not recommended to exceed this temperature

Information contained in this chart is based on data from raw material suppliers.

Temperatures are not the minimum nor the maximum (except where specifically stated) but represent standard test conditions. The products may be suitable at higher temperatures but individual test data should be required to establish suitability.

The recommendations or suggestions contained in this chart are made without guarantee or representation as to results. We suggest that you evaluate the recommendations and suggestions in your own laboratory or actual field trial prior to use.

### Recommended Guideline:

Temperature	Design Load Multiplier
75°F (24°C)	100%
100°F (38°C)	90%
125°F (52°C)	78%
150°F (66°C)	68%
175°F (79°C)	60%
200°F (93°C)	52%

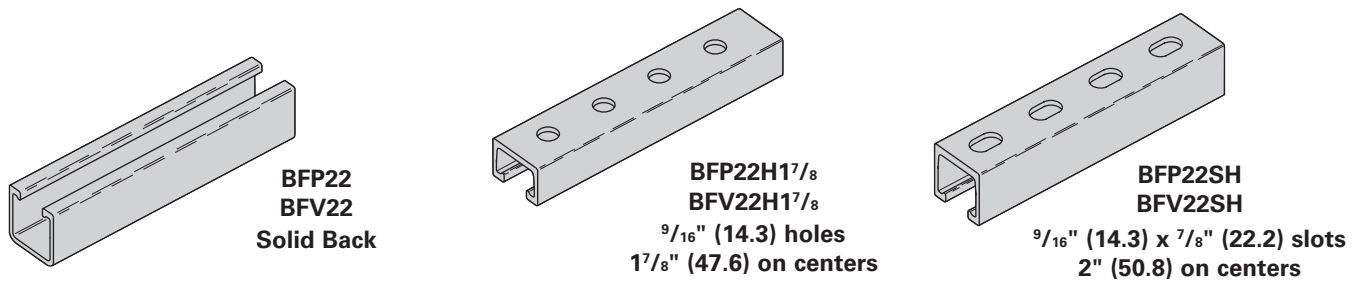
Flame Retardant Properties	BFP	BFV
Flame Resistance (FTMS 406-2023) ign/burn, seconds	75/75	75/75
Intermittent Flame Test (HLT-15), rating	100	100
Flammability Test (ASTM D635) Ignition Burning Time	none 0 sec.	none 0 sec.
Surface Burning Characteristics (ASTM E84), Flame spread index	25	25
UL 94 Flame Class	V-0	V-0

Reference page 224 for general fitting specifications.

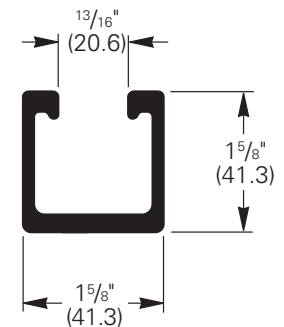
# Fiberglass

## BFP22 THRU BFV22SH

- Channel lengths: 10 Ft. (3.05 m) and 20 Ft. (6.09 m)
- Fiberglass strut meets specification of ASTM D-4385 Levels III and IV.



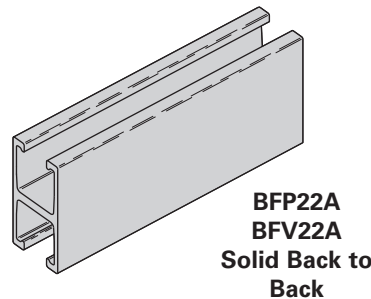
Part No.	Material	Description	Color	Weight Lbs./ft. kg/m	
<b>BFP22*</b>	Polyester Resin	Solid Back	Gray	.63	(.94)
<b>BFV22*</b>	Vinyl Ester Resin	Solid Back	Beige	.63	(.94)
<b>BFP22H1<sup>7/8</sup>*</b>	Polyester Resin	Holes in Back	Gray	.60	(.89)
<b>BFV22H1<sup>7/8</sup>*</b>	Vinyl Ester Resin	Holes in Back	Beige	.60	(.89)
<b>BFP22SH*</b>	Polyester Resin	Slots in Back	Gray	.61	(.91)
<b>BFV22SH*</b>	Vinyl Ester Resin	Slots in Back	Beige	.61	(.91)



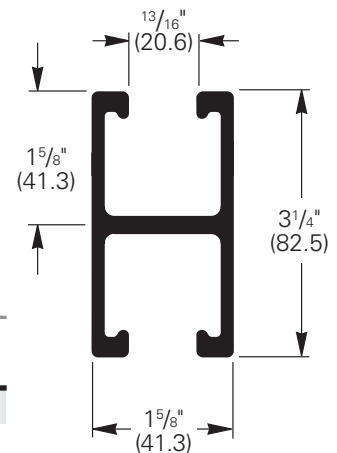
\* Insert -10 for 10'-0" (3.05 m) length or -20 for 20'-0" (6.09 m) length

## BFP22A BFV22A

- Channel Lengths: 10 Ft. (3.05 m) and 20 Ft. (6.09 m)
- Fiberglass strut meets specification of ASTM D-4385 Levels III and IV.



Part No.	Material	Description	Color	Weight Lbs./ft. kg/m	
<b>BFP22A*</b>	Polyester Resin	Back To Back	Gray	1.15	(1.71)
<b>BFV22A*</b>	Vinyl Ester Resin	Back To Back	Beige	1.15	(1.71)



\* Insert -10 for 10'-0" (3.05 m) length or -20 for 20'-0" (6.09 m) length

### Field Cutting Sealant Kits

#### RSK010

- Pint Sealing Kit (473 cm<sup>3</sup>) includes sealant and brush applicator
- Seals exposed fibers after field cutting
- UV resistant



**APPROPRIATE PROTECTIVE CLOTHING AND RESPIRATORY PROTECTION DEVICE SHOULD BE WORN WHEN FIELD CUTTING OR GRINDING FIBERGLASS.**

Published design loads on page 227 are based on usage at 70°F (21°C) and must be reduced for continuous exposure to higher temperatures. Refer to the chart below for high temperature applications.

Temperature	Design Load Multiplier
75°F (24°C)	100%
100°F (38°C)	90%
125°F (52°C)	78%
150°F (66°C)	68%
175°F (79°C)	60%
200°F (93°C)	52%

Reference page 224 for general fitting specifications.

## Beam Loading Data for Glass Reinforced Polyester Resin

Beam Span in. mm		Part No.	Maximum Allowable Beam Load		Deflection @ Maximum Allowable Beam Load		Allowable Load @ Deflection =			
			Lbs.	kN	in.	mm	1/240 Span		1/360 Span	
							Lbs.	kN	Lbs.	kN
12"	(305)	<b>BFP22</b>	1781	(7.92)	0.064	(1.62)	1392	(6.19)	928	(4.13)
		<b>BFP22A</b>	2259	(10.05)	0.037	(.94)	2259	(10.05)	2051	(9.12)
24"	(609)	<b>BFP22</b>	890	(3.96)	0.256	(6.50)	347	(1.54)	231	(1.03)
		<b>BFP22A</b>	1127	(5.01)	0.147	(3.73)	767	(3.41)	511	(2.27)
36"	(914)	<b>BFP22</b>	592	(2.63)	0.576	(14.63)	153	(0.68)	101	(0.45)
		<b>BFP22A</b>	750	(3.33)	0.330	(8.38)	338	(1.50)	224	(0.99)
48"	(1219)	<b>BFP22</b>	443	(1.97)	1.024	(26.01)	85	(0.38)	55	(0.24)
		<b>BFP22A</b>	560	(2.49)	0.587	(14.91)	188	(0.83)	123	(0.55)
60"	(1524)	<b>BFP22</b>	353	(1.57)	1.600	(40.64)	53	(0.23)	34	(0.15)
		<b>BFP22A</b>	446	(1.98)	0.918	(23.32)	117	(0.52)	76	(0.34)
72"	(1829)	<b>BFP22</b>	293	(1.30)	2.303	(58.49)	35	(0.15)	22	(0.10)
		<b>BFP22A</b>	370	(1.64)	1.322	(33.58)	78	(0.34)	50	(0.22)
96"	(2438)	<b>BFP22</b>	218	(0.97)	4.095	(104.01)	17	(0.07)	9	(0.04)
		<b>BFP22A</b>	273	(1.21)	2.350	(59.69)	39	(0.17)	23	(0.10)
120"	(3048)	<b>BFP22</b>	172	(0.76)	6.398	(162.51)	8	(0.03)	3	(0.01)
		<b>BFP22A</b>	214	(0.95)	3.671	(93.24)	19	(0.08)	9	(0.04)

## Beam Loading Data for Glass Reinforced Vinyl Ester Resin

Beam Span in. mm		Part No.	Maximum Allowable Beam Load		Deflection @ Maximum Allowable Beam Load		Allowable Load @ Deflection =			
			Lbs.	kN	in.	mm	1/240 Span		1/360 Span	
							Lbs.	kN	Lbs.	kN
12"	(305)	<b>BFV22</b>	2220	(9.87)	0.071	(1.80)	1568	(6.97)	1045	(4.65)
		<b>BFV22A</b>	6442	(28.65)	0.039	(0.99)	6442	(29.65)	5549	(24.68)
24"	(609)	<b>BFV22</b>	1109	(4.93)	0.283	(7.19)	391	(1.74)	260	(1.15)
		<b>BFV22A</b>	3219	(14.32)	0.155	(3.94)	2079	(9.25)	1385	(6.16)
36"	(914)	<b>BFV22</b>	738	(3.28)	0.637	(16.18)	172	(0.76)	114	(0.51)
		<b>BFV22A</b>	2144	(9.53)	0.348	(8.84)	922	(4.10)	613	(2.72)
48"	(1219)	<b>BFV22</b>	553	(2.46)	1.133	(28.78)	96	(0.43)	63	(0.28)
		<b>BFV22A</b>	1606	(7.14)	0.619	(15.72)	516	(2.29)	342	(1.52)
60"	(1524)	<b>BFV22</b>	441	(1.96)	1.770	(44.96)	60	(0.26)	39	(0.17)
		<b>BFV22A</b>	1283	(5.70)	0.967	(24.56)	327	(1.45)	216	(0.96)
72"	(1829)	<b>BFV22</b>	366	(1.63)	2.549	(64.74)	40	(0.18)	25	(0.11)
		<b>BFV22A</b>	1067	(4.74)	1.393	(35.38)	224	(0.99)	147	(0.65)
96"	(2438)	<b>BFV22</b>	273	(1.21)	4.531	(115.09)	19	(0.08)	11	(0.05)
		<b>BFV22A</b>	796	(3.54)	2.477	(62.91)	121	(0.54)	78	(0.34)
120"	(3048)	<b>BFV22</b>	216	(0.96)	7.079	(179.80)	9	(0.04)	7	(0.02)
		<b>BFV22A</b>	633	(2.81)	3.870	(98.30)	72	(0.32)	44	(0.19)

## Loading Information

### Beam Loads:

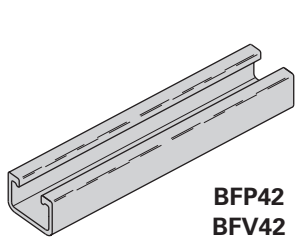
The above charts list the total allowable uniform load for various simple spans based on a minimum safety factor of 2. If the load is concentrated at center span, multiply the load from the above charts by 0.5 and the corresponding deflection by 0.8. All beams should be supported in a manner to prevent rotation at supports. Long, deep beams should be tied between supports to prevent twist. For channels with holes or slots use 90% of recommended load shown in channel loading chart.

Reference page 224 for general fitting specifications.

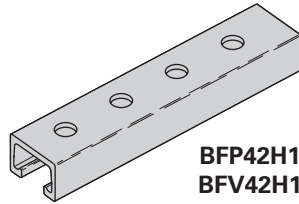
# Fiberglass

## BFP42 thru BFV42SH

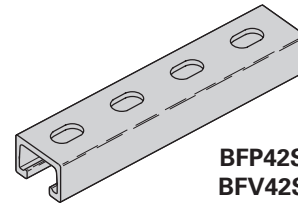
- Channel lengths: 10 Ft. (3.05 m) and 20 Ft. (6.09 m)
- Fiberglass strut meets specification of ASTM D-4385 Levels III and IV.



**BFP42  
BFV42  
Solid Back**

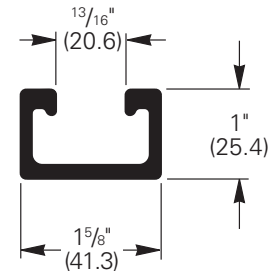


**BFP42H1<sup>7/8</sup>  
BFV42H1<sup>7/8</sup>  
9/16" (14.3) holes  
1 7/8" (47.6) on centers**



**BFP42SH  
BFV42SH  
9/16" (14.3) x 7/8" (22.2) slots  
2" (50.8) on centers**

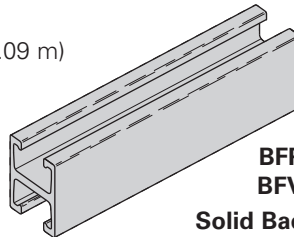
Part No.	Material	Description	Color	Weight Lbs./ft. kg/m
<b>BFP42*</b>	Polyester Resin	Solid Back	Gray	.48 (.71)
<b>BFV42*</b>	Vinyl Ester Resin	Solid Back	Beige	.48 (.71)
<b>BFP42H1<sup>7/8</sup>*</b>	Polyester Resin	Holes in Back	Gray	.46 (.68)
<b>BFV42H1<sup>7/8</sup>*</b>	Vinyl Ester Resin	Holes in Back	Beige	.46 (.68)
<b>BFP42SH*</b>	Polyester Resin	Slots in Back	Gray	.47 (.70)
<b>BFV42SH*</b>	Vinyl Ester Resin	Slots in Back	Beige	.47 (.70)



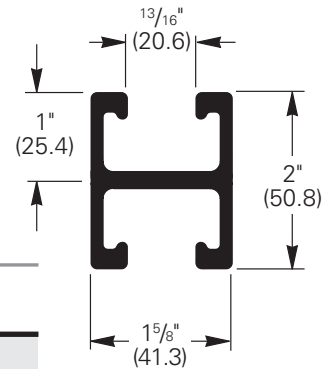
\* Insert -10 for 10'-0" (3.05 m) length or -20 for 20'-0" (6.09 m) length

## BFP42A BFV42A

- Channel lengths: 10 Ft. (3.05 m) and 20 Ft. (6.09 m)
- Fiberglass strut meets specification of ASTM D-4385 Levels III and IV.



**BFP42A  
BFV42A  
Solid Back to Back**



Part No.	Material	Description	Color	Weight Lbs./ft. kg/m
<b>BFP42A*</b>	Polyester Resin	Back To Back	Gray	.85 (1.26)
<b>BFV42A*</b>	Vinyl Ester Resin	Back To Back	Beige	.85 (1.26)

\* Insert -10 for 10'-0" (3.05 m) length or -20 for 20'-0" (6.09 m) length

Published design loads on page 229 are based on usage at 70°F (21°C) and must be reduced for continuous exposure to higher temperatures. Refer to the chart below for high temperature applications.

## Field Cutting Sealant Kits

### RSK010

- Pint Sealing Kit (473 cm<sup>3</sup>) includes sealant and brush applicator
- Seals exposed fibers after field cutting
- UV resistant



**APPROPRIATE PROTECTIVE CLOTHING AND RESPIRATORY PROTECTION DEVICE SHOULD BE WORN WHEN FIELD CUTTING OR GRINDING FIBERGLASS.**

Temperature	Design Load Multiplier
75°F (24°C)	100%
100°F (38°C)	90%
125°F (52°C)	78%
150°F (66°C)	68%
175°F (79°C)	60%
200°F (93°C)	52%

Reference page 224 for general fitting specifications.

## Beam Loading Data for Glass Reinforced Polyester Resin

Beam Span		Part No.	Maximum Allowable Beam Load		Deflection @ Maximum Allowable Beam Load	Allowable Load @ Deflection =				
in.	mm		Lbs.	kN		in.	mm	1/240 Span Lbs.	kN	1/360 Span Lbs.
12"	(305)	<b>BFP42</b>	841	(3.74)	0.104	(2.64)	403	(1.79)	269	(1.19)
		<b>BFP42A</b>	2325	(10.34)	0.060	(1.52)	1948	(8.66)	1299	(5.78)
24"	(609)	<b>BFP42</b>	420	(1.87)	0.417	(10.59)	100	(0.44)	66	(0.29)
		<b>BFP42A</b>	1161	(5.16)	0.239	(6.07)	486	(2.16)	323	(1.43)
36"	(914)	<b>BFP42</b>	279	(1.24)	0.938	(23.82)	43	(0.19)	29	(0.13)
		<b>BFP42A</b>	773	(3.44)	0.537	(13.64)	214	(0.95)	142	(0.63)
48"	(1219)	<b>BFP42</b>	208	(0.92)	1.667	(42.34)	23	(0.10)	15	(0.06)
		<b>BFP42A</b>	578	(2.57)	0.955	(24.26)	119	(0.53)	78	(0.34)
60"	(1524)	<b>BFP42</b>	166	(0.74)	2.604	(66.14)	14	(0.06)	8	(0.03)
		<b>BFP42A</b>	461	(2.05)	1.491	(37.87)	74	(0.33)	48	(0.21)
72"	(1829)	<b>BFP42</b>	137	(0.61)	3.750	(95.25)	8	(0.03)	5	(0.02)
		<b>BFP42A</b>	383	(1.70)	2.148	(54.56)	49	(0.22)	31	(0.14)
96"	(2438)	<b>BFP42</b>	101	(0.45)	6.667	(169.34)	3	(0.01)	–	–
		<b>BFP42A</b>	284	(1.26)	3.818	(96.98)	24	(0.10)	14	(0.04)
120"	(3048)	<b>BFP42</b>	79	(0.35)	10.417	(264.59)	–	–	–	–
		<b>BFP42A</b>	224	(0.99)	5.966	(151.53)	11	(0.05)	5	(0.02)

## Beam Loading Data for Glass Reinforced Vinyl Ester Resin

Beam Span		Part No.	Maximum Allowable Beam Load		Deflection @ Maximum Allowable Beam Load	Allowable Load @ Deflection =				
in.	mm		Lbs.	kN		in.	mm	1/240 Span Lbs.	kN	1/360 Span Lbs.
12"	(305)	<b>BFV42</b>	988	(4.39)	0.112	(2.84)	440	(1.96)	293	(1.30)
		<b>BFV42A</b>	2865	(12.74)	0.063	(1.60)	2278	(10.13)	1518	(6.75)
24"	(609)	<b>BFV42</b>	493	(2.19)	0.448	(11.38)	109	(0.48)	73	(0.32)
		<b>BFV42A</b>	1431	(6.36)	0.252	(6.40)	568	(2.52)	378	(1.68)
36"	(914)	<b>BFV42</b>	328	(1.46)	1.009	(25.63)	48	(0.21)	31	(0.14)
		<b>BFV42A</b>	953	(4.24)	0.566	(14.37)	251	(1.11)	166	(0.74)
48"	(1219)	<b>BFV42</b>	245	(1.09)	1.793	(45.54)	26	(0.11)	16	(0.07)
		<b>BFV42A</b>	713	(3.17)	1.006	(25.55)	139	(0.62)	92	(0.41)
60"	(1524)	<b>BFV42</b>	195	(0.87)	2.802	(71.17)	15	(0.06)	9	(0.04)
		<b>BFV42A</b>	569	(2.53)	1.572	(39.93)	87	(0.38)	57	(0.25)
72"	(1829)	<b>BFV42</b>	162	(0.72)	4.035	(102.49)	9	(0.04)	5	(0.02)
		<b>BFV42A</b>	473	(2.10)	2.264	(57.50)	58	(0.26)	37	(0.16)
96"	(2438)	<b>BFV42</b>	120	(0.53)	7.173	(182.19)	3	(0.01)	1	(0.004)
		<b>BFV42A</b>	351	(1.56)	4.025	(102.23)	29	(0.13)	17	(0.07)
120"	(3048)	<b>BFV42</b>	94	(0.42)	11.207	(284.66)	–	–	–	–
		<b>BFV42A</b>	278	(1.23)	6.288	(159.71)	14	(0.06)	7	(0.03)

### Loading Information

#### Beam Loads:

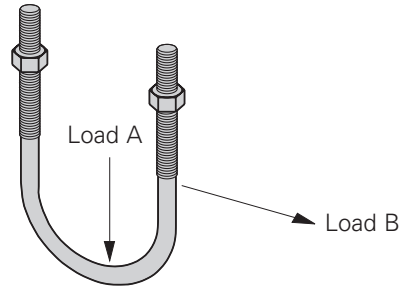
The above charts list the total allowable uniform load for various simple spans based on a minimum safety factor of 2. If the load is concentrated at center span, multiply the load from the above charts by 0.5 and the corresponding deflection by 0.8. All beams should be supported in a manner to prevent rotation at supports. Long, deep beams should be tied between supports to prevent twist. For channels with holes or slots use 90% of recommended load shown in channel loading chart.

Reference page 224 for general fitting specifications.

# Fiberglass

## BFV501 Series U-Bolts with Hex Nuts

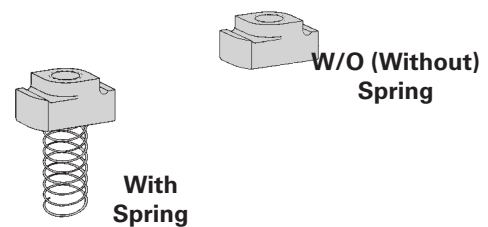
- Design Load Safety Factor of 3
- Load A: Straight down loading
- Load B: Side loading
- Inner surface of U-Bolt is flat to provide additional contact surface area
- Material: Glass reinforced polyurethane



Part No.	Nominal Pipe Size		Thread Size	Design Load A		Design Load B		Maximum Torque in.-Lbs. N•m	Wt./C	
	in.	mm		Lbs.	kN	Lbs.	kN		Lbs.	kg
BFV501-1/2	1/2	(15)	3/8"-16	300	(1.33)	150	(.67)	30	(3.4)	3.5 (1.59)
BFV501-3/4	3/4	(20)	3/8"-16	300	(1.33)	150	(.67)	30	(3.4)	3.9 (1.77)
BFV501-1	1	(25)	3/8"-16	300	(1.33)	150	(.67)	30	(3.4)	4.4 (1.99)
BFV501-1 1/4	1 1/4	(32)	3/8"-16	300	(1.33)	150	(.67)	30	(3.4)	4.8 (2.18)
BFV501-1 1/2	1 1/2	(40)	3/8"-16	300	(1.33)	150	(.67)	30	(3.4)	5.2 (2.36)
BFV501-2	2	(50)	1/2"-13	600	(2.67)	200	(.89)	60	(6.8)	7.7 (3.49)
BFV501-2 1/2	2 1/2	(65)	1/2"-13	600	(2.67)	200	(.89)	60	(6.8)	10.2 (4.63)
BFV501-3	3	(80)	1/2"-13	600	(2.67)	200	(.89)	60	(6.8)	12.6 (5.71)
BFV501-3 1/2	3 1/2	(90)	1/2"-13	600	(2.67)	200	(.89)	60	(6.8)	15.1 (6.85)
BFV501-4	4	(100)	1/2"-13	600	(2.67)	200	(.89)	60	(6.8)	17.6 (7.98)

## Channel Nuts

- Design Load Safety Factor of 3
- Overall Nut Height 5/8" (15.9)
- Maximum torque and slip resistance loads shown are when using stainless steel bolts. When using fiberglass hardware use Max. Torque for fiberglass bolts, and multiply slip resistance loads by .14 for 3/8"-16 and .60 for 1/2"-13 thread size.
- Material: Glass reinforced polyurethane
- Spring Material: Zinc plated steel



Part No.		Thread Size	Pull-Out		Slip Resistance		Max. Torque in.-Lbs. N•m	Wt./C	
With Spring	W/O Spring		Lbs.	kN	Lbs.	N		Lbs.	kg
BFV-224	BFV-224WO	1/4"-20	300	(1.33)	150	(.67)	200	(22.6)	2.4 (1.09)
BFV-223	BFV-223WO	5/16"-18	300	(1.33)	150	(.67)	200	(22.6)	2.5 (1.13)
BFV-228	BFV-228WO	3/8"-16	300	(1.33)	150	(.67)	200	(22.6)	2.3 (1.04)
BFV-225	BFV-225WO	1/2"-13	300	(1.33)	150	(.67)	200	(22.6)	2.1 (0.95)

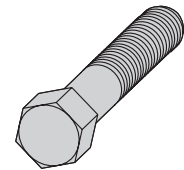
Reference page 224 for general fitting specifications.



## BFVHHCS Hex Head Cap Screws

- Design Load Safety Factor of 3
- Material: Glass reinforced polyurethane

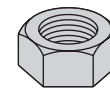
Part No.	Thread Size	Design Load (in tension)		Max. Torque		Wt./C	
		Lbs.	kN	in.-Lbs.	N•m	Lbs.	kg
BFVHHCS 5/16 x 1	5/16"-18	190	(.84)	30	(3.4)	.4	(.18)
BFVHHCS 5/16 x 1 1/4	5/16"-18	190	(.84)	30	(3.4)	.5	(.23)
BFVHHCS 5/16 x 1 1/2	5/16"-18	190	(.84)	30	(3.4)	.6	(.27)
BFVHHCS 5/16 x 2	5/16"-18	190	(.84)	30	(3.4)	.8	(.36)
BFVHHCS 3/8 x 1	3/8"-16	300	(1.33)	45	(5.1)	.9	(.41)
BFVHHCS 3/8 x 1 1/4	3/8"-16	300	(1.33)	45	(5.1)	1.1	(.50)
BFVHHCS 3/8 x 1 1/2	3/8"-16	300	(1.33)	45	(5.1)	1.3	(.59)
BFVHHCS 3/8 x 2	3/8"-16	300	(1.33)	45	(5.1)	1.3	(.59)
BFVHHCS 3/8 x 2 1/2	3/8"-16	300	(1.33)	45	(5.1)	1.5	(.68)
BFVHHCS 1/2 x 1	1/2"-13	490	(2.18)	110	(12.4)	1.4	(.63)
BFVHHCS 1/2 x 1 1/4	1/2"-13	490	(2.18)	110	(12.4)	1.8	(.81)
BFVHHCS 1/2 x 1 1/2	1/2"-13	490	(2.18)	110	(12.4)	2.2	(1.00)
BFVHHCS 1/2 x 2	1/2"-13	490	(2.18)	110	(12.4)	3.0	(1.36)
BFVHHCS 1/2 x 2 1/2	1/2"-13	490	(2.18)	110	(12.4)	3.7	(1.68)
BFVHHCS 1/2 x 3	1/2"-13	490	(2.18)	110	(12.4)	4.5	(2.04)



## BFVHN Hex Nuts

- 3/4" & 1" sizes are available. Contact inside sales for details
- Material: Glass reinforced polyurethane

Part No.	Thread Size	Nut Thickness		Wt./C	
		in.	mm	Lbs.	kg
BFVHN 5/16	5/16"-18	17/64	(6.7)	.2	(.09)
BFVHN 3/8	3/8"-16	21/64	(8.3)	.3	(.13)
BFVHN 1/2	1/2"-13	7/16	(11.1)	.7	(.32)
BFVHN 5/8	5/8"-11	35/64	(13.9)	1.4	(.63)

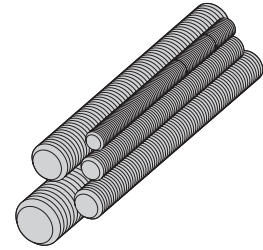


Reference page 224 for general fitting specifications.

# Fiberglass

## BFVATR All Threaded Rod

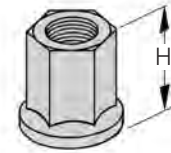
- Design Load Safety Factor of 3
- Design Load can be increased by 40% if a second ATR nut is used.
- Use ATR nuts in place of hex nuts with  $\frac{3}{8}$ "-16 and  $\frac{1}{2}$ "-13 threaded rod in order to obtain minimum required thread engagement of  $\frac{17}{32}$ " (13.5) to obtain design load shown below.
- Material: Glass reinforced vinyl ester



Part No.	Thread Size	Design Load (in tension)		Max. Torque		Wt./Ft.	
		Lbs.	kN	in.-Lbs.	N•m	Lbs.	kg
BFVATR $\frac{3}{8}$ x 48"	$\frac{3}{8}$ "-16	350	(1.55)	48	(5.4)	.08	(.04)
BFVATR $\frac{1}{2}$ x 48"	$\frac{1}{2}$ "-13	650	(2.89)	96	(10.8)	.13	(.06)
BFVATR $\frac{5}{8}$ x 48"	$\frac{5}{8}$ "-11	1000	(4.45)	192	(21.7)	.21	(.09)

## BFVATRHN Threaded Rod Nuts

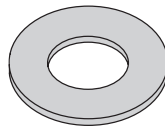
- ATR Nut is required with  $\frac{3}{8}$ "-16 and  $\frac{1}{2}$ "-13 ATR to provide additional thread engagement which is critical to ATR load carrying capacity.
- Material: Glass reinforced polyurethane



Part No.	Thread Size	H		Wt./C	
		in.	mm	Lbs.	kg
BFVATRHN $\frac{3}{8}$	$\frac{3}{8}$ "-16	$\frac{3}{4}$	(19)	.8	(.36)
BFVATRHN $\frac{1}{2}$	$\frac{1}{2}$ "-13	$\frac{7}{8}$	(22)	1.7	(.77)

## BFVFW Flat Washers

- Material: PVC



Part No.	Hole Size in.	Wt./C	
		Lbs.	kg
BFVFW $\frac{3}{8}$	$\frac{3}{8}$	.5	(.22)
BFVFW $\frac{1}{2}$	$\frac{1}{2}$	.5	(.22)
BFVFW $\frac{5}{8}$	$\frac{5}{8}$	.5	(.22)
BFVFW $\frac{3}{4}$	$\frac{3}{4}$	.5	(.22)
BFVFW 1	1	.5	(.22)

## BFV655 Series Rod Couplings

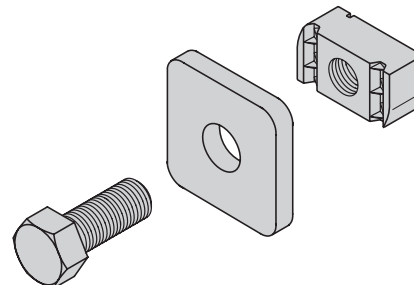
- Material: Glass reinforced polyurethane



Part No.	Thread Size	Wt./C	
		Lbs.	kg
BFV655- $\frac{3}{8}$	$\frac{3}{8}$ "-16	7.4	(3.35)
BFV655- $\frac{1}{2}$	$\frac{1}{2}$ "-13	11.3	(5.12)
BFV655- $\frac{5}{8}$	$\frac{5}{8}$ "-11	16.7	(7.57)

## BFVSL Series Stop-Lock Kits

- Material: Glass Reinforced Polyurethane

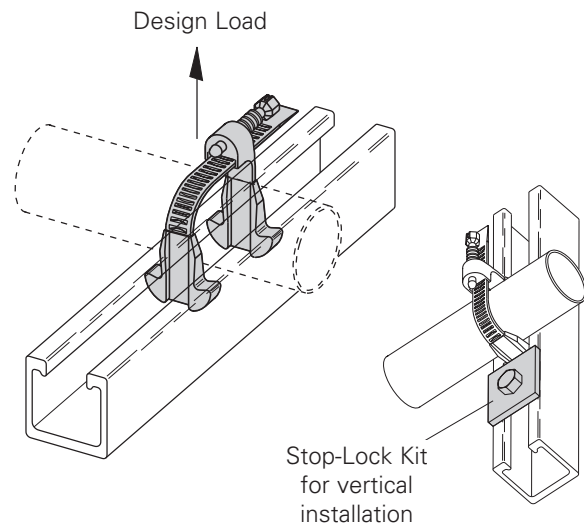


Part No.	Thread Size	Wt./C	
		Lbs.	kg
BFVSL- $\frac{3}{8}$	$\frac{3}{8}$ "-16	7.4	(3.35)
BFVSL- $\frac{1}{2}$	$\frac{1}{2}$ "-13	11.3	(5.12)

Reference page 224 for general fitting specifications.

## BFV100 thru BFV300 Adjustable Pipe Clamps

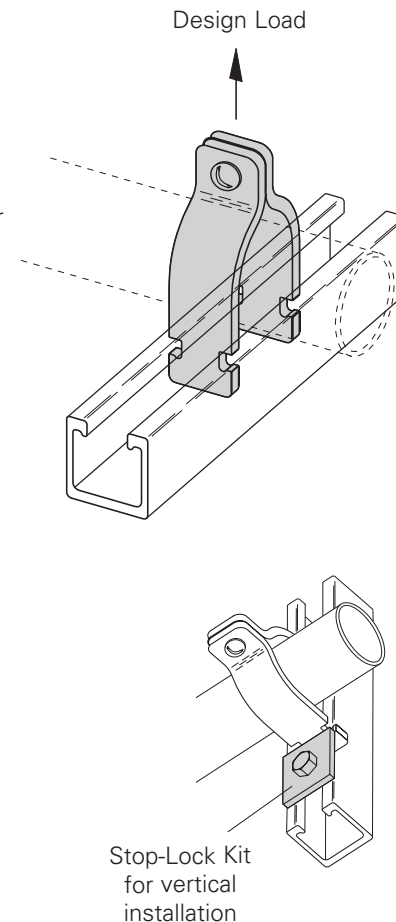
- Completely Non-Metallic
- Adjustable to U.S. & Metric pipe diameters
- Fits OD Sizes  $\frac{3}{4}$ " (19.0) to  $3\frac{1}{2}$ " (88.9)
- Easy To Install
- No special tools required
- Design Load Safety Factor of 3
- Material: Glass reinforced polyurethane
- Not recommended for vertical installation without additional Stop-Lock Kit. Kit includes one square washer, channel nut and hex head cap screw. Order (Stop-Lock Kit on page 232) BFVSL- $\frac{3}{8}$  for  $\frac{3}{8}$ "-16 hardware or BFVSL- $\frac{1}{2}$  for  $\frac{1}{2}$ "-13 hardware. Mount kit below clamp when used in vertical strut to prevent clamp slipping.



Part No.	Nominal Pipe Sizes		Pipe O.D. Range		Design Load		Max. Torque	
	in.	mm	in.	mm	Lbs.	kN	in.-Lbs.	N•m
<b>BFV100</b>	$\frac{1}{2}$ - $1\frac{1}{2}$	(15 - 40)	.75 - 1.90	(21.3 - 48.3)	135	(.60)	10	(1.13)
<b>BFV200</b>	$1\frac{1}{2}$ - 2	(40 - 51)	1.90 - 2.37	(48.3 - 60.3)	135	(.60)	36	(4.07)
<b>BFV300</b>	$2\frac{1}{2}$ - 3	(63 - 76)	2.87 - 3.50	(73.0 - 88.9)	145	(.64)	36	(4.07)

## BFV2000 Series Non-Metallic Pipe Clamps

- For rigid and PVC conduit.
- Standard hardware includes slotted round head machine screw and square nut in 316 stainless steel
- Design Load Safety Factor of 3
- Material: Glass reinforced PPO
- Not recommended for vertical installation without additional Stop-Lock Kit. Kit includes one square washer, channel nut and hex head cap screw. Order (Stop-Lock Kit on page 232) BFVSL- $\frac{3}{8}$  for  $\frac{3}{8}$ "-16 hardware or BFVSL- $\frac{1}{2}$  for  $\frac{1}{2}$ "-13 hardware. Mount kit below clamp when used in vertical strut to prevent clamp slipping.
- If non-metallic hardware is required, add N to the part number.  
**Example: BFV2008N**



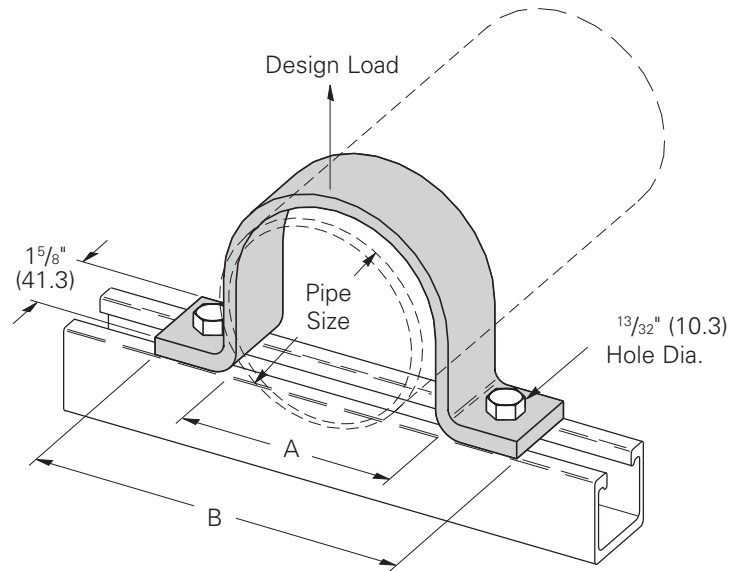
Part No.	Nominal Pipe Size		Design Load		Maximum Torque	
	in.	mm	Lbs.	kN	in.-Lbs.	N•m
<b>BFV2008</b>	$\frac{1}{2}$	(15)	300	(1.33)	10	(1.13)
<b>BFV2009</b>	$\frac{3}{4}$	(20)	300	(1.33)	10	(1.13)
<b>BFV2010</b>	1	(25)	300	(1.33)	10	(1.13)
<b>BFV2011</b>	$1\frac{1}{4}$	(32)	300	(1.33)	10	(1.13)
<b>BFV2012</b>	$1\frac{1}{2}$	(40)	300	(1.33)	10	(1.13)
<b>BFV2013</b>	2	(50)	300	(1.33)	10	(1.13)
<b>BFV2014</b>	$2\frac{1}{2}$	(65)	300	(1.33)	10	(1.13)
<b>BFV2015</b>	3	(80)	300	(1.33)	10	(1.13)
<b>BFV2016</b>	$3\frac{1}{2}$	(90)	300	(1.33)	10	(1.13)
<b>BFV2017</b>	4	(100)	300	(1.33)	10	(1.13)

Reference page 224 for general fitting specifications.

# Fiberglass

## BFP2400 Series 2-Hole Pipe Clamps

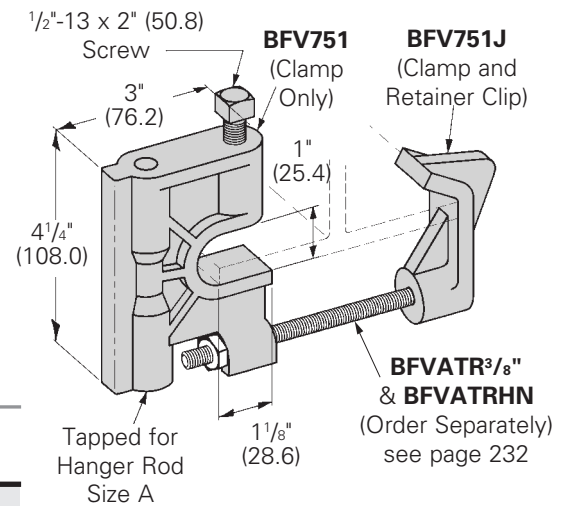
- Design Load Safety Factor of 3
- Material: Glass reinforced polyester



Part No.	Nominal Pipe Size		A		B		Design Load	
	in.	mm	in.	mm	in.	mm	Lbs.	kN
<b>BFP2400-2</b>	2	(50)	2 <sup>3</sup> / <sub>8</sub>	(60)	5 <sup>1</sup> / <sub>2</sub>	(140)	115	(0.51)
<b>BFP2400-3</b>	3	(80)	3 <sup>1</sup> / <sub>2</sub>	(89)	6 <sup>3</sup> / <sub>4</sub>	(171)	130	(0.58)
<b>BFP2400-4</b>	4	(100)	4 <sup>1</sup> / <sub>2</sub>	(114)	7 <sup>3</sup> / <sub>4</sub>	(197)	150	(0.66)
<b>BFP2400-6</b>	6	(150)	6 <sup>5</sup> / <sub>8</sub>	(168)	10	(254)	150	(0.66)

## BFV751 & BFV751J Beam Clamp

- Design Load Safety Factor of 3
- BFV751J (clip included) must be used when installed on tapered flange beams.
- Material: Glass reinforced polyurethane
- Setscrew material: Stainless Steel 316 ASTM F593 Group 2, S4

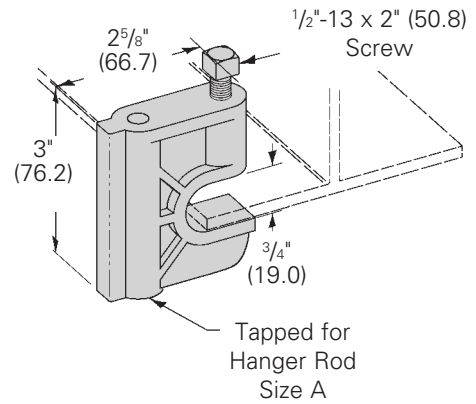


Part No.	For Hanger Rod Size A	Design Load Lbs. kN	Torque ft.-Lbs. N•m
<b>BFV751-3/8</b>	3/8"-16	500 (2.22)	10 (13)
<b>BFV751J-3/8</b>	3/8"-16	500 (2.22)	10 (13)
<b>BFV751-1/2</b>	1/2"-13	500 (2.22)	10 (13)
<b>BFV751J-1/2</b>	1/2"-13	500 (2.22)	10 (13)
<b>BFV751-5/8</b>	5/8"-11	500 (2.22)	10 (13)
<b>BFV751J-5/8</b>	5/8"-11	500 (2.22)	10 (13)

Reference page 224 for general fitting specifications.

## BFV755 Beam Clamp

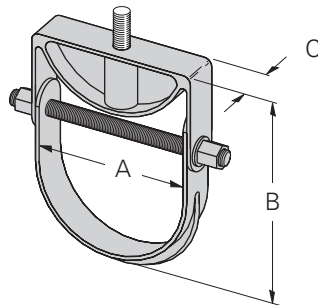
- Design Load Safety Factor of 3
- Material: Glass reinforced polyurethane
- Setscrew material: Stainless Steel 316 ASTM F593 Group 2, S4



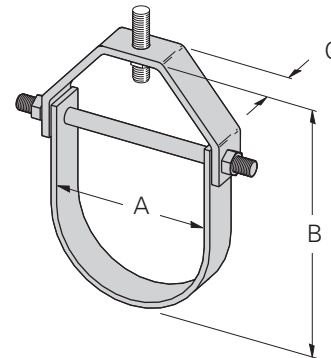
Part No.	For Hanger Rod Size A	Design Load Lbs. kN	Torque ft.-Lbs. N•m
BFV755-3/8	3/8"-16	400 (1.78)	10 (13)
BFV755-1/2	1/2"-13	400 (1.78)	10 (13)

## BFV3104 Series Clevis Hangers

- Design Load Safety Factor of 3 at 120°F (49°C).
- Insulation may be required at higher temperatures.
- Order hanger rod and nuts separately.
- Material: Glass reinforced polyurethane for BFV3104-1 thru BFV3104-6
- Material: Glass reinforced polyester & vinyl ester for BFV3104-8 thru BFV3104-12



BFV3104-1 thru BFV3104-6



BFV3104-8 thru BFV3104-12

Part No.	Nominal Pipe Size		A		B		C	Hanger Rod Size	Design Load	
	in.	mm	in.	mm	in.	mm			Lbs.	kN
BFV3104-1	1	(50)	1 1/2	(38)	4 1/4	(108)	1 1/4	(32)	1/2"-13	670 (2.98)
BFV3104-1 1/2	1 1/2	(65)	2	(51)	5 1/8	(130)	1 1/4	(32)	1/2"-13	670 (2.98)
BFV3104-2	2	(50)	2 1/2	(63)	6 1/2	(165)	1 1/4	(32)	1/2"-13	730 (3.25)
BFV3104-2 1/2, 3, 4	2 1/2-4	(65-100)	5 1/8	(130)	10	(254)	1 1/2	(38)	1/2"-13	1150 (5.11)
BFV3104-6	6	(150)	6 3/4	(171)	12 5/16	(313)	2	(51)	1/2"-13	1170 (5.20)

Part No.	Nominal Pipe Size		A		B		C	Hanger Rod Size	Design Load	
	in.	mm	in.	mm	in.	mm			Lbs.	kN
BF*3104-8	8	(200)	9 1/4	(235)	16 5/8	(422)	3	(76)	5/8"-11	350 (1.55)
BF*3104-10	10	(250)	11 3/8	(289)	19 7/8	(505)	4	(101)	5/8"-11	450 (2.01)
BF*3104-12	12	(300)	13 1/2	(343)	22 3/8	(568)	5	(127)	5/8"-11	600 (2.69)

\*Specify P for polyester or V for Vinyl ester.

Reference page 224 for general fitting specifications.

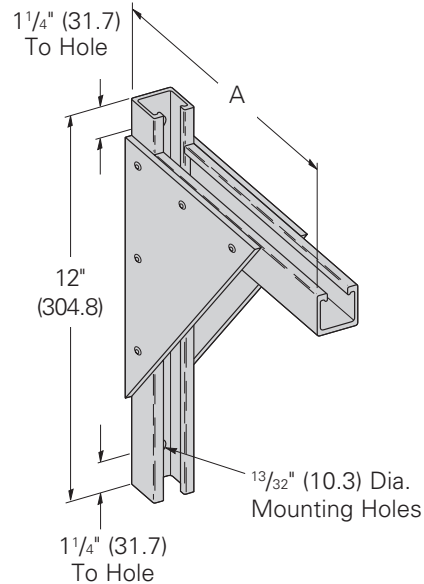
# Fiberglass

## BF\*409 Series Brackets 6" (152mm) to 24" (609mm) Long

- Design Load Safety Factor of 3 based on uniform loading
- MH1 - From top of bracket to center of mounting hole
- MH2 - From bottom of bracket to center of mounting hole

Part No.	A		Design Load	
	in.	mm	Lbs.	kN
<b>BF*409-6</b>	10	(250)	1400	(6.22)
<b>BF*409-9</b>	13	(330)	1000	(4.45)
<b>BF*409-12</b>	16	(406)	800	(3.56)
<b>BF*409-18</b>	22	(559)	675	(3.00)
<b>BF*409-24</b>	28	(711)	450	(2.00)

\* Insert P for Glass Reinforced Polyester Resin or V for Glass Reinforced Vinyl Ester Resin

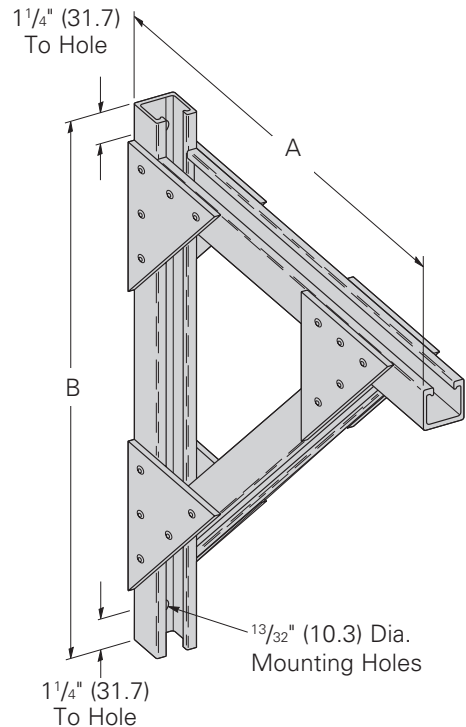


## BF\*494 Series Brackets 24" (609mm) to 36" (914mm) Long

- Design Load Safety Factor of 3 based on uniform loading
- MH1 - From top of bracket to center of mounting hole
- MH2 - From bottom of bracket to center of mounting hole
- Material: Glass reinforced vinyl ester or polyester

Part No.	A		B		Design Load	
	in.	mm	in.	mm	Lbs.	kN
<b>BF*494-24</b>	28	(711)	23	(584)	750	(3.33)
<b>BF*494-30</b>	34	(863)	26	(660)	750	(3.33)
<b>BF*494-36</b>	40	(1016)	29	(736)	750	(3.33)

\* Insert P for glass reinforced polyester resin or V for glass reinforced vinyl ester resin

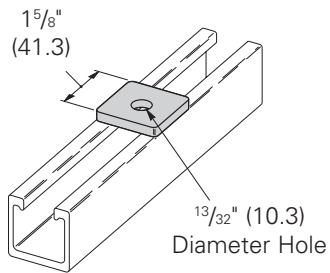


Reference page 224 for general fitting specifications.



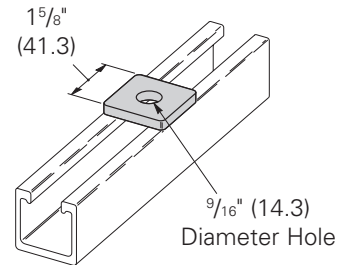
**BFV201**  
**Square Washer for 3/8" bolt**

- Material: Injection molded glass reinforced polyurethane



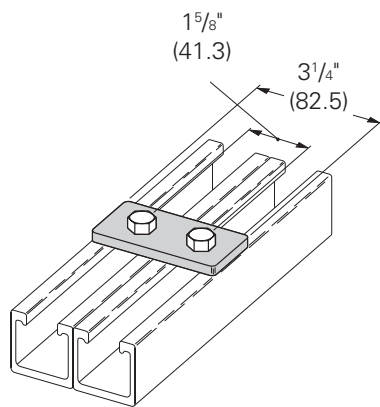
**BFV202**  
**Square Washer for 1/2 inch bolt**

- Material: Injection molded glass reinforced polyurethane



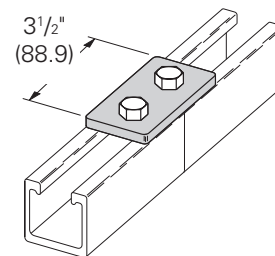
**BFV340**  
**Two Hole Flat Plate**

- Material: Injection molded glass reinforced polyurethane



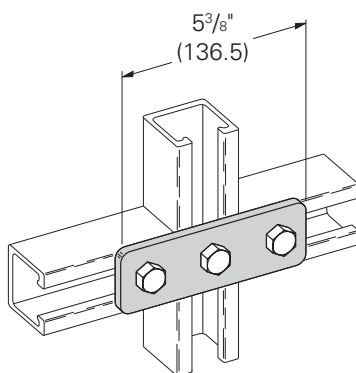
**BFV129**  
**Two Hole Splice Plate**

- Material: Injection molded glass reinforced polyurethane



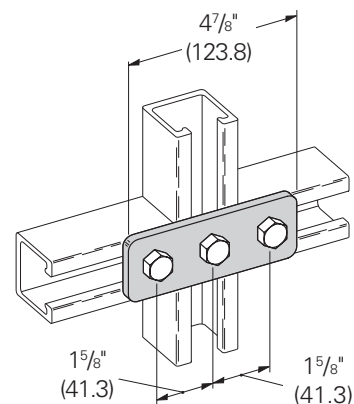
**BFV141**  
**Three Hole Flat Plate**

- Material: Injection molded glass reinforced polyurethane



**BFV557**  
**Three Hole Flat Plate**

- Material: Injection molded glass reinforced polyurethane

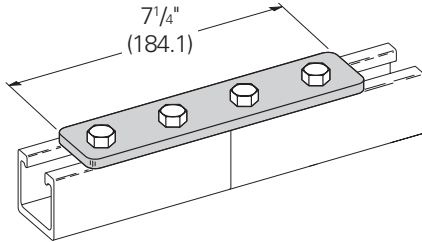


Reference page 224 for general fitting specifications.

# Fiberglass

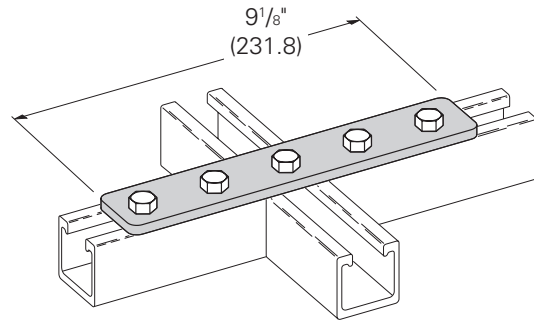
## BFV341 Four Hole Splice Plate

- Material: Injection molded glass reinforced polyurethane



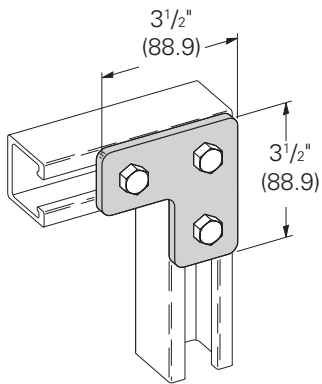
## BFV342 Five Hole Flat Plate

- Material: Injection molded glass reinforced polyurethane



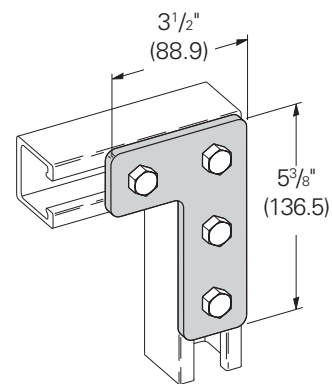
## BFV140 Three Hole Flat Corner Plate

- Material: Injection molded glass reinforced polyurethane



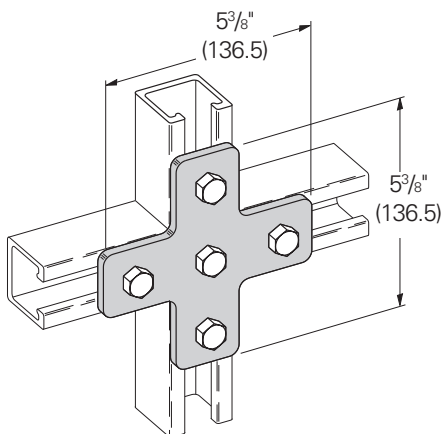
## BFV143 Four Hole Flat Corner Plate

- Material: Injection molded glass reinforced polyurethane



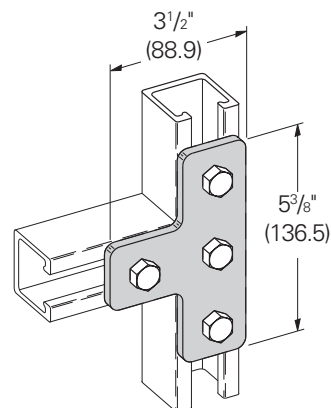
## BFV132 Five Hole Flat Cross Plate

- Material: Injection molded glass reinforced polyurethane



## BFV133 Four Hole Flat Tee Plate

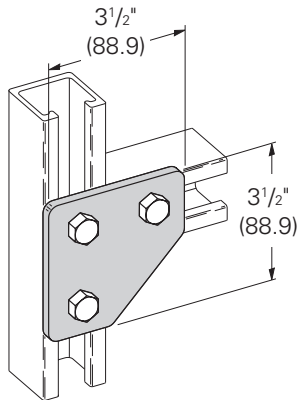
- Material: Injection molded glass reinforced polyurethane



Reference page 224 for general fitting specifications.

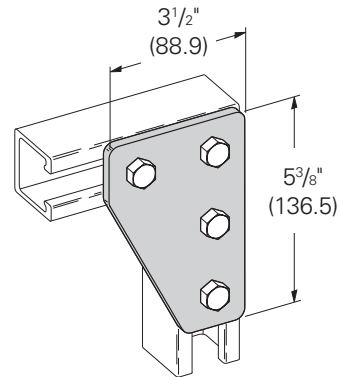
**BFV135**  
**Three Hole Flat Gusset Corner Plate**

- Material: Injection molded glass reinforced polyurethane



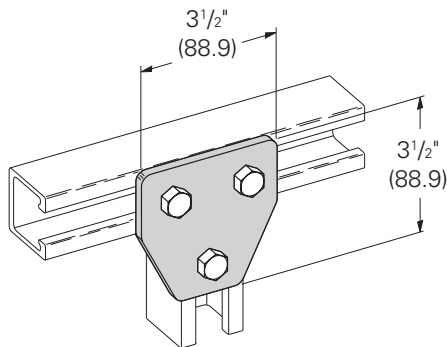
**BFV142**  
**Four Hole Flat Gusset Corner Plate**

- Material: Injection molded glass reinforced polyurethane



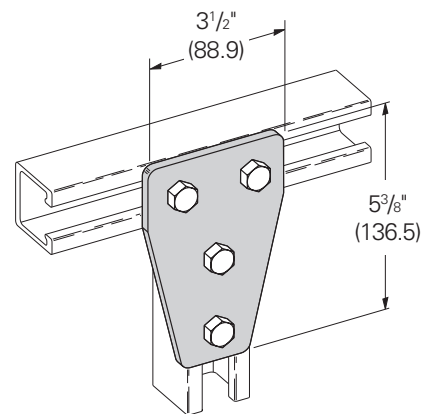
**BFV337**  
**Three Hole Flat Gusset Tee Plate**

- Material: Injection molded glass reinforced polyurethane



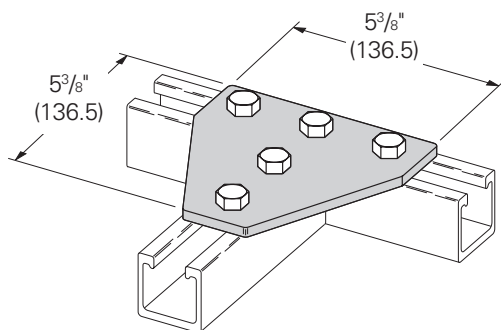
**BFV136**  
**Four Hole Flat Gusset Tee Plate**

- Material: Injection molded glass reinforced polyurethane



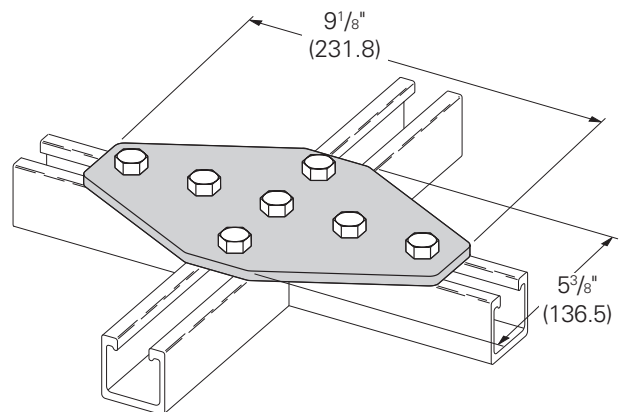
**BFV532**  
**Five Hole Flat Gusset Tee Plate**

- Material: Injection molded glass reinforced polyurethane



**BFV334**  
**Seven Hole Flat Gusset Cross Plate**

- Material: Injection molded glass reinforced polyurethane

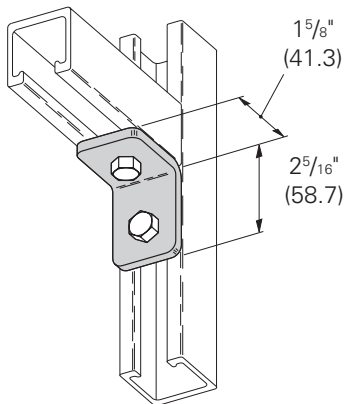


Reference page 224 for general fitting specifications.

# Fiberglass

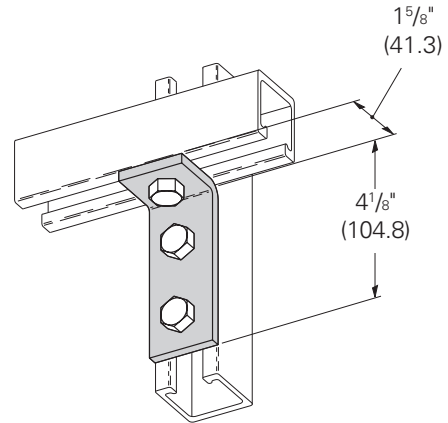
## BFV101 Two Hole 90° Corner Angle

- Material: Injection molded glass reinforced polyurethane



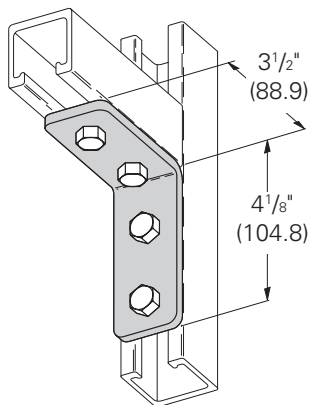
## BFV103 Three Hole 90° Corner Angle

- Material: Injection molded glass reinforced polyurethane



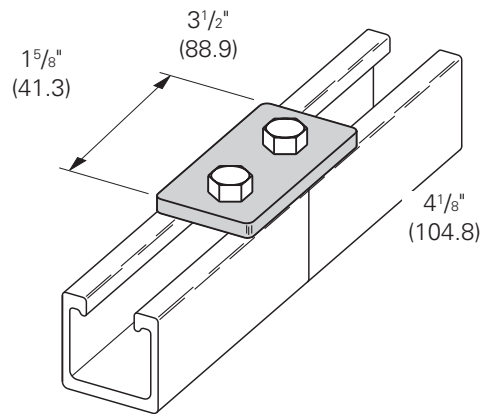
## BFV104 Four Hole 90° Corner Angle

- Material: Injection molded glass reinforced polyurethane



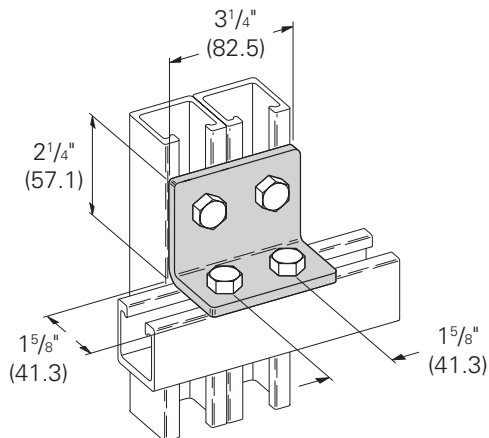
## BFV118 Four Hole 90° Gussetted Shelf Angle

- Material: Injection molded glass reinforced polyurethane



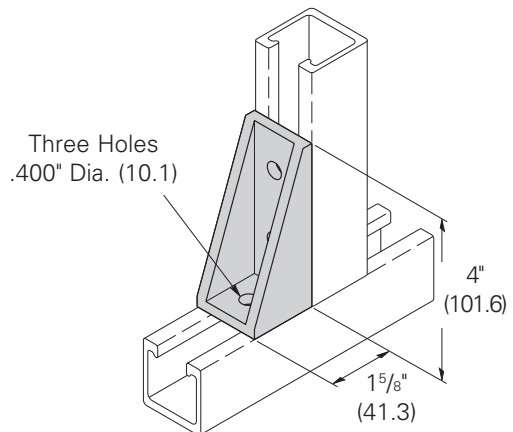
## BFV558 Four Hole 90° Corner Angle

- Material: Injection molded glass reinforced polyurethane



## BFV371-2G Three Hole 90° Gussetted Corner Angle

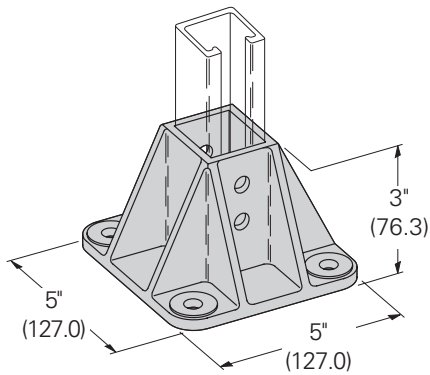
- Material: Injection molded glass reinforced polyurethane



Reference page 224 for general fitting specifications.

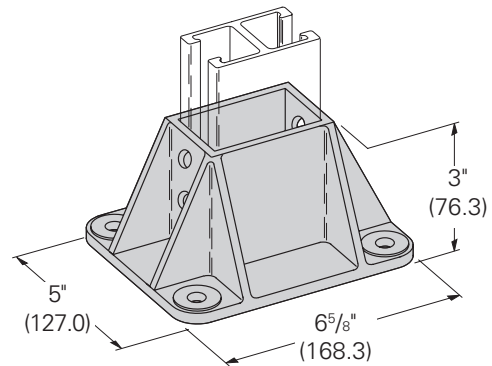
## BFV280SQ Post Base for BF\*22

- Material: Glass reinforced polyurethane



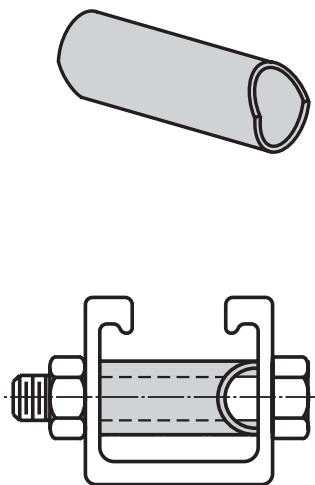
## BFV281SQ Post Base for BF\*22A

- Material: Glass reinforced polyurethane



## BFV650 Channel Spacer

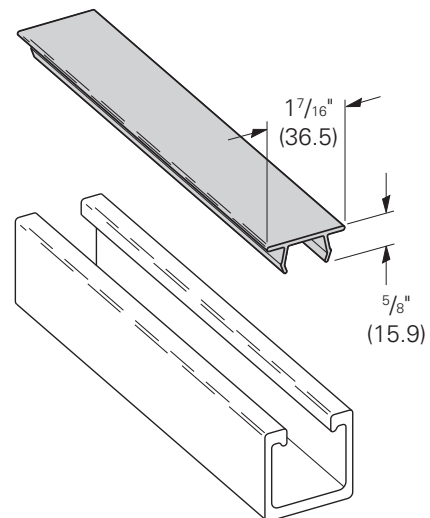
- Spacer I.D. accommodates 3/8" rod or bolts.
- Material: Polyurethane



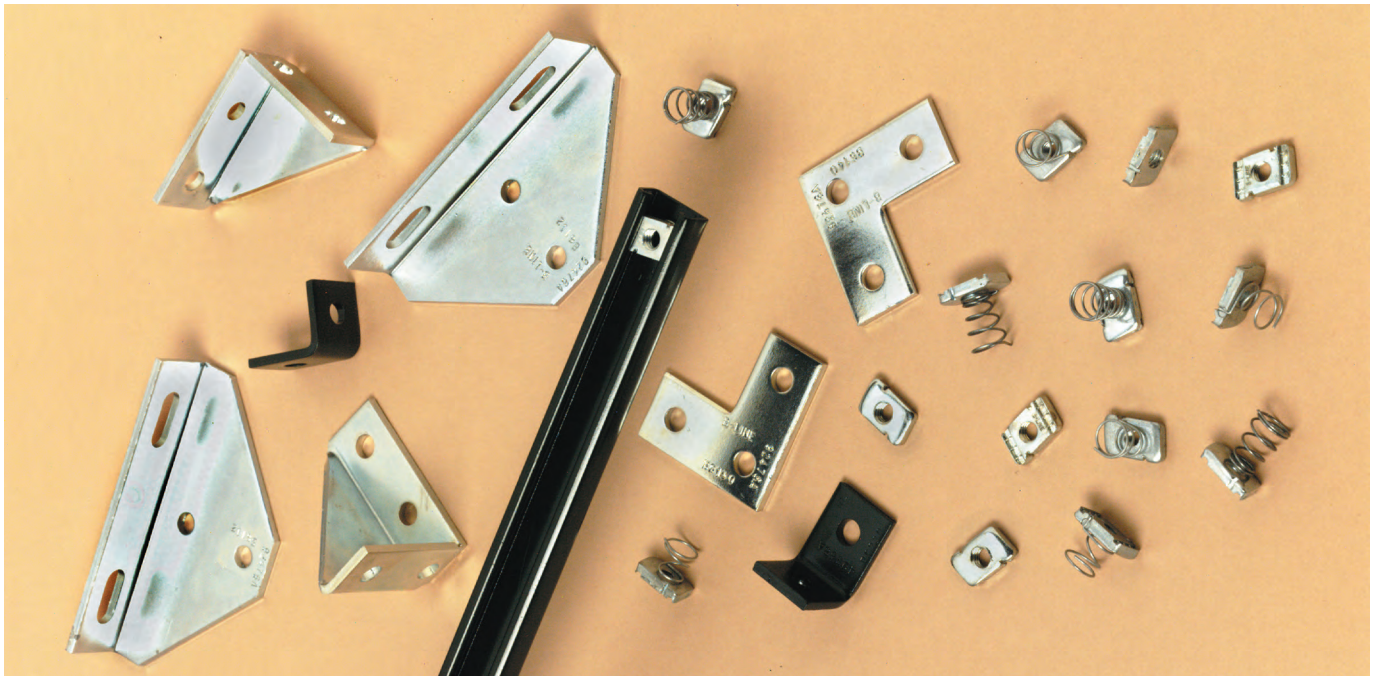
Used when attaching fittings to side walls of channel. This channel spacer prevents wall compression in heavy load conditions.

## B217P Plastic Closure Strip

- Available in 10 Ft. (3.05 m) lengths.
- Material: PVC



Reference page 224 for general fitting specifications.



Our mini channels and fittings provide for an economical method of supporting light load requirements on a strut system.

**Channel**

Channels are cold formed on our modern rolling mills from 18 Ga. (1.2 mm) low carbon steel strips plain steel (ASTM A1008 33,000 PSI min. yield) and pre-galvanized steel strips, (ASTM A653 33,000 PSI min. yield). A continuous slot with inturred lips provides the ability to make attachments at any point. Channel combinations are made with new state of the art, high-tech welding equipment.

**Lengths**

Standard lengths are 10' (3.05 m) and 20' (6.09 m) for B62 series, and 10' (3.05 m) for B72 series. Custom lengths are available.

**Fittings**

Mini fittings are formed from hot rolled pickled and oiled strip or sheet steel (ASTM A1011, HSLAS, Grade 50, Class1). The following dimensions apply to all fittings except as noted on the drawings:

**Hole Size** –  $\frac{9}{32}$ " (7.14 mm) Dia.

**Hole Spacing** –  $\frac{13}{32}$ " (10.3 mm) from end and  $\frac{1}{16}$ " (27.0 mm) on center.

**Width** –  $\frac{13}{16}$ " (20.6 mm)

**Thickness** –  $\frac{1}{8}$ " (3.2 mm)

**Materials & Finishes\***

\*Unless otherwise noted.

Finish Code	Finish	Specification
PLN	Plain	ASTM A1011, HSLAS, Grade 50, Class 1
ZN	Electro-Plated Zinc	ASTM B633 SC3 Type II
GRN	DURA-GREEN™	
GLV	Pre-Galvanized	ASTM A653 33,000 PSI min. yield
HDG	Hot-Dipped Galvanized	ASTM A123

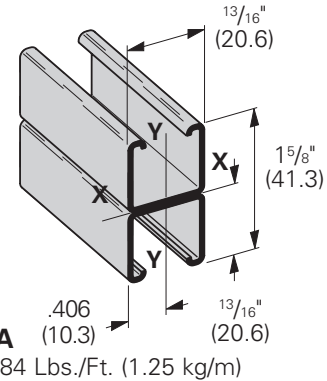
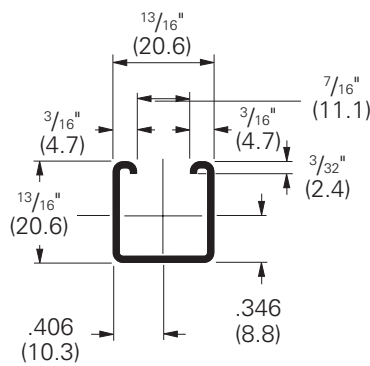
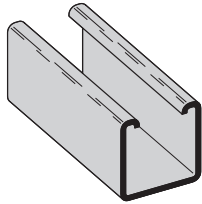
**Metric**

Metric dimensions are shown in parentheses. Unless noted, all metric dimensions are in millimeters.



# B62 Channel

- Thickness: 18 Ga. (1.2 mm)
- Standard lengths: 10' (3.05 m) & 20' (6.09 m)
- Standard finishes: Plain, DURA GREEN™, Pre-Galvanized
- Weight: .42 Lbs./Ft. (.62 kg/m)



Section Properties			X - X Axis				Y - Y Axis			
Channel	Weight lbs./ft. kg/m	Areas of Section sq. in. cm <sup>2</sup>	Moment of Inertia (I) in. <sup>4</sup> cm <sup>4</sup>	Section Modulus (S) in. <sup>3</sup> cm <sup>3</sup>	Radius of Gyration (r) in. cm	Moment of Inertia (I) in. <sup>4</sup> cm <sup>4</sup>	Section Modulus (S) in. <sup>3</sup> cm <sup>3</sup>	Radius of Gyration (r) in. cm		
<b>B62</b>	.420 (.62)	.123 (.80)	.0103 (.43)	.0221 (.36)	.289 (.73)	.0134 (.56)	.0330 (.54)	.330 (.84)		
<b>B62A</b>	.839 (1.25)	.247 (1.59)	.0500 (2.08)	.0616 (1.01)	.450 (1.14)	.0269 (1.12)	.0663 (1.09)	.330 (.84)		

Calculations of section properties are based on metal thicknesses as determined by the AISI Cold-Formed Steel Design Manual.

## Beam Loading

Beam Span In. mm	Channel Style	Uniform Load and Deflection				Uniform Load @ Deflection =			
		Lbs.	kN	In.	mm	1/240 Span Lbs.	kN	1/360 Span Lbs.	kN
12 (305)	<b>B62</b>	364	(1.62)	.027	(.68)	364	(1.62)	364	(1.62)
	<b>B62A</b>	420*	(1.87)	.006	(.15)	420*	(1.87)	420*	(1.87)
24 (609)	<b>B62</b>	182	(0.81)	.109	(2.77)	167	(0.74)	111	(0.49)
	<b>B62A</b>	420*	(1.87)	.051	(1.29)	420*	(1.87)	420*	(1.87)
36 (914)	<b>B62</b>	121	(0.54)	.245	(6.22)	74	(0.33)	50	(0.22)
	<b>B62A</b>	341	(1.51)	.141	(3.58)	341	(1.51)	242	(1.07)
48 (1219)	<b>B62</b>	91	(0.40)	.436	(11.07)	42	(0.18)	28	(0.12)
	<b>B62A</b>	256	(1.14)	.250	(6.35)	204	(0.91)	136	(0.60)
60 (1524)	<b>B62</b>	73	(0.32)	.681	(17.30)	27	(0.12)	18	(0.08)
	<b>B62A</b>	205	(0.91)	.391	(9.93)	131	(0.58)	87	(0.39)
72 (1829)	<b>B62</b>	61	(0.27)	.981	(24.92)	19	(0.08)	12	(0.05)
	<b>B62A</b>	170	(0.75)	.563	(14.30)	91	(0.40)	61	(0.27)

Based on simple beam condition using an allowable design stress of 25,000 psi (172 MPa) in accordance with MFMA, with adequate lateral bracing (see page 12 for further explanation). Actual yield point of cold rolled steel is 42,000 psi. To determine concentrated load capacity at mid span, multiply uniform load by 0.5 and corresponding deflection by 0.8. \*Failure determined by weld shear.

## Column Loading

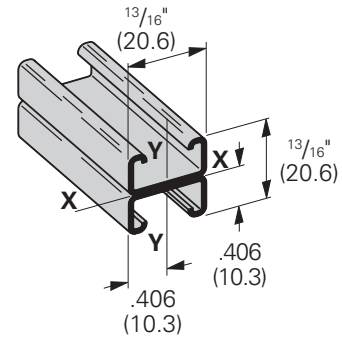
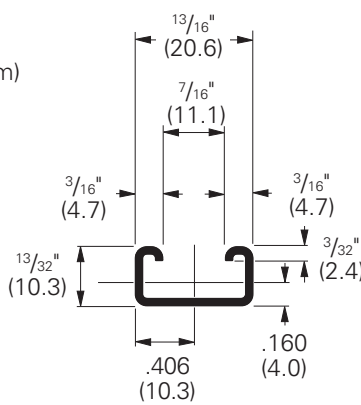
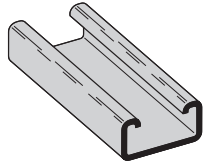
Unbraced Height In. mm	Channel Style	Max. Column Loading K = .80				Max. Column Loading (Loaded @ C.G.)					
		Loaded@ C.G.		Loaded@ Slot Face		K = .65		K = 1.0		K = 1.2	
		Lbs.	kN	Lbs.	kN	Lbs.	kN	Lbs.	kN	Lbs.	kN
12 (305)	<b>B62</b>	2052	(9.13)	820	(3.65)	2161	(9.61)	1890	(8.41)	1715	(7.63)
	<b>B62A</b>	4666	(20.75)	1449	(6.44)	4710	(20.95)	4593	(20.43)	4503	(20.03)
24 (609)	<b>B62</b>	1350	(6.00)	645	(2.87)	1624	(7.22)	1020	(4.54)	818	(3.64)
	<b>B62A</b>	4275	(19.01)	1367	(6.08)	4453	(19.81)	3982	(17.71)	3624	(16.12)
36 (914)	<b>B62</b>	818	(3.64)	471	(2.09)	1053	(4.68)	633	(2.81)	515	(2.29)
	<b>B62A</b>	3624	(16.12)	847	(3.77)	4023	(17.89)	2965	(13.19)	2179	(9.69)
48 (1219)	<b>B62</b>	589	(2.62)	369	(1.64)	745	(3.31)	456	(2.03)	365**	(1.62)
	<b>B62A</b>	2713	(12.06)	504	(2.24)	3421	(15.21)	1765	(7.85)	1225	(5.45)
60 (1524)	<b>B62</b>	456	(2.03)	300	(1.33)	579	(2.57)	347**	(1.54)	271**	(1.20)
	<b>B62A</b>	1765	(7.85)	323	(1.44)	2647	(11.77)	1129	(5.02)	784**	(3.49)
72 (1829)	<b>B62</b>	365**	(1.62)	248	(1.10)	470	(2.09)	271**	(1.20)	-	-
	<b>B62A</b>	1225	(5.45)	224	(0.99)	1856	(8.25)	784**	(3.49)	545**	(2.42)

\*\*Where the slenderness ratio  $\frac{KL}{r}$  exceeds 200, and K = end fixity factor, L = actual length and r = radius of gyration.

Reference page 242 for general fitting specifications.

# B72 Channel

- Thickness: 18 Ga. (1.2 mm)
- Standard lengths: 10' (3.05 m) & 20' (6.09 m)
- Standard finishes: Plain, DURA GREEN™, Pre-Galvanized
- Weight: .29 Lbs./Ft. (.43 kg/m)



**B72A**  
Wt. .58 Lbs./Ft. (.87 kg/m)

Section Properties			X - X Axis			Y - Y Axis		
Channel	Weight lbs./ft. kg/m	Areas of Section sq. in. cm <sup>2</sup>	Moment of Inertia (I) in. <sup>4</sup> cm <sup>4</sup>	Section Modulus (S) in. <sup>3</sup> cm <sup>3</sup>	Radius of Gyration (r) in. cm	Moment of Inertia (I) in. <sup>4</sup> cm <sup>4</sup>	Section Modulus (S) in. <sup>3</sup> cm <sup>3</sup>	Radius of Gyration (r) in. cm
<b>B72</b>	.287 (.43)	.084 (.54)	.0018 (.07)	.0073 (.12)	.146 (.37)	.0077 (.32)	.0190 (.31)	.302 (.77)
<b>B72A</b>	.574 (.85)	.169 (1.09)	.0078 (.32)	.0192 (.31)	.215 (.55)	.0155 (.65)	.0382 (.63)	.303 (.77)

Calculations of section properties are based on metal thicknesses as determined by the AISI Cold-Formed Steel Design Manual.

## Beam Loading

Beam Span In. mm	Channel Style	Uniform Load and Deflection				Uniform Load @ Deflection =			
		Lbs.	kN	In.	mm	1/240 Span Lbs.	kN	1/360 Span Lbs.	kN
12 (305)	<b>B72</b>	116	(0.51)	.051	(1.29)	113	(0.50)	75	(0.32)
	<b>B72A</b>	210*	(0.93)	.020	(.51)	210*	(0.93)	210*	(0.93)
24 (609)	<b>B72</b>	58	(0.26)	.206	(5.23)	28	(0.12)	19	(0.08)
	<b>B72A</b>	159	(0.71)	.125	(3.17)	127	(0.56)	85	(0.38)
36 (914)	<b>B72</b>	39	(0.17)	.465	(11.81)	13	(0.06)	8	(0.03)
	<b>B72A</b>	106	(0.45)	.281	(7.14)	57	(0.25)	38	(0.17)
36 (1219)	<b>B72</b>	29	(0.13)	.827	(21.00)	7	(0.03)	5	(0.02)
	<b>B72A</b>	80	(0.35)	.500	(12.70)	32	(0.14)	21	(0.09)
60 (1524)	<b>B72</b>	23	(0.10)	1.292	(32.81)	5	(0.02)	3	(0.01)
	<b>B72A</b>	64	(0.28)	.782	(19.86)	20	(0.09)	14	(0.06)

Based on simple beam condition using an allowable design stress of 25,000 psi (172 MPa) in accordance with MFMA, with adequate lateral bracing (see page 12 for further explanation). Actual yield point of cold rolled steel is 42,000 psi. To determine concentrated load capacity at mid span, multiply uniform load by 0.5 and corresponding deflection by 0.8. \*Failure determined by weld shear.

## Column Loading

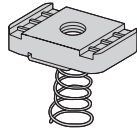
Unbraced Height In. mm	Channel Style	Max. Column Loading K = .80		Max. Column Loading (Loaded @ C.G.)							
		Loaded @ C.G.		Loaded @ Slot Face		K = .65		K = 1.0		K = 1.2	
		Lbs.	kN	Lbs.	kN	Lbs.	kN	Lbs.	kN	Lbs.	kN
12 (305)	<b>B72</b>	1598	(7.11)	539	(2.40)	1712	(7.61)	1410	(6.27)	1181	(5.25)
	<b>B72A</b>	3600	(16.01)	986	(4.38)	3700	(16.46)	3433	(15.27)	3229	(14.36)
24 (609)	<b>B72</b>	701	(3.12)	320	(1.42)	1050	(4.67)	450	(2.00)	313**	(1.39)
	<b>B72A</b>	2710	(12.05)	802	(3.57)	3113	(13.85)	2043	(9.09)	1421	(6.32)
36 (914)	<b>B72</b>	313**	(1.39)	188	(0.83)	473	(2.10)	201**	(0.89)	—	—
	<b>B72A</b>	1421	(6.32)	569	(2.53)	2135	(9.50)	909	(4.04)	631**	(2.81)
36 (1219)	<b>B72</b>	177**	(0.79)	122	(0.54)	267**	(1.19)	—	—	—	—
	<b>B72A</b>	799	(3.55)	404	(1.80)	1211	(5.39)	512**	(2.28)	355**	(1.58)
60 (1524)	<b>B72</b>	113**	(0.50)	85	(0.38)	171**	(0.76)	—	—	—	—
	<b>B72A</b>	512**	(2.28)	298	(1.32)	775	(3.45)	327**	(1.45)	—	—

\*\*Where the slenderness ratio  $\frac{KL}{r}$  exceeds 200, and K = end fixity factor, L = actual length and r = radius of gyration.

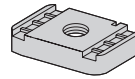
Reference page 242 for general fitting specifications.

# Mini channel nuts and fittings

## Nuts for B62, B72 Channel



Spring Nut



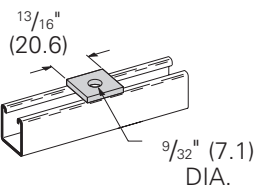
Nut Without Spring

Part Number				Thread Size	Thickness		Wt./C	
B62		B72			In.	mm	Lbs.	kg
With Spring	Without Spring	With Spring	Without Spring					
N621	N621WO	N7221	N621WO	#8-32	.150	(3.81)	1.0	(.45)
N622	N622WO	N7222	N622WO	#10-24	.150	(3.81)	1.0	(.45)
N627	N627WO	N7227	N627WO	#10-32	.150	(3.81)	1.0	(.45)
N624	N624WO	N7224	N624WO	1/4-20	.150	(3.81)	1.0	(.45)
BMM-3L	BMM-3	BMM-3S	BMM-3	M3.5 x 0.6	.150	(3.81)	1.0	(.45)
BMM-4L	BMM-4	BMM-4S	BMM-4	M4 x 0.7	.150	(3.81)	1.0	(.45)
BMM-5L	BMM-5	BMM-5S	BMM-5	M5 x 0.8	.150	(3.81)	1.0	(.45)
BMM-6L	BMM-6	BMM-6S	BMM-6	M6 x 1	.150	(3.81)	1.0	(.45)

## Mini fittings

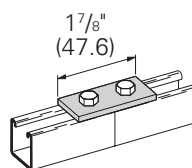
### B6202 Square Washer

- Standard finishes: ZN, GRN
- Wt./C 2 Lbs. (.9 kg)



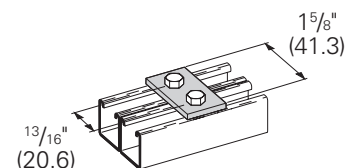
### B6129 Two Hole Splice Plate

- Standard finishes: ZN, GRN
- Wt./C 5 Lbs. (2.2 kg)



### B6340 Two Hole Splice Plate

- Standard finishes: ZN, GRN
- Wt./C 5 Lbs. (2.2 kg)

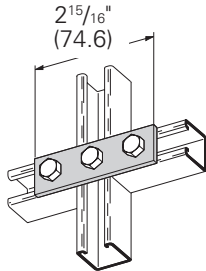


Reference page 242 for general fitting specifications.

# Mini fittings

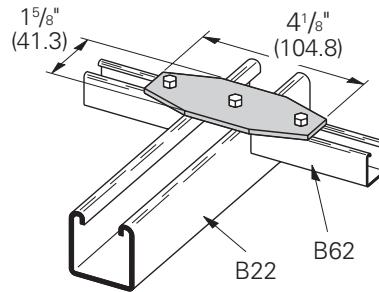
## B6141 Three Hole Splice Plate

- Standard finishes: ZN, GRN
- Wt./C 7 Lbs. (3.2 kg)



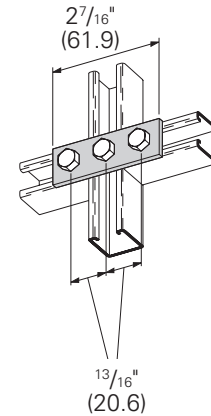
## B600-62 Three Hole Flat Adapter Plate

- Standard finishes: ZN, GRN
- Wt./C 19 Lbs. (8.6 kg)



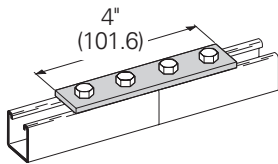
## B6557 Three Hole Splice Plate

- Standard finishes: ZN, GRN
- Wt./C 7 Lbs. (3.2 kg)



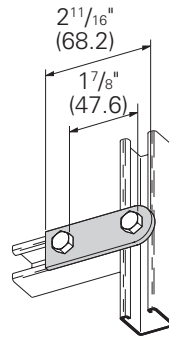
## B6341 Four Hole Splice Plate

- Standard finishes: ZN, GRN
- Wt./C 11 Lbs. (5.0 kg)



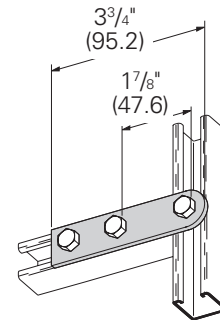
## B6138 Two Hole Swivel Plate

- Standard finishes: ZN, GRN
- Wt./C 7 Lbs. (3.2 kg)



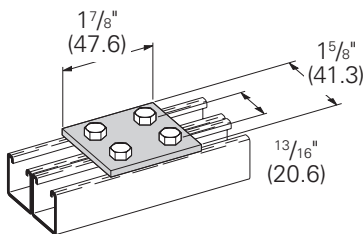
## B6139 Three Hole Swivel Plate

- Standard finishes: ZN, GRN
- Wt./C 10 Lbs. (4.5 kg)



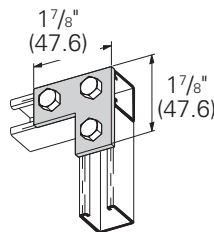
## B6504 Four Hole Splice Plate

- Standard finishes: ZN, GRN
- Wt./C 10 Lbs. (4.5 kg)



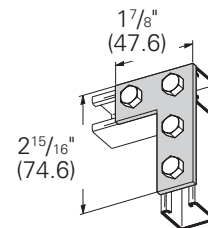
## B6140 Three Hole Corner Plate

- Standard finishes: ZN, GRN
- Wt./C 8 Lbs. (3.6 kg)



## B6143 Four Hole Corner Plate

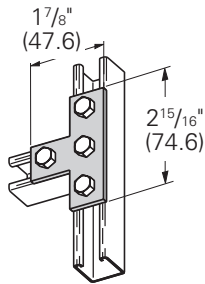
- Standard finishes: ZN, GRN
- Wt./C 11 Lbs. (5.0 kg)



Reference page 242 for general fitting specifications.

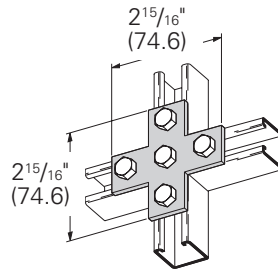
**B6133**  
**Four Hole Tee Plate**

- Standard finishes: ZN, GRN
- Wt./C 11 Lbs. (5.0 kg)



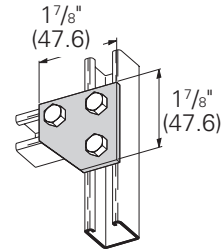
**B6132**  
**Five Hole Cross Plate**

- Standard finishes: ZN, GRN
- Wt./C 13 Lbs. (5.9 kg)



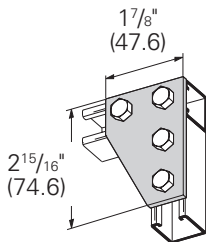
**B6135**  
**Three Hole Corner Gusset Plate**

- Standard finishes: ZN, GRN
- Wt./C 9 Lbs. (4.1 kg)



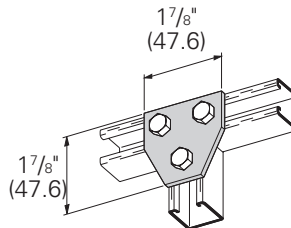
**B6142**  
**Four Hole Corner Gusset Plate**

- Standard finishes: ZN, GRN
- Wt./C 15 Lbs. (6.8 kg)



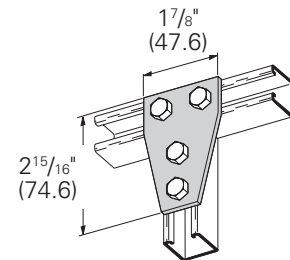
**B6337**  
**Three Hole Tee Gusset Plate**

- Standard finishes: ZN, GRN
- Wt./C 10 Lbs. (4.5 kg)



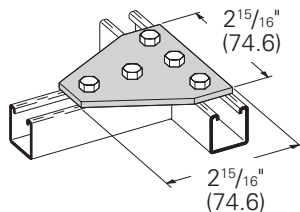
**B6136**  
**Four Hole Tee Gusset Plate**

- Standard finishes: ZN, GRN
- Wt./C 15 Lbs. (6.8 kg)



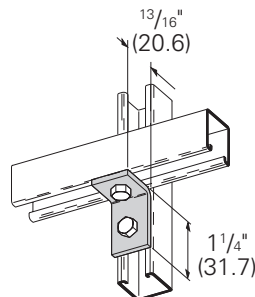
**B6532**  
**Five Hole Tee Gusset Plate**

- Standard finishes: ZN, GRN
- Wt./C 22 Lbs. (10.0 kg)



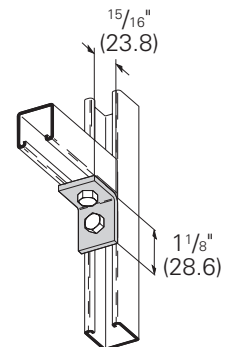
**B6101**  
**Two Hole Corner Angle**

- Standard finishes: ZN, GRN
- Wt./C 5 Lbs. (2.2 kg)



**B6230**  
**Two Hole Corner Angle**

- Standard finishes: ZN, GRN
- Wt./C 5 Lbs. (2.2 kg)

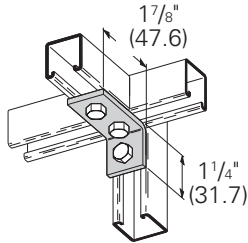


Reference page 242 for general fitting specifications.

# Mini fittings

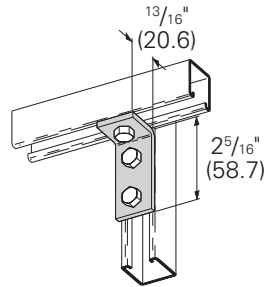
## B6102 Three Hole Corner Angle

- Standard finishes: ZN, GRN
- Wt./C 8 Lbs. (3.6 kg)



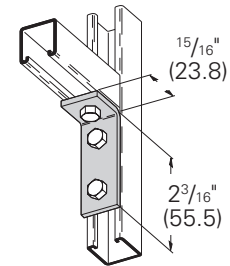
## B6103 Three Hole Corner Angle

- Standard finishes: ZN, GRN
- Wt./C 8 Lbs. (3.6 kg)



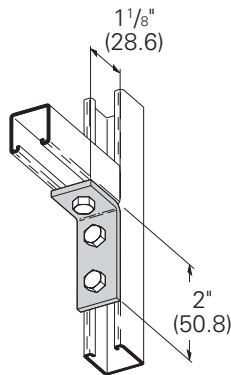
## B6232 Three Hole Corner Angle

- Standard finishes: ZN, GRN
- Wt./C 7 Lbs. (3.2 kg)



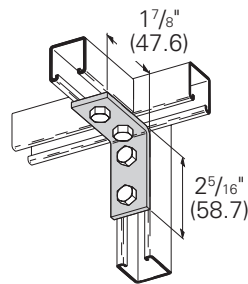
## B6374 Three Hole Corner Angle

- Standard finishes: ZN, GRN
- Wt./C 7 Lbs. (3.2 kg)



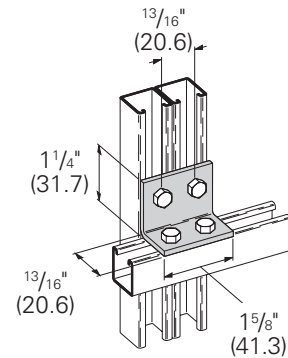
## B6104 Four Hole Corner Angle

- Standard finishes: ZN, GRN
- Wt./C 10 Lbs. (4.5 kg)



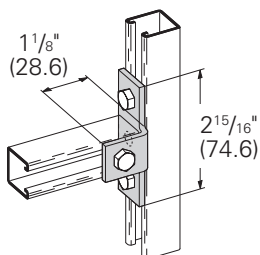
## B6558 Four Hole Corner Angle

- Standard finishes: ZN, GRN
- Wt./C 10 Lbs. (4.5 kg)



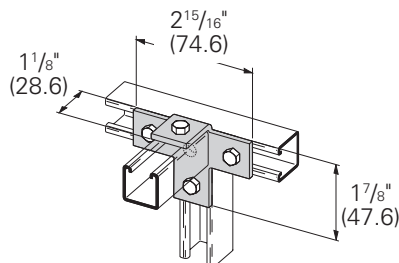
## B6357 Four Hole Offset Bent Tee

- Standard finishes: ZN, GRN
- Wt./C 11 Lbs. (5.0 kg)



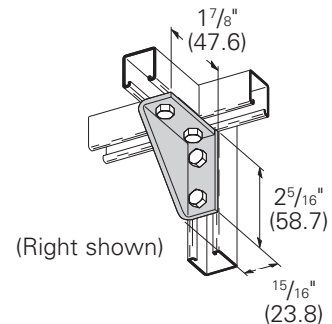
## B6239 Five Hole Offset Bent Tee

- Standard finishes: ZN, GRN
- Wt./C 14 Lbs. (6.3 kg)



## B6144R & L Four Hole Shelf Bracket

- Standard finishes: ZN, GRN
- Wt./C 19 Lbs. (8.6 kg)

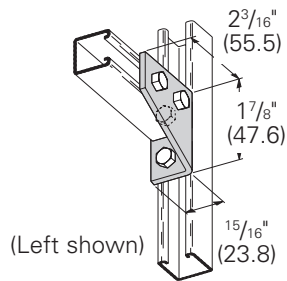


Reference page 242 for general fitting specifications.



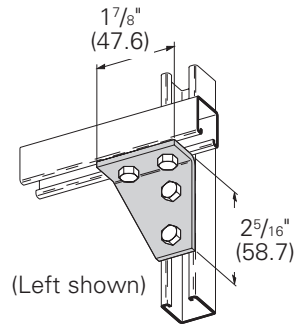
## B6134R & L Four Hole Corner Gusset

- Standard finishes: ZN, GRN
- Wt./C 15 Lbs. (6.8 kg)



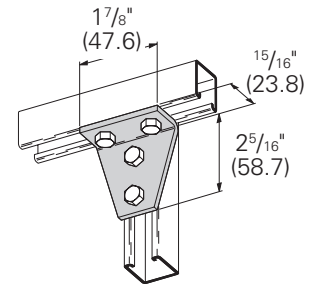
## B6234R & L Four Hole Corner Gusset

- Standard finishes: ZN, GRN
- Wt./C 15 Lbs. (6.8 kg)



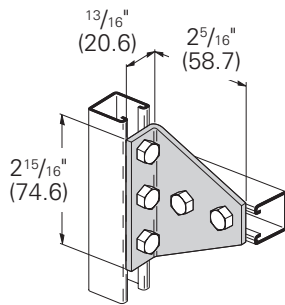
## B6118 Four Hole Gusseted Shelf Angle

- Standard finishes: ZN, GRN
- Wt./C 15 Lbs. (6.8 kg)



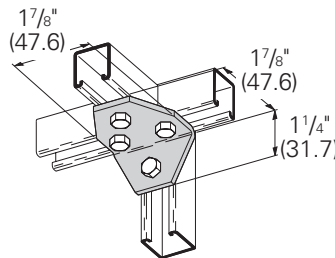
## B6533 Five Hole Gusseted Shelf Angle

- Standard finishes: ZN, GRN
- Wt./C 22 Lbs. (10.0 kg)



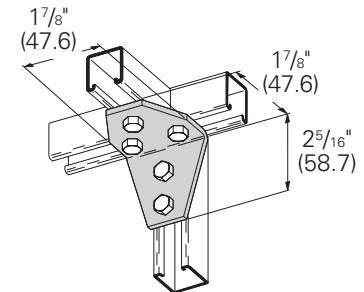
## B6126 Four Hole Gusseted Three Way Shelf Angle

- Standard finishes: ZN, GRN
- Wt./C 15 Lbs. (6.8 kg)



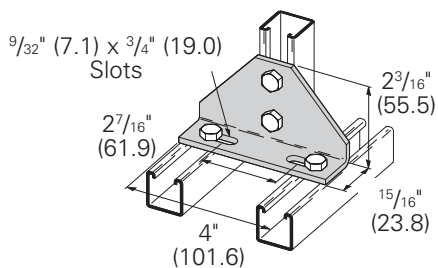
## B6127 Five Hole Gusseted Three Way Shelf Angle

- Standard finishes: ZN, GRN
- Wt./C 18 Lbs. (8.1 kg)



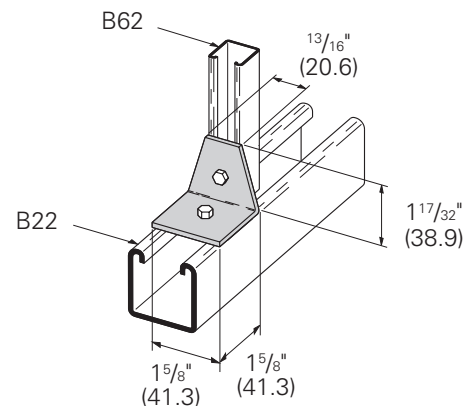
## B6112 Four Hole Adjustable Corner Angle

- Standard finishes: ZN, GRN
- Wt./C 32Lbs. (14.5 kg)



## B589-62 Two Hole 90° Adapter Angle

- Standard finishes: ZN, GRN
- Wt./C 11 Lbs. (5.0 kg)

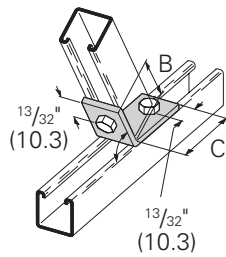


Reference page 242 for general fitting specifications.

# Mini fittings

## B6147-B6152 Two Hole Open Angle

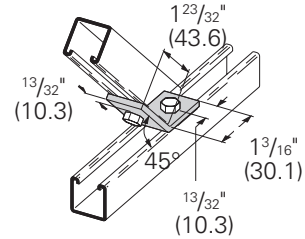
- Standard finishes: ZN, GRN



Part No.	A	B		C		Wt./C	
		In.	mm	In.	mm	Lbs.	kg
B6147	82 <sup>1</sup> / <sub>2</sub> °	2 <sup>1</sup> / <sub>32</sub> "	(51.6)	2 <sup>7</sup> / <sub>32</sub> "	(21.4)	8.0	(3.6)
B6148	75°	2 <sup>1</sup> / <sub>32</sub> "	(51.6)	2 <sup>7</sup> / <sub>32</sub> "	(21.4)		
B6149	67 <sup>1</sup> / <sub>2</sub> °	2"	(50.8)	7 <sup>7</sup> / <sub>8</sub> "	(22.2)		
B6150	60°	1 <sup>31</sup> / <sub>32</sub> "	(50.0)	1 <sup>5</sup> / <sub>16</sub> "	(23.8)		
B6151	52 <sup>1</sup> / <sub>2</sub> °	1 <sup>7</sup> / <sub>8</sub> "	(47.6)	1 <sup>1</sup> / <sub>16</sub> "	(27.0)		
B6152	37 <sup>1</sup> / <sub>2</sub> °	2"	(50.8)	2 <sup>3</sup> / <sub>32</sub> "	(23.0)		

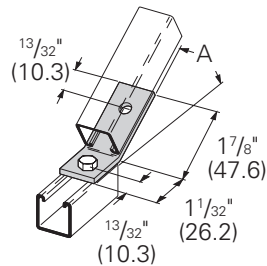
## B6154 Two Hole Open Angle

- Standard finishes: ZN, GRN
- Wt./C 8 Lbs. (3.6 kg)



## B6162-B6165 Two Hole Open Angle

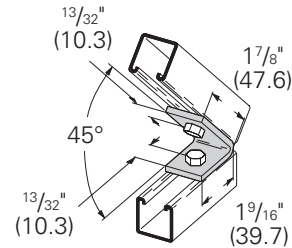
- Standard finishes: ZN, GRN



Part No.	A	Wt./C	
		Lbs.	kg
B6162	30°	8.0	(3.6)
B6163	22 <sup>1</sup> / <sub>2</sub> °		
B6164	15°		
B6165	7 <sup>1</sup> / <sub>2</sub> °		

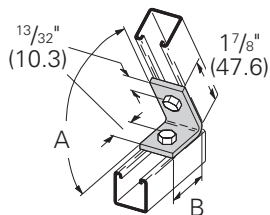
## B6155 Two Hole Closed Angle

- Standard finishes: ZN, GRN
- Wt./C 8 Lbs. (3.6 kg)



## B6156-B6161 Two Hole Closed Angle

- Standard finishes: ZN, GRN

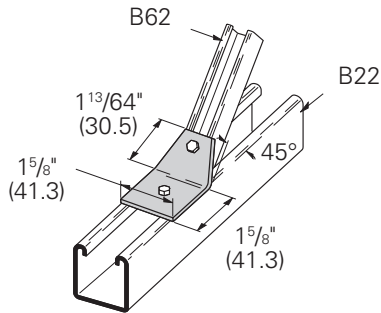


Part No.	A	B		Wt./C	
		In.	mm	Lbs.	kg
B6156	82 <sup>1</sup> / <sub>2</sub> °	1 <sup>9</sup> / <sub>32</sub> "	(32.5)	8.0	(3.6)
B6157	75°	1 <sup>5</sup> / <sub>16</sub> "	(33.3)		
B6158	67 <sup>1</sup> / <sub>2</sub> °	1 <sup>3</sup> / <sub>8</sub> "	(34.9)		
B6159	60°	1 <sup>13</sup> / <sub>32</sub> "	(35.7)		
B6160	52 <sup>1</sup> / <sub>2</sub> °	1 <sup>15</sup> / <sub>32</sub> "	(37.3)		
B6161	37 <sup>1</sup> / <sub>2</sub> °	1 <sup>21</sup> / <sub>32</sub> "	(42.0)		

Reference page 242 for general fitting specifications.

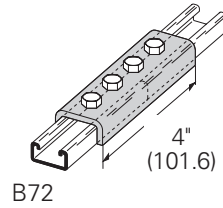
## B601-62 Two Hole 45° Adapter Angle

- Standard finishes: ZN, GRN
- Wt./C 14 Lbs. (6.3 kg)



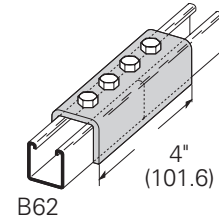
## B6167 Four Hole Splice Clevis for B72

- Standard finishes: ZN, GRN
- Wt./C 24 Lbs. (10.9 kg)



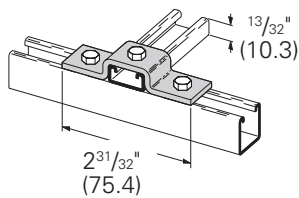
## B6172 Four Hole Splice Clevis for B62

- Standard finishes: ZN, GRN
- Wt./C 36 Lbs. (16.3 kg)



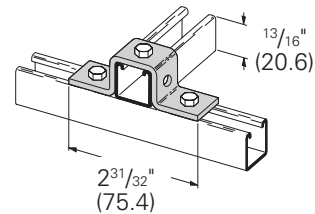
## B7116 Three Hole U-Support

- Standard finishes: ZN, GRN
- Wt./C 10 Lbs. (4.5 kg)



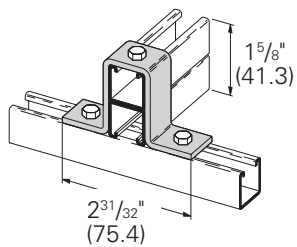
## B6107 Three Hole U-Support

- Standard finishes: ZN, GRN
- Wt./C 12 Lbs. (5.4 kg)



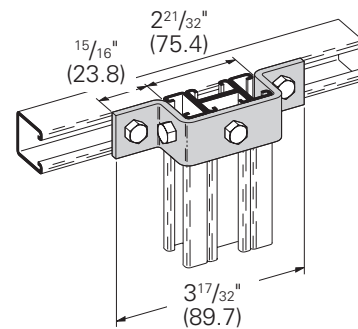
## B6107-62A Three Hole U-Support

- Standard finishes: ZN, GRN
- Wt./C 16 Lbs. (7.2 kg)



## B6594 Five Hole U-Support

- Standard finishes: ZN, GRN
- Wt./C 13 Lbs. (5.9 kg)

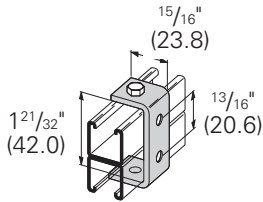


Reference page 242 for general fitting specifications.

# Mini fittings

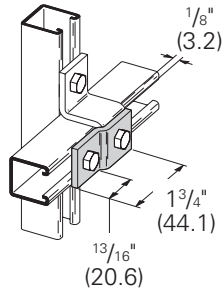
## B6173 Four Hole Clevis

- Standard finishes: ZN, GRN
- Wt./C 9 Lbs. (4.1 kg)



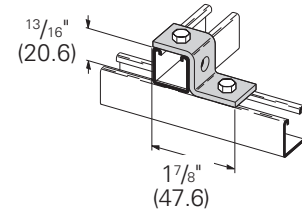
## B6526 Two Hole Offset Z-Support

- Standard finishes: ZN, GRN
- Wt./C 5 Lbs. (2.2 kg)



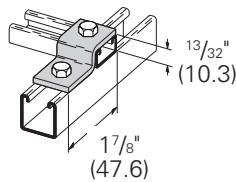
## B6105 Two Hole Offset Z-Support for B62

- Standard finishes: ZN, GRN
- Wt./C 7 Lbs. (3.2 kg)



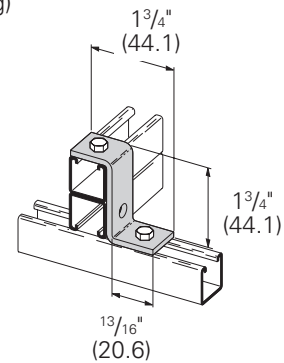
## B7105 Two Hole Offset Z-Support for B72

- Standard finishes: ZN, GRN
- Wt./C 7 Lbs. (3.2 kg)



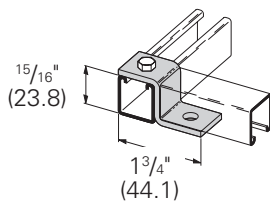
## B6110 Two Hole Offset Z-Support for B62A

- Standard finishes: ZN, GRN
- Wt./C 9 Lbs. (4.1 kg)



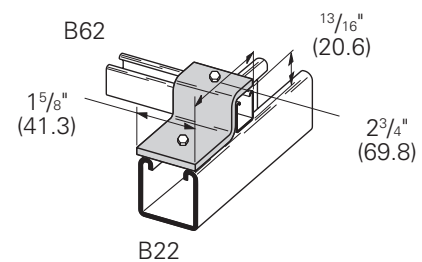
## B6108 Two Hole Offset Z-Support

- Standard finishes: ZN, GRN
- Wt./C 7 Lbs. (3.2 kg)



## B598-62 Two Hole Z-Adapter Plate

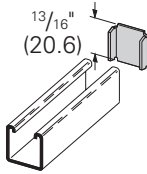
- Standard finishes: ZN, GRN
- Wt./C 28 Lbs. (12.7 kg)



Reference page 242 for general fitting specifications.

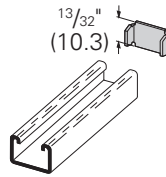
## B6205 End Cap for B62

- Material: ASTM A1008 SS Gr. 33 Type 1
- Standard finishes: ZN, GRN
- Wt./C 3 Lbs. (1.3 kg)



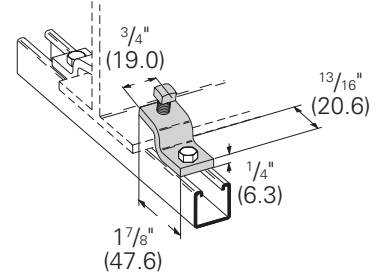
## B7205 End Cap for B72

- Material: ASTM A1008 SS Gr. 33 Type 1
- Standard finishes: ZN, GRN
- Wt./C 1 Lb. (.4 kg)



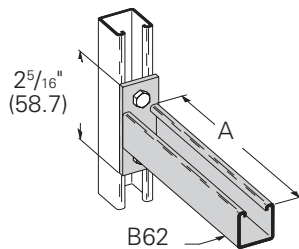
## B6211 Z-Beam Clamp

- 5/16"-18 Setscrew included
- 13/16" (20.6) Max. Flange Thickness
- Material: ASTM A36
- Standard finishes: ZN, GRN
- Wt./C 13 Lbs. (5.9 kg)



## B6409-6, 9 Bracket

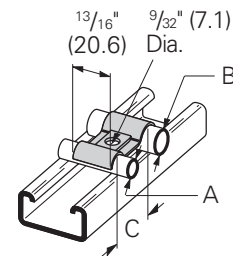
- Safety Factor of 2
- Uniform Design Load 40 Lbs. (.18 kN)
- Standard finishes: ZN, GRN



Part No.	A		Wt./C	
	In.	mm	Lbs.	kg
B6409-6	6"	(152.4)	28.0	(12.7)
B6409-9	9"	(228.6)	35.0	(15.8)

## B2350-B2355 One Hole Double Tubing Strap

- Material: ASTM A1008 SS Gr. 33 Type 1
- Standard finishes: ZN, GRN

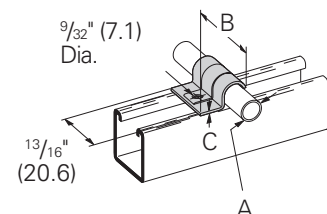


Part No.	O.D. Size A		O.D. Size B		C		Wt./C	
	In.	mm	In.	mm	In.	mm	Lbs.	kg
B2350	1/4"	(6.3)	1/4"	(6.3)	3/4"	(19.0)	1.2	(.5)
B2351	3/8"	(9.5)	3/8"	(9.5)	1"	(25.4)	2.0	(.9)
B2352	1/2"	(12.7)	1/2"	(12.7)	1 1/4"	(31.7)	2.9	(1.3)
B2353	1/4"	(6.3)	3/8"	(9.5)	7/8"	(22.2)	1.6	(.7)
B2354	1/4"	(6.3)	1/2"	(12.7)	1"	(25.4)	2.1	(.9)
B2355	3/8"	(9.5)	1/2"	(12.7)	1 1/8"	(28.6)	2.5	(1.1)

## B2308-B2315 One Hole Tubing Strap

- Material: Sizes 1/4" - 1/2", ASTM A611 Gr. C 5/8" - 1", ASTM A1008 SS Gr. 33 Type 1
- Standard finishes: ZN, GRN

Part No.	O.D. Size A		B		C		Wt./C	
	In.	mm	In.	mm	In.	mm	Lbs.	kg
B2308	1/4"	(6.3)	1 1/32"	(26.2)	.048	(1.2)	1.2	(.5)
B2309	5/16"	(7.9)	1 3/32"	(27.8)	.048	(1.2)	1.4	(.6)
B2310	3/8"	(9.5)	1 3/16"	(30.1)	.048	(1.2)	1.6	(.7)
B2311	1/2"	(12.7)	1 21/64"	(33.7)	.048	(1.2)	1.9	(.8)
B2312	5/8"	(15.9)	1 25/64"	(35.3)	.062	(1.6)	2.7	(1.2)
B2313	3/4"	(19.0)	1 39/64"	(40.9)	.075	(1.9)	4.3	(1.9)
B2314	7/8"	(22.2)	1 51/64"	(45.6)	.075	(1.9)	4.9	(2.2)
B2315	1"	(25.4)	2 1/32"	(51.6)	.075	(1.9)	5.2	(2.3)



Reference page 242 for general fitting specifications.

# Continuous concrete inserts



Continuous slot concrete inserts are designed to provide a pre-set support system cast in concrete ceilings, walls, and floors to allow flexibility of attachment at any point along the channel. This provides an excellent support system for pipe, conduit, and cable trays.

Continuous concrete inserts, manufactured from our standard channels, have formed anchors spaced on 4 inch (101.6 mm) centers. The  $\frac{3}{16}$ " (4.8 mm) nail-holes are provided for securing the inserts to the forms.

Available in lengths from 3 inches (7.62 cm) to 240 inches (609.6 cm), concrete inserts are shipped complete with end caps and styrofoam filler strips which prevent seepage of concrete into the insert. Styrofoam is easily removed by pulling the convenient pull-tab.

## Materials & Finishes\*

\*Unless otherwise noted.

Finish Code	Finish	Specification
PLN	Plain	ASTM A1011 33,000 PSI min. yield
GRN	DURA GREEN™	
ZN	Electro-Plated Zinc	ASTM B633 SC1 Type III
GALV	Pre-Galvanized	ASTM A653 33,000 PSI min. yield
HDG	Hot-Dipped Galvanized	ASTM A123
SS4	Stainless Steel Type 304	ASTM A240
SS6	Stainless Steel Type 316	ASTM A240

## Spot Inserts

Spot inserts provide for economical single attachment points with full flexibility of fastener sizing, but with limited adjustment. These products are made from steel strips in accordance with ASTM A1011, 33,000 PSI min. yield. Standard finish is electro-plated zinc (ASTM B633).

## Special Concrete Inserts

Pre-stressed inserts, inserts with studs welded to the back of the channel, and other types of special inserts are available.

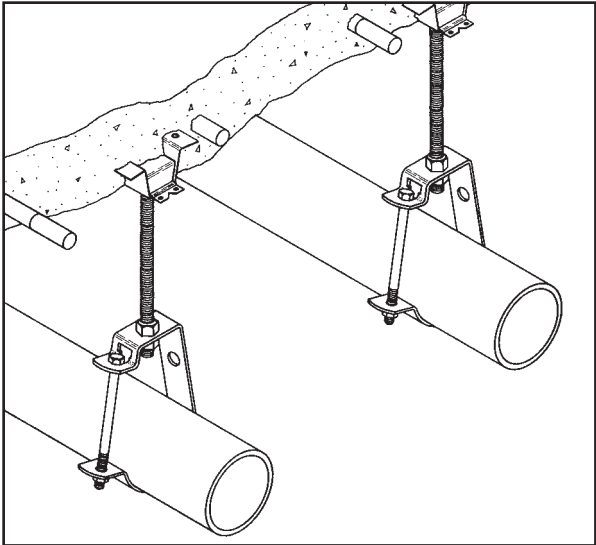
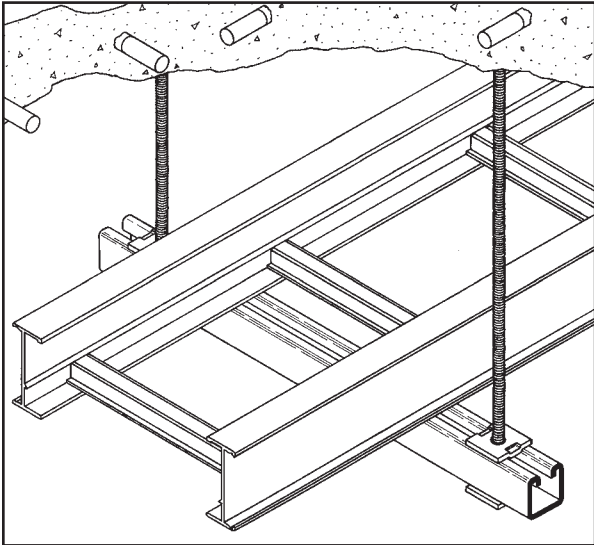
## Test Data

Independent Testing Laboratory test data available upon request.

## Metric

Metric dimensions are shown in parentheses. Unless noted, all metric dimensions are in millimeters.



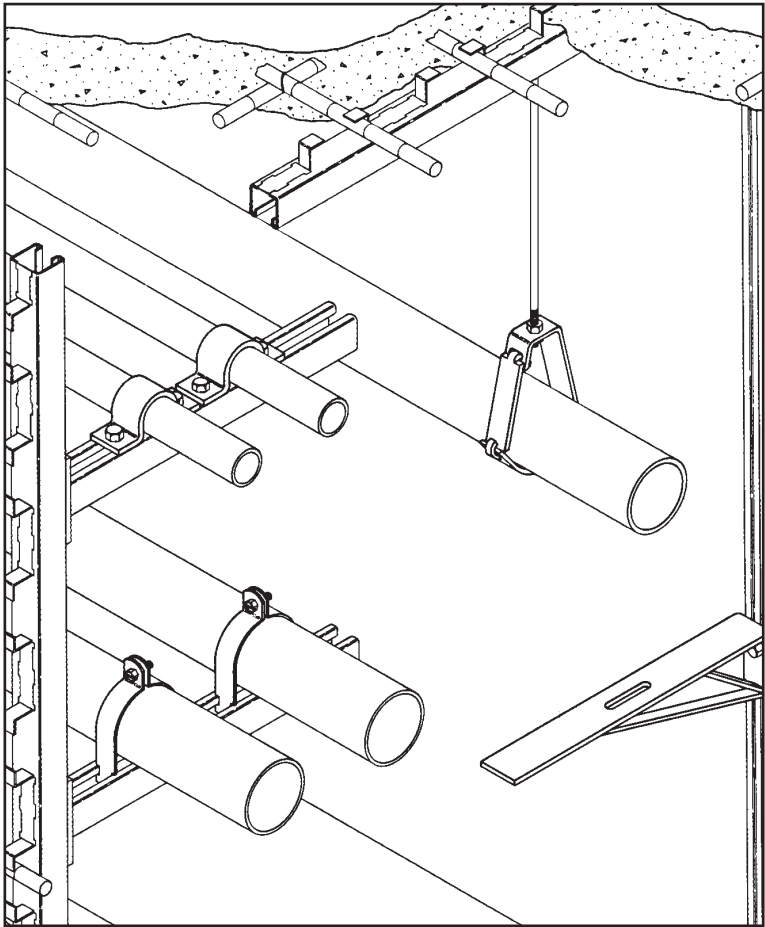


Continuous concrete inserts, installed in the ceiling, can be used to support trapeze hangers, suspended pipe racks, cable trays and single or multiple pipe hangers.

When installed in walls, continuous concrete inserts can be used as a support for tunnel stanchions, equipment braces, brackets and pipe racks.

Use spot inserts for single pipe-support or trapeze type hangers. Spot Inserts offer full flexibility of rod and fastener sizings.

Our channel can be attached to continuous concrete inserts in walls or ceilings. Channel can also be attached to concrete walls and floors with expansion anchors.



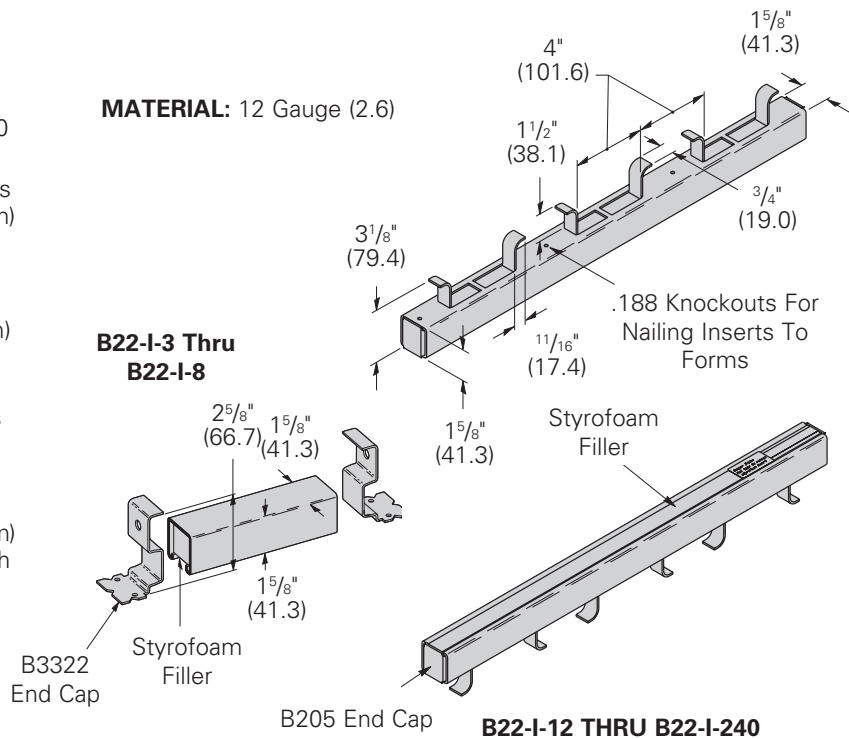
Concrete Inserts

Reference page 254 for general fitting and standard finish specifications.

# Continuous concrete inserts

## B22I Continuous Concrete Insert

- Design Load for B22-I-12 thru B22-I-240 is 2,000 lbs. (8.89 kN) per foot of concrete insert length with safety factor of 3 in 3000 psi concrete.
- Loads concentrated within the last 2 inches (50.8 mm) of concrete inserts 8" (203.2 mm) and longer should not exceed 1,000 lbs. (4.45kN).
- Concrete insert should be secured to the forms on 16" (406.4 mm) to 24" (609.6 mm) intervals.
- B22-I continuous concrete inserts are made from B22 channel. Use channel nuts designed for use in B22 channel.
- B22-I concrete inserts are supplied with styrofoam fillers. B3322 end caps are furnished with inserts through 8" (203.2 mm) long, and B205 end caps are furnished with inserts 12" (304.8 mm) and longer.
- Material: Plain Steel ASTM A1011 33,000 PSI min. yield or Pre-Galvanized Steel ASTM A653SS 33,000 PSI min. yield.
- Finish: Plain, DURA GREEN™, Pre-Galv, HDG



Part No.	Length		Wt./C		Design Load	
	in.	mm	Lbs.	kg	Lbs.	kN
B22-I-3	3"	(76)	72	(32.6)	500	(2.22)
B22-I-4	4"	(101)	88	(39.9)	800	(3.56)
B22-I-6	6"	(152)	120	(54.4)	1000	(4.45)
B22-I-8	8"	(203)	152	(68.9)	1200	(5.34)

Part No.	Length		Wt./C	
	in.	mm	Lbs.	kg
B22-I-12	12"	(305)	224	(101.6)
B22-I-16	16"	(406)	289	(131.1)
B22-I-20	20"	(508)	353	(160.1)
B22-I-24	24"	(609)	420	(190.5)
B22-I-32	32"	(813)	553	(250.8)
B22-I-36	36"	(914)	620	(281.2)
B22-I-40	40"	(1016)	686	(311.1)
B22-I-48	48"	(1219)	820	(371.9)
B22-I-60	60"	(1524)	1018	(461.7)
B22-I-72	72"	(1829)	1218	(552.5)
B22-I-84	84"	(2133)	1417	(642.7)
B22-I-96	96"	(2438)	1616	(733.0)
B22-I-108	108"	(2743)	1816	(823.7)
B22-I-120	120"	(3048)	2016	(914.4)
B22-I-144	144"	(3657)	2416	(1095.9)
B22-I-168	168"	(4267)	2816	(1277.3)
B22-I-192	192"	(4877)	3216	(1458.7)
B22-I-216	216"	(5486)	3616	(1640.2)
B22-I-240	240"	(6096)	4016	(1821.6)

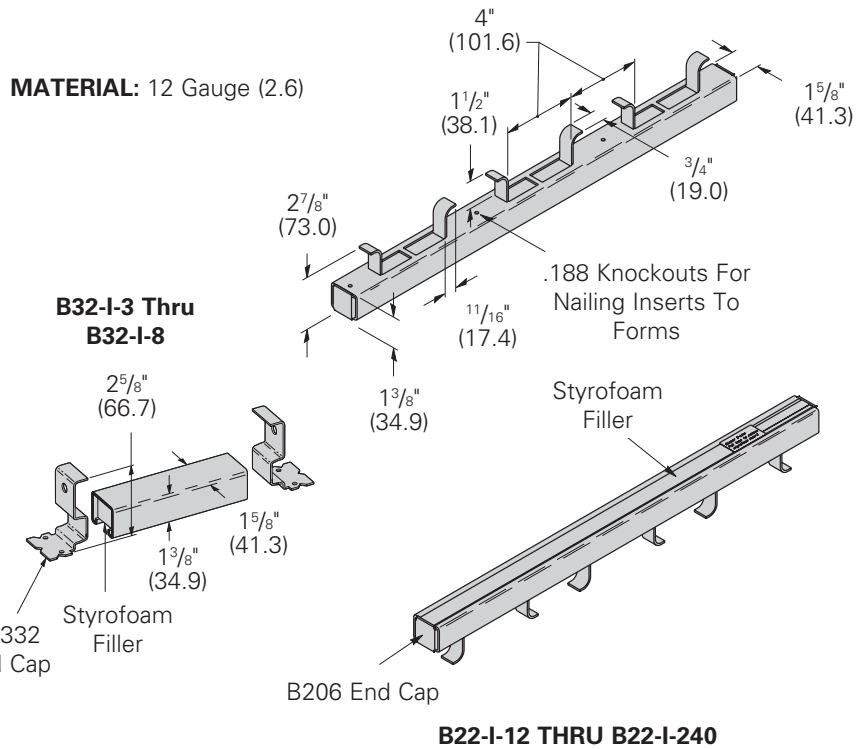
Reference page 254 for general fitting and standard finish specifications

# Continuous concrete inserts

## B32I Continuous Concrete Insert

- Design Load for B32-I-12 thru B32-I-240 is 2,000 lbs. (8.89 kN) per foot of concrete insert length with safety factor of 3 in 3000 psi concrete.
- Loads concentrated within the last 2 inches (50.8 mm) of concrete inserts 8" (203.2 mm) and longer should not exceed 1,000 lbs. (4.45kN).
- Concrete insert should be secured to the forms on 16" (406.4 mm) to 24" (609.6 mm) intervals.
- B32-I continuous concrete inserts are made from B32 channel. Use channel nuts designed for use in B32 channel.
- B32-I concrete inserts are supplied with styrofoam fillers. B3332 end caps are furnished with inserts through 8" (203.2 mm) long, and B206 end caps are furnished with inserts 12" (304.8 mm) and longer.
- Material: Plain Steel ASTM A1011 33,000 PSI min. yield or Pre-Galvanized Steel ASTM A653SS 33,000 PSI min. yield.
- Finish: Plain, DURA GREEN™, Pre-Galv, HDG

**MATERIAL:** 12 Gauge (2.6)



Part No.	Length		Wt./C		Design Load	
	in.	mm	Lbs.	kg	Lbs.	kN
<b>B32-I-3</b>	3"	(76)	65	(29.5)	500	(2.22)
<b>B32-I-4</b>	4"	(101)	80	(36.3)	800	(3.56)
<b>B32-I-6</b>	6"	(152)	108	(49.0)	1000	(4.45)
<b>B32-I-8</b>	8"	(203)	137	(62.1)	1200	(5.34)

Part No.	Length		Wt./C	
	in.	mm	Lbs.	kg
<b>B32-I-12</b>	12"	(305)	202	(91.6)
<b>B32-I-16</b>	16"	(406)	262	(118.8)
<b>B32-I-20</b>	20"	(508)	316	(143.3)
<b>B32-I-24</b>	24"	(609)	376	(170.5)
<b>B32-I-32</b>	32"	(813)	496	(225.0)
<b>B32-I-36</b>	36"	(914)	556	(252.2)
<b>B32-I-40</b>	40"	(1016)	616	(279.4)
<b>B32-I-48</b>	48"	(1219)	736	(333.8)
<b>B32-I-60</b>	60"	(1524)	915	(415.0)
<b>B32-I-72</b>	72"	(1829)	1095	(496.7)
<b>B32-I-84</b>	84"	(2133)	1274	(577.9)
<b>B32-I-96</b>	96"	(2438)	1453	(659.0)
<b>B32-I-108</b>	108"	(2743)	1633	(740.7)
<b>B32-I-120</b>	120"	(3048)	1813	(822.3)
<b>B32-I-144</b>	144"	(3657)	2173	(985.6)
<b>B32-I-168</b>	168"	(4267)	2533	(1148.9)
<b>B32-I-192</b>	192"	(4877)	2893	(1312.2)
<b>B32-I-216</b>	216"	(5486)	3253	(1475.5)
<b>B32-I-240</b>	240"	(6096)	3613	(1638.8)

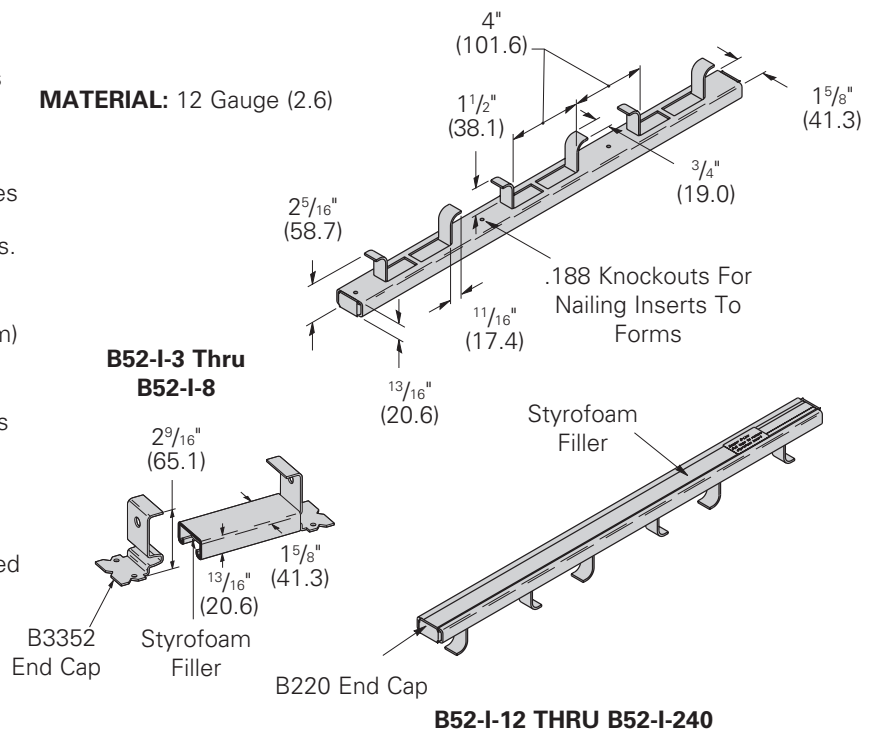
Reference page 254 for general fitting and standard finish specifications.

# Continuous concrete inserts

## B52 Continuous Concrete Insert

- Design Load for B52-I-12 thru B52-I-240 is 1,500 lbs. (6.67 kN) per foot of concrete insert length with safety factor of 3 in 3000 psi concrete.
- Loads concentrated within the last 2 inches (50.8 mm) of concrete inserts 8" (203.2 mm) and longer should not exceed 750 lbs. (3.33kN).
- Concrete insert should be secured to the forms on 16" (406.4 mm) to 24" (609.6 mm) intervals.
- B52-I continuous concrete inserts are made from B52 channel. Use channel nuts designed for use in B52 channel.
- B52-I concrete inserts are supplied with styrofoam fillers. B3352 end caps are furnished with inserts through 8" (203.2 mm) long, and B220 end caps are furnished with inserts 12" (304.8 mm) and longer.
- Material: Plain Steel ASTM A1011 33,000 PSI min. yield or Pre-Galvanized Steel ASTM A653SS 33,000 PSI min. yield.
- Finish: Plain, DURA GREEN™, Pre-Galv, HDG

**MATERIAL:** 12 Gauge (2.6)



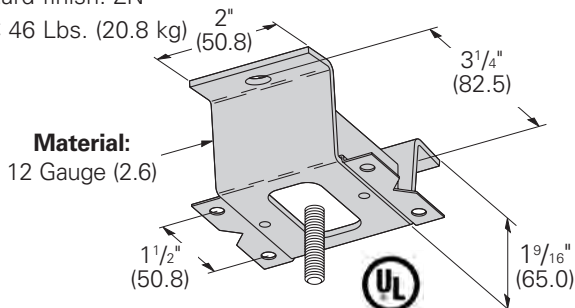
Part No.	Length		Wt./C		Design Load	
	in.	mm	Lbs.	kg	Lbs.	kN
B52-I-3	3"	(76)	53	(24.0)	400	(1.78)
B52-I-4	4"	(101)	63	(28.6)	500	(2.22)
B52-I-6	6"	(152)	85	(38.5)	750	(3.33)
B52-I-8	8"	(203)	106	(48.1)	1000	(4.45)

Part No.	Length		Wt./C	
	in.	mm	Lbs.	kg
B52-I-12	12"	(305)	157	(71.2)
B52-I-16	16"	(406)	202	(91.6)
B52-I-20	20"	(508)	237	(107.5)
B52-I-24	24"	(609)	282	(127.9)
B52-I-32	32"	(813)	373	(169.2)
B52-I-36	36"	(914)	419	(190.0)
B52-I-40	40"	(1016)	464	(210.4)
B52-I-48	48"	(1219)	556	(252.2)
B52-I-60	60"	(1524)	692	(313.9)
B52-I-72	72"	(1829)	829	(376.0)
B52-I-84	84"	(2133)	965	(437.7)
B52-I-96	96"	(2438)	1107	(502.1)
B52-I-108	108"	(2743)	1237	(561.1)
B52-I-120	120"	(3048)	1374	(623.2)
B52-I-144	144"	(3657)	1648	(747.5)
B52-I-168	168"	(4267)	1922	(871.8)
B52-I-192	192"	(4877)	2196	(996.1)
B52-I-216	216"	(5486)	2470	(1120.4)
B52-I-240	240"	(6096)	2744	(1244.6)

Reference page 254 for general fitting and standard finish specifications

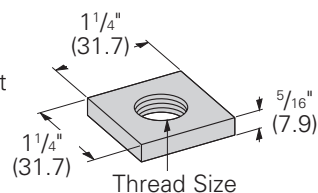
## B2500 Spot Insert

- Design Load 600 Lbs. (2.67 kN)
- Safety Factor of 5
- Order N2500 Nuts Separately
- Material: Steel ASTM A1011 33,000 PSI min. yield
- Standard finish: ZN
- Wt./C 46 Lbs. (20.8 kg)



## N2500 Insert Square Nut

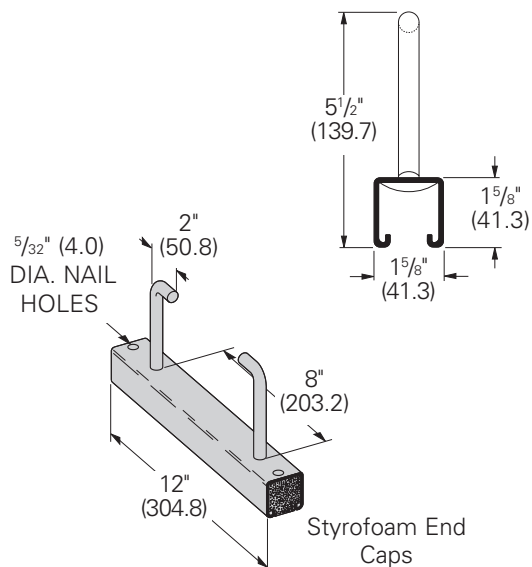
- For use in B2500 Spot Insert
- Material: Steel ASTM A36
- Standard finish: ZN



Part No.	Thread Size	Wt./C	
		Lbs.	kg
<b>N2500-1/4</b>	1/4"-20	13	(5.9)
<b>N2500-5/16</b>	5/16"-18	13	(5.9)
<b>N2500-3/8</b>	3/8"-16	12	(5.4)
<b>N2500-1/2</b>	1/2"-13	12	(5.4)
<b>N2500-5/8</b>	5/8"-11	11	(5.0)
<b>N2500-3/4</b>	3/4"-10	10	(4.5)
<b>N2500-7/8</b>	7/8"-9	9	(4.1)

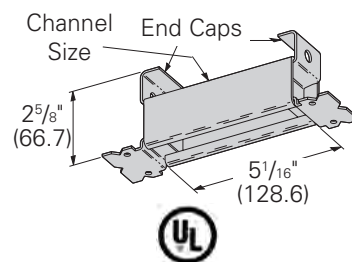
## B2503 Heavy Duty Spot Insert

- Designed for use where heavy loads are required in curtain wall applications
- Design Load is 5000 Lbs. (22.2 kN) with a Safety Factor of 3
- Loading based on two N225 channel nuts spaced 3" (76.2 mm) on center and a minimum of 2" (50.8 mm) from the end of the insert
- Styrofoam end caps prevent concrete seepage into the channel
- 12" (304.8 mm) long insert is anchored into the concrete at a depth of 5 1/2" (139.7 mm)
- Material: 12 Gauge (2.6 mm) thick steel
- Standard finish: ZN
- Wt./C 42 Lbs. (19.0 kg)



## B2505 Thru B2508 Spot Insert

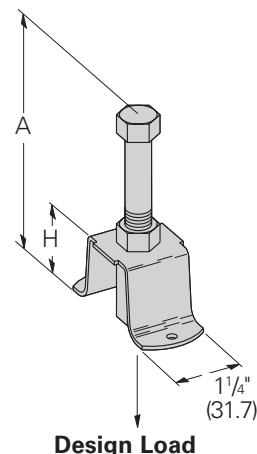
- Safety Factor of 5
- To support 10" (250) pipe use B2505 insert with 5/8"-11 Channel Nuts.
- To support up to and including 8" (200) pipes use B2506, B2507 and B2508 inserts with the desired Channel Nuts.
- Standard finish: ZN



Part No.	Channel Style	End Cap Part No.	Design Load		Maximum Pipe Size	Wt./C	
			Lbs.	kN		Lbs.	kg
<b>B2505</b>	B22	B3322	1200	(5.34)	10" (250)	96	(43.5)
<b>B2506</b>	B32	B3332	1000	(4.45)	8" (200)	88	(39.9)
<b>B2507</b>	B42	B3342	1000	(4.45)	8" (200)	77	(34.9)
<b>B2508</b>	B52	B3352	1000	(4.45)	8" (200)	69	(31.3)

## B2501 Light Duty Spot Insert

- Safety Factor of 2
- The concrete attachment problem solver for light duty applications.
- Fast and easy applications.
- No concrete leakage problems.
- One piece unitized construction.
- Color coded cap on thread for rod size identification and to prevent concrete seepage. (1/4"-Yellow, 3/8"-Red, 1/2"-Blue)



Part No. & Size	Height A		Height H		Design Load		Wt./C	
	In.	mm	In.	mm	Lbs.	kN	Lbs.	kN
<b>B2501-1/4</b>	2 7/16"	(61.9)	7/8"	(22.2)	250	(1.11)	16	(7.2)
<b>B2501-3/8</b>	3 1/16"	(77.8)	1 7/8"	(47.6)	610	(2.71)	22	(9.9)
<b>B2501-1/2</b>	4 1/8"	(104.8)	1 7/8"	(47.6)	880	(3.91)	26	(11.7)

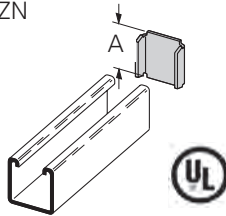
Reference page 254 for general fitting and standard finish specifications.

Concrete Inserts

# Insert accessories

## B205, B206, B220 X Type End Caps

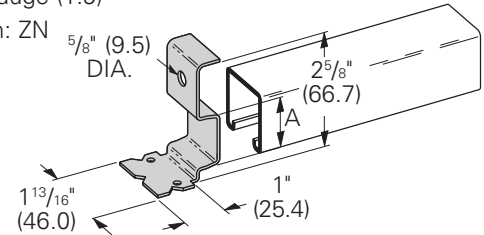
- UL listed for raceway use only
- Material: 12 Gauge (2.6)
- Standard finish: ZN



Part No.	Use With	A In. mm	Wt./C Lbs. kg
<b>B205</b>	B22	1 <sup>21</sup> / <sub>32</sub> " (42.0)	10 (4.5)
<b>B206</b>	B32	1 <sup>13</sup> / <sub>32</sub> " (35.7)	8 (3.6)
<b>B220</b>	B52	2 <sup>7</sup> / <sub>32</sub> " (21.4)	4 (1.8)

## B3322, B3332, B3342, B3352 Y Type End Caps

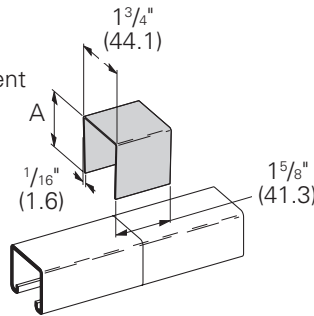
- UL listed for raceway use only
- Material: 14 Gauge (1.9)
- Standard finish: ZN



Part No.	Use With	A In. mm	Wt./C Lbs. kg
<b>B3322</b>	B22	1.270 (32.2)	15 (6.8)
<b>B3332</b>	B32	1.000 (25.4)	15 (6.8)
<b>B3342</b>	B42	.645 (16.4)	15 (6.8)
<b>B3352</b>	B52	.460 (11.7)	15 (6.8)

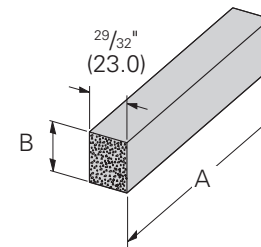
## B380 Joint Splice Plate

- Used at splice points to prevent concrete seepage in long continuous runs of concrete inserts.
- Material: 18 Gauge (1.2)
- Standard finish: GALV



Part No.	Use With	A In. mm	Wt./C Lbs. kg
<b>B380-22</b>	B22	1 <sup>5</sup> / <sub>8</sub> " (41.3)	11 (5.0)
<b>B380-32</b>	B32	1 <sup>3</sup> / <sub>8</sub> " (34.9)	10 (4.5)
<b>B380-42</b>	B42	1" (25.4)	9 (4.1)
<b>B380-52</b>	B52	1 <sup>3</sup> / <sub>16</sub> " (20.6)	7 (3.2)

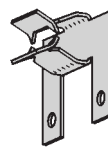
## B22IFS-B52IFS Styrofoam Filler Strip



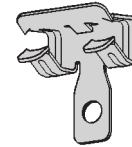
Part No.	A Ft. mm	B In. mm	Wt./C Lbs. kg
<b>B22-IFS</b>	4' (1219)	1 <sup>7</sup> / <sub>32</sub> " (309)	10 (4.5)
<b>B32-IFS</b>	4' (1219)	1" (254)	9 (4.1)
<b>B52-IFS</b>	4' (1219)	2 <sup>1</sup> / <sub>32</sub> " (167)	7 (3.2)

## Pipe Sleeve Fasteners

- Allows for rigid attachment of pipe sleeves to wall and floor forms for concrete pouring.
- Accommodates Schedule 40, Schedule 80, or 5/16" (8) and smaller wall thickness.
- Simply installed with a hammer.

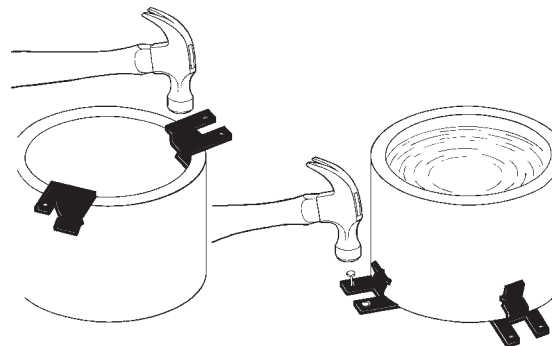


BD40



BE-5-8 & BE-9-12

Part No.	Sleeve Diameter	Wall Thickness
<b>BD40</b>	All Dia.	5/16" & under
<b>BE-5-8</b>	6"	Schedule 80 pipe
<b>BE-9-12</b>	9" - 14"	Schedule 80 pipe



Reference page 254 for general fitting and standard finish specifications



## Wedge Anchors †

- Heavy and medium duty all purpose anchor.
- For use in solid concrete and grout filled block.
- Anchors can be installed through the fixture, no need for hole spotting.
- **UL** (Underwriters Laboratories) Listed
- **FM** (Factory Mutual) Approved
- Available in Zinc Plated Carbon Steel or Type 304 Stainless Steel.

† Not ICC-ES Certified



Wedge Anchor - Data	1/4"	3/8"	1/2"	5/8"
ANSI Drill Bit Size (in.)	1/4	3/8	1/2	5/8
Fixture Clearance Hole (in.)	5/16	7/16	9/16	11/16
Thread Size (UNC)	1/4"-20	3/4"-16	1/2"-13	5/8"-11
Washer O.D. (in.)	5/8	13/16	1 1/16	1 3/4
Wrench Size	7/16	9/16	3/4	15/16
Max. Tightening Torque (ft-lbs)	8	28	60	90
Min. Embedment Depth (in.)	1 1/8	1 5/8	2 1/4	2 3/4
Load Capacity Tension (lbs) *	415	775	1200	1570
Load Capacity Shear (lbs) *	325	635	1050	1705

\* Based on concrete compression strength of 4,000 psi using applied safety factor of 4.

Catalog Number	Size	Thread Length
----------------	------	---------------

### Zinc Plated Carbon Steel

AWA-25-175	1/4" x 1 3/4"	3/4"
AWA-25-225	1/4" x 2 1/4"	1 1/4"
AWA-25-325	1/4" x 3 1/4"	2 1/4"
AWA-37-225	3/8" x 2 1/4"	1 1/4"
AWA-37-275	3/8" x 2 3/4"	1 5/8"
AWA-37-300	3/8" x 3"	1 7/8"
AWA-37-350	3/8" x 3 1/2"	2 3/8"
AWA-37-375	3/8" x 3 3/4"	2 5/8"
AWA-37-500	3/8" x 5"	3 7/8"
AWA-50-275	1/2" x 2 3/4"	1 3/8"
AWA-50-375	1/2" x 3 3/4"	2 3/8"
AWA-50-450	1/2" x 4 1/2"	3 1/8"
AWA-50-550	1/2" x 5 1/2"	4 1/8"
AWA-50-700	1/2" x 7"	5 5/8"
AWA-62-275	5/8" x 3 1/2"	2"
AWA-62-375	5/8" x 4 1/2"	3"
AWA-62-450	5/8" x 5"	3 1/2"
AWA-62-550	5/8" x 6"	4 1/2"
AWA-62-700	5/8" x 7"	5 1/2"

### Stainless Steel

AWA-25-175SS4	1/4" x 1 3/4"	3/4"
AWA-25-225SS4	1/4" x 2 1/4"	1 1/4"
AWA-25-325SS4	1/4" x 3 1/4"	2 1/4"
AWA-37-225SS4	3/8" x 2 1/4"	1 1/4"
AWA-37-275SS4	3/8" x 2 3/4"	1 5/8"
AWA-37-300SS4	3/8" x 3"	1 7/8"
AWA-37-350SS4	3/8" x 3 1/2"	2 3/8"
AWA-37-375SS4	3/8" x 3 3/4"	2 5/8"
AWA-37-500SS4	3/8" x 5"	3 7/8"
AWA-50-275SS4	1/2" x 2 3/4"	1 3/8"
AWA-50-375SS4	1/2" x 3 3/4"	2 3/8"
AWA-50-450SS4	1/2" x 4 1/2"	3 1/8"
AWA-50-550SS4	1/2" x 5 1/2"	4 1/8"
AWA-50-700SS4	1/2" x 7"	5 5/8"
AWA-62-275SS4	5/8" x 3 1/2"	2"
AWA-62-375SS4	5/8" x 4 1/2"	3"
AWA-62-450SS4	5/8" x 5"	3 1/2"
AWA-62-550SS4	5/8" x 6"	4 1/2"
AWA-62-700SS4	5/8" x 7"	5 1/2"

## Seismic Wedge Anchors

- Fully threaded, torque-controlled wedge anchor which is designed for consistent performance in cracked and uncracked concrete.
- For use in concrete, structural sand lightweight concrete, and concrete over metal deck.
- Nominal drill but size is the same as the anchor diameter.
- **ICC-ES Listed**, ESR-2502, Category 1.
- **UL** (Underwriters Laboratories) Listed
- **FM** (Factory Mutual) Approved
- Zinc Plated Carbon Steel with stainless steel expansion clip for premium performance.

Consult factory for sizes and other information.



Reference page 254 for general fitting and standard finish specifications.

# Anchors

## Concrete Screw Bolts

- For use in racking, shelving, material handling, structural anchorage, masonry and food & beverage facilities.
- One piece heavy-duty anchor with a finished hex-head.
- Fast installation and immediate loading reduces downtime.
- For proper performance, screw anchors must be installed with the corresponding bits. The bits have a matched tolerance range designed to provide optimum performance.
- **ICC-ES Listed, ESR 2526**, qualified for static, seismic and wind loading in concrete.
- **ICC-ES Listed, ESR 4042**, qualified for static, wind and seismic loading in grouted masonry.

Catalog Number	Anchor Length	Thread Length
<b>Screw Type Anchor - Steel</b>		
ACB-25-175	1/4" x 1 3/4"	1 5/8"
ACB-25-225	1/4" x 2 1/4"	2"
ACB-25-300	1/4" x 3"	2 3/4"
ACB-37-175	3/8" x 1 3/4"	1 1/2"
ACB-37-250	3/8" x 2 1/2"	2 1/4"
ACB-37-300	3/8" x 3"	2 3/4"
ACB-37-400	3/8" x 4"	3 3/4"



Catalog Number	Drill Size	Usable Length	Overall Length
<b>Drill Bits - Straight Shank Type</b>			
1372	1/4"	4"	6"
1380	3/8"	4"	6"
<b>Drill Bits - SDS Type</b>			
1314	1/4"	4"	6"
1316	3/8"	4"	6"



Straight Shank Drill Bit



SDS Hex Drill Bit

**Note:** Matched tolerance bits must be used for installation.

Concrete Screw Bolts - Data	1/4"	3/8"
ACB Drill Bit Size (in.)	1/4	3/8
Min. Embedment Depth (in.)	1	1 1/2
Load Capacity Tension (lbs) *	385	835
Load Capacity Shear (lbs) *	480	1125

\* Based on concrete compression strength of 4000 psi in uncracked concrete using applied safety factor of 4.0. For additional loading information contact factory. For ultimate strength design data in cracked and uncracked concrete, see ICC-ES ESR-3889.

## Concrete Screws

- Light to medium duty anchor for use in concrete, masonry block and brick base materials.
- Concrete screws are engineered with matched tolerance bits and installation tools to optimize performance.
- High low thread design for greater stability and grip.
- No hole spotting required.
- One drill bit is packaged in each box of concrete screws.
- Blue fluorocarbon coating for corrosion resistance.

Catalog Number	Size
----------------	------

### Hex Head Concrete Screws

<b>ACS-18-125H †</b>	$\frac{3}{16}$ " x $1\frac{1}{4}$ "
<b>ACS-18-175H †</b>	$\frac{3}{16}$ " x $1\frac{3}{4}$ "
<b>ACS-18-225H</b>	$\frac{3}{16}$ " x $2\frac{1}{4}$ "
<b>ACS-18-275H</b>	$\frac{3}{16}$ " x $2\frac{3}{4}$ "
<b>ACS-18-325H</b>	$\frac{3}{16}$ " x $3\frac{1}{4}$ "
<b>ACS-18-375H</b>	$\frac{3}{16}$ " x $3\frac{3}{4}$ "
<b>ACS-18-400H</b>	$\frac{3}{16}$ " x 4"
<b>ACS-25-125H †</b>	$\frac{1}{4}$ " x $1\frac{1}{4}$ "
<b>ACS-25-175H †</b>	$\frac{1}{4}$ " x $1\frac{3}{4}$ "
<b>ACS-25-225H</b>	$\frac{1}{4}$ " x $2\frac{1}{4}$ "
<b>ACS-25-275H</b>	$\frac{1}{4}$ " x $2\frac{3}{4}$ "
<b>ACS-25-325H</b>	$\frac{1}{4}$ " x $3\frac{1}{4}$ "
<b>ACS-25-375H</b>	$\frac{1}{4}$ " x $3\frac{3}{4}$ "
<b>ACS-25-400H</b>	$\frac{1}{4}$ " x 4"

### Flat Head Concrete Screws

<b>ACS-18-125F †</b>	$\frac{3}{16}$ " x $1\frac{1}{4}$ "
<b>ACS-18-175F †</b>	$\frac{3}{16}$ " x $1\frac{3}{4}$ "
<b>ACS-18-225F</b>	$\frac{3}{16}$ " x $2\frac{1}{4}$ "
<b>ACS-18-275F</b>	$\frac{3}{16}$ " x $2\frac{3}{4}$ "
<b>ACS-25-125F †</b>	$\frac{1}{4}$ " x $1\frac{1}{4}$ "
<b>ACS-25-175F †</b>	$\frac{1}{4}$ " x $1\frac{3}{4}$ "
<b>ACS-25-225F</b>	$\frac{1}{4}$ " x $2\frac{1}{4}$ "
<b>ACS-25-275F</b>	$\frac{1}{4}$ " x $2\frac{3}{4}$ "

† Not ICC-ES listed

Hex Head



Hex Head - Data	$\frac{3}{16}$ "	$\frac{1}{4}$ "
ANSI Drill Bit Size (in.)	$\frac{5}{32}$	$\frac{3}{16}$
Fixture Clearance Hole (in.)	$\frac{1}{4}$	$\frac{5}{16}$
Head Height (in.)	$\frac{7}{64}$	$\frac{9}{64}$
Head Width (in.)	$\frac{1}{4}$	$\frac{5}{16}$
Washer O.D. (in.)	$\frac{11}{32}$	$\frac{13}{32}$
Washer Thickness (in.)	$\frac{1}{32}$	$\frac{1}{32}$
Hex Driver (in.)	$\frac{1}{4}$	$\frac{5}{16}$

Flat Head



Flat Head - Data	$\frac{3}{16}$ "	$\frac{1}{4}$ "
ANSI Drill Bit Size (in.)	$\frac{5}{32}$	$\frac{3}{16}$
Fixture Clearance Hole (in.)	$\frac{1}{4}$	$\frac{5}{16}$
Phillips Head O.D. (in.)	$\frac{3}{8}$	$\frac{1}{2}$
Phillips Head Height (in.)	$\frac{9}{64}$	$\frac{3}{16}$
Phillips Bit Size	2	3

Embedment Depth	Nominal Anchor Dia. / Loading*			
	$\frac{3}{16}$ " Tension	$\frac{3}{16}$ " Shear	$\frac{1}{4}$ " Tension	$\frac{1}{4}$ " Shear
$1\frac{3}{4}$ "	360	240	555	375

\* Based on concrete compression strength of 4000 psi using applied safety factor of 4.0. For additional loading information contact factory.

**ICC-ES Listed, ESR 3068**, qualified for static, wind and loading in concrete.

**ICC-ES Listed, ESR 1678**, qualified for static, wind and seismic loading in grouted concrete.

**ICC-ES Listed, ESR 3213**, qualified for use in chemically treated wood.

**ICC-ES Listed, ESR 3042**, qualified for use in wood.



Straight Shank Drill Bit



SDS Hex Drill Bit

Catalog Number	Bit Size	Usable Length
----------------	----------	---------------

### Straight Shank Drill Bits

<b>2782SD</b>	$\frac{5}{32}$ " x $4\frac{1}{2}$ "	3"
<b>2786SD</b>	$\frac{3}{16}$ " x $4\frac{1}{2}$ "	3"

### SDS Hex Drill Bits

<b>2793</b>	$\frac{5}{32}$ " x 5"	3"
<b>2796</b>	$\frac{3}{16}$ " x 5"	3"



Catalog Number	Description
----------------	-------------

### Setting Tool

<b>2791</b>	Concrete Screw Tool Kit
-------------	-------------------------

Reference page 254 for general fitting and standard finish specifications.

# Anchors

## Wood-Knocker<sup>†</sup> Anchors

- Wood-Knocker™ concrete inserts are installed on wooden forms used to support newly poured concrete floors, roof slabs, or walls.
- When the forms are stripped, the color-coded flange is visibly embedded in the concrete surface.
- The unique, six-sided impact plate offers resistance to rotation within the concrete as threaded rod is being installed.
- Suitable for overhead installations such as suspending cable tray, pipe hangers, strut, and conduit.
- Color coded by size for all trades.
- Lowest in-place cost.
- **ICC-ES** Certified. See ICC-ESR-3657
- **UL** (Underwriters Laboratories) Listed
- **FM** (Factory Mutual) Approved



## Wood-Knocker™ Anchors

Catalog Number	Rod Diameter	Color
ACPW-25-2	1/4"	Brown
ACPW-37-2	3/8"	Green
ACPW-3750-2	3/8"-1/2"	Gray
ACPW-50-2	1/2"	Yellow
ACPW-62-2	5/8"	Red
ACPW-75-2	3/4"	Purple

Wood Knocker - Data	1/4"	3/8"	1/2"	5/8"	3/4"
Insert Thread Length (in.)	3/8	5/8	11/16	15/16	1 1/8
Plastic Flange Diameter (in.)	1 3/8	1 3/8	1 3/8	1 5/8	1 5/8
Thread Size (UNC)	1/4"-20	3/8"-16	1/2"-13	5/8"-11	3/4"-10
Overall Length (in.)	1 7/8	1 7/8	1 7/8	1 7/8	1 7/8
Min. Insert Spacing (in.)	9	9	9	12	12
Min. End Distance (in.)	6	6	6	9	9
Load Capacity Tension (lbs) *	1240	1605	1605	1550	1550
Load Capacity Shear (lbs) *	495	1775	2465	3785	3785

\* Based on normal weight concrete with minimum compression strength of 3000 psi. Allowable load capacities are calculated using applied safety factor of 4.0. For additional loading information contact factory.  
Minimum embedment depth is 2".

† Wood-Knocker™ is a registered trademark used by DeWalt

Reference page 254 for general fitting and standard finish specifications

## Bang-It<sup>†</sup> Anchors

- Bang-It<sup>™</sup> concrete inserts are designed for installation in and through metal composite deck used to support newly poured concrete floors or roof slabs.
- After installation, the protective sleeve of the insert protrudes below the surface of the deck, allowing overhead attachment of threaded rod.
- The unique, six sided impact plate offers resistance to rotation within the concrete as threaded rod is being installed.
- Suitable for overhead installations such as suspending cable tray, pipe hangers, strut, and conduit.
- Color coded by size for all trades.
- **ICC-ES** Certified. See ICC-ESR-3657
- **UL** (Underwriters Laboratories) Listed
- **FM** (Factory Mutual) Approved
- Lowest in-place cost.



## Bang-It+ Anchors

Catalog Number	Rod Diameter	Color
ACPD-25	1/4"	Brown
ACPD-37	3/8"	Green
ACPD-3750-2	3/8"-1/2"	Gray
ACPD-50	1/2"	Yellow
ACPD-62	5/8"	Red
ACPD-75	3/4"	Purple

## Carbide Hole Saw for Bang-It+ Anchors

Number	Catalog Description
ACPD-HS813-2	1 <sup>3</sup> / <sub>16</sub> " diameter for 1/4", 3/8", & 1/2" sizes
ACPD-HS1188-2	1 <sup>3</sup> / <sub>16</sub> " diameter for 5/8" & 3/4" sizes

Bang-It - Data	1/4"	3/8"	1/2"	5/8"	3/4"
Metal Hole Saw Diameter (in.)	1 <sup>3</sup> / <sub>16</sub>	1 <sup>3</sup> / <sub>16</sub>	1 <sup>3</sup> / <sub>16</sub>	1 <sup>3</sup> / <sub>16</sub>	1 <sup>3</sup> / <sub>16</sub>
Drilling Speed (rpm)	700-900	700-900	700-900	500-700	500-700
Insert Thread Length (in.)	3/8	5/8	1 <sup>1</sup> / <sub>16</sub>	1 <sup>5</sup> / <sub>16</sub>	1 <sup>1</sup> / <sub>8</sub>
Length of Sleeve (in.)	3 <sup>3</sup> / <sub>8</sub>	3 <sup>3</sup> / <sub>8</sub>	3 <sup>3</sup> / <sub>8</sub>	3 <sup>3</sup> / <sub>8</sub>	3 <sup>3</sup> / <sub>8</sub>
Thread Size (UNC)	1/4"-20	3/8"-16	1/2"-13	5/8"-11	3/4"-10
Embedment Depth (in.)	2	2	2	2	2
Upper Deck Tension Load (lbs) *	1115	1915	2370	2935	2935
Lower Deck Tension Load (lbs) *	830	830	830	930	990
Upper Deck Shear Load (lbs) *	835	1115	1115	1115	1115
Lower Deck Shear Load (lbs) *	625	840	840	840	840

\* Based on sand lightweight and normal weight concrete with minimum compression strength of 3000 psi over steel deck.

Allowable load capacities are calculated using applied safety factor of 4.0.

For additional loading information contact factory.

Minimum insert spacing of 6", minimum end spacing 6".

† Bang-It<sup>™</sup> is a registered trademark used by DeWalt

Reference page 254 for general fitting and standard finish specifications.

# Anchors

## Rapid Rod Hangers for Steel †

- One-piece, all steel threaded fastener system for suspending steel threaded rod.
- Suitable for overhead installations such as suspending cable tray, pipe hangers, strut and conduit.
- Side Mount (SW) available for side mounting applications.
- Lower in-place cost, when compared to beam clamps, lag bolts and drop-ins.
- Steel rapid rods can be installed with a screw gun or hammer drill.
- **UL** (Underwriters Laboratories) Listed
- **FM** (Factory Mutual) Approved
- Made of Zinc Plated carbon steel.



† Not ICC-ES Certified

Catalog Number	Rod Size	Shank Size & Length
----------------	----------	---------------------

### Steel Rod Hanger - Point Style #3 For Purlins

ARS-25-100-2	1/4"	1/4" x 1"
ARS-37-100HN-2 **	3/8"	1/4" x 1" w/nuts
ARS-37-150-2	3/8"	1/4" x 1 1/2"
ARS-37-150HN-2 **	3/8"	1/4" x 1 1/2" w/nuts
ARS-37-200-2	3/8"	1/4" x 2"

### Steel Rod Hanger - Side Mount - Point Style #3 For Purlins

ARS-25-100SW-2	1/4"	1/4" x 1" w/nuts
ARS-37-100SW-2	3/8"	1/4" x 1" w/nuts

### Steel Rod Hanger - Point Style #5 For Purlins

ARS-37-150HDHN-2 **	3/8"	#12-24 x 1 1/2" w/nuts
---------------------	------	------------------------

\*\* For UL & FM listings, steel rapid rod should be installed with a retaining nut.

Catalog Number	Tool Description
7187-2	Steel Socket



## Steel Rapid Rod™ - Data

Description	Rod Size	Min. Thickness	Max. Thickness	Load (Material Thickness)	Load Direction	UL		FM APPROVED	
						Pipe Size	Pipe Thickness	Pipe Size	Pipe Thickness
ARS-25-100-2	1/4"	0.060	0.250	593 (0.125")	-	-	-	-	-
ARS-37-100HN-2	3/8"	0.060	0.250	1172 (0.125")	V	4"	0.125"	4"	12 ga.
ARS-37-150-2	3/8"	0.188	0.250	593 (0.125")	V	4"	0.060"	-	-
ARS-37-150HN-2	3/8"	0.060	0.250	1172 (0.125")	V	4"	0.060"	-	-
ARS-37-200-2	3/8"	0.060	0.250	593 (0.125")	V	4"	0.125"	-	-
ARS-25-100SW-2	3/8"	0.060	0.250	642 (0.111")	H	4"	-	-	-
ARS-37-100SW-2	3/8"	0.060	0.250	702 (0.111")	H	4"	0.060"	4"	16 ga.
ARS-37-150HDHN-2	3/8"	0.060	0.250	1452 (0.111")	V	4"	0.125"	4"	12 ga.

Loads shown for ASTM A36 steel beams and ASTM A572 steel purlins include a safety factor of 4.

For UL & FM listings, steel rapid rod must be installed with a retaining nut. UL & FM load rating for 3/8" rapid rod is 365 lbs. and can support up to a maximum 4" pipe.

### Steel Rapid Rod - Data

Point Style	#3	#5
Self-Drilling Range (in.)	1/16 - 1/4	1/16 - 1/2
Screw Size (UNC) *	1/4"-20	1/4"-20

\* Dimensions for self-drilling (embedded) portion of anchor.

Reference page 254 for general fitting and standard finish specifications



## Rapid Rod Hangers for Concrete<sup>†</sup>

### Rapid Rod Hangers for Wood<sup>†</sup>

- One-piece, all steel threaded fastener system for suspending steel threaded rod.
- Suitable for overhead installations such as suspending cable tray, pipe hangers, strut and conduit.
- Side Mount (SW) available for side mounting applications.
- Lower in-place cost, when compared to beam clamps, lag bolts and drop-ins.
- Wood rapid rods can be installed with a screw gun or hammer drill.
- Concrete Rapid Rod™ hangers can be installed with an adjustable torque, battery powered screw gun or hammer drill.
- **UL** (Underwriters Laboratories) Listed
- **FM** (Factory Mutual) Approved
- Made of Zinc Plated carbon steel.



ARC Series

ARW Series

ARW-SW Series

Catalog Number	Rod Size	Shank Size & Length
----------------	----------	---------------------

#### Concrete Rod Hanger - ANSI Wedge-Bolt OT Thread Shank Style

ARC-25-125	1/4"	1/4" x 1 5/8"
ARC-37-150	3/8"	1/4" x 1 5/8"
ARC-37-275	3/8"	3/8" x 2 3/4"

For side mount concrete applications use ARW-25-100SW or ARW-37-200SW with 3/16" drill bit.

#### Wood Rod Hanger - Point Style Type 17

ARW-25-200	1/4"	1/4" x 2"
ARW-37-100	3/8"	1/4" x 1"
ARW-37-200	3/8"	1/4" x 2"
ARW-37-250	3/8"	5/16" x 2 1/2"
ARW-50-250	1/2"	5/16" x 2 1/2"

#### Wood Rod Hanger - Side Mount - Point Style Type 17

ARW-25-100SW	1/4"	1/4" x 1"
ARW-37-200SW	3/8"	1/4" x 2"

#### Catalog Tool Number Description

##### Tools

7187-2	Wood Socket
7195-2	1/4" Concrete Socket
7197-2	3/8" Concrete Socket
5874	Concrete Tapper Sleeve Assy.
5866	1/4" X 6" Hex Shank SDS Drill Bit



7187



7195



7197

Reference page 254 for general fitting and standard finish specifications.

## Rapid Rod Hangers - Concrete

Concrete Rapid Rod - Data	1/4"	3/8"	3/8"
ANSI Drill Bit (in.)	1/4	1/4	1/4
Thread Length (in.)	1 5/8	1 5/8	2 1/2
Min. Embedment Depth (in.)	1 5/8	1 5/8	2 1/2
Load Capacity Tension (lbs.) *	815	815	1050
Load Capacity Shear (lbs.) *	380	525	525

\* Based on concrete compression strength of 4000 psi using applied safety factor of 4.0. For additional loading information contact factory.

FM approved load capacity for 3/8" anchor is 365 lbs., maximum 4" pipe size.

## Rapid Rod Hangers - Wood

Wood Rapid Rod - Data	1/4" Thread Forming	3/8" Thread Forming
Pre-Drill Diameter (in.)	1/8	1/8
Point Style	Type 17	Type 17

#### Wood Rapid Rod - Embedment & Load Data (lbs.)

Rod/Anchor Size	Embedment Depth	Fir	Pine	Spruce
1/4"	1"	170	160	160
3/8"	2"	375	375	375
1/2"	2 1/2"	665	775	775

Minimum load ratings are based on a safety factor of 4.

UL approved load capacity for 3/8" rod sizes and 1/4" screw size is 260 lbs., maximum 3" pipe. UL approved load capacity for 3/8" rod sizes and 3/8" screw size is 375 lbs., maximum 4" pipe.

FM approval only applies to 3/8" x 2 1/2" screw size. Approved for 365 lbs., up to 4" pipe.

† Not ICC-ES Certified

# Anchors

## Self-Tapping Screw Anchors

- For use in normal-weight concrete, structural sand lightweight concrete and concrete over metal deck.
- Anchor design allows for shallow embedment and mechanically interlocks with base material.
- Internally threaded anchor for easy adjustment and removability of threaded rod or bolt.
- Fast anchor installation with a powered impact wrench.
- Suitable for overhead applications such as suspending cable tray, strut, pipe hangers and conduit.
- **FM** Approved.
- **ICC-ES** certified. See ICC-ES ESR-2272.
- Made of Zinc Plated carbon steel.
- Setting tool included.



ATM-37 Anchor

Catalog Number	Size	Thread Depth
<b>Self-Tapping Screw Anchor</b>		
<b>ATM-37</b>	3/8"	1 1/16"

### Tool

<b>6407 SD</b>	3/8"	—
----------------	------	---



6407 SD Tool

ICC-ES certified. See ICC-ES ESR-2272.

Self-Tapping Machine Screw - Data	3/8"
ANSI Drill Bit Size (in.)	1/2
Min. Concrete Thickness (in.)	4
Max. Tightening Torque (ft-lbs)	8
Min. Embedment Depth (in.)	1 5/8
Load Capacity Tension (lbs) *	590
Load Capacity Shear (lbs) *	260

\* Based on concrete compression strength of 3000 psi in uncracked concrete using applied safety factor of 4.0.

For additional loading information contact factory. The shear capacity is controlled by steel strength and is ASTM A36 (or equivalent).

For ultimate strength design data in cracked and uncracked concrete, see ICC-ES ESR-2272.

## Sleeve Type Expansion Anchors

- For use in concrete and masonry substrates.
- Suitable for solid and hollow core materials.
- Fits standard fixture holes - no need to undersize anchors for proper fit.
- Sleeve has 360° contact area and reduces concrete stress.
- **UL** Listed and **FM** Approved
- Zinc Plated Steel and (Type 304 Stainless Steel \*\* add SS4 to part number)



Hex Nut (HN) Style



Acorn Nut (AN) Style



Slotted Round Head (RS) Style

Sleeve Type Expansion - Data	1/4"	3/8"	1/2"	5/8"	3/4"
ANSI Drill Bit Size (in.)	1/4	3/8	1/2	5/8	3/4
Fixture Clearance Hole (in.)	5/16	7/16	9/16	1 1/16	1 5/16
Plow Bolt Size (UNC)	#10-24	5/16"-18	3/8"-16	1/2"-13	5/8"-11
Min. Embedment Depth (in.)	1/2	1 1/4	1 1/2	2	2 1/4
Load Capacity Tension (lbs) *	65	540	645	1405	1455
Load Capacity Shear (lbs) *	250	1030	1215	1215	2760



For loading information, see ICC-ES ESR-2502.

Rod Hanger (RH) Style

Sleeve Type Expansion - Data	Hanger Rod		
	1/4"	3/8"	1/2"
ANSI Drill Bit Size (in.)	1/4	3/8	1/2
Fixture Clearance Hole (in.)	NA	NA	NA
Plow Bolt Size (UNC)	#10-24	5/16"-18	3/8"-16
Coupling Height (in.)	7/8	1	1 1/4
Min. Embedment Depth (in.)	1/2	1 1/4	1 1/2
Load Capacity Tension (lbs) *	65	540	645
Load Capacity Shear (lbs) *	250	1030	1215

\* Based on concrete compression strength of 4000 psi using applied safety factor of 4.0. For additional loading contact factory.

Catalog Number	Size	Thread Length
<b>Hex Nut Style</b>		
<b>ASA-37-187HN</b>	3/8" x 1 7/8" **	1 5/8"
<b>ASA-37-300HN</b>	3/8" x 3" **	1 5/8"
<b>ASA-37-400HN</b>	3/8" x 4"	1 5/8"
<b>ASA-50-225HN</b>	1/2" x 2 1/2" **	2 1/8"
<b>ASA-50-300HN</b>	1/2" x 3" **	2 1/4"
<b>ASA-50-400HN</b>	1/2" x 3 3/4" **	2 1/4"
<b>ASA-50-525HN</b>	1/2" x 5 1/4"	2 1/4"
<b>ASA-50-600HN</b>	1/2" x 6"	2 1/4"
<b>ASA-62-225HN</b>	5/8" x 2 1/2"	2 1/8"
<b>ASA-62-300HN</b>	5/8" x 3"	2 3/4"
<b>ASA-62-425HN</b>	5/8" x 4 1/4" **	2 3/4"
<b>ASA-62-600HN</b>	5/8" x 5 3/4"	2 3/4"
<b>ASA-75-250HN</b>	3/4" x 2 3/4"	2 1/8"
<b>ASA-75-425HN</b>	3/4" x 4 1/4"	3/8"
<b>ASA-75-625HN</b>	3/4" x 6 1/4"	3/8"

### Acorn Nut Style

<b>ASA-25-62AN</b>	1/4" x 5/8"	1/2"
<b>ASA-25-137AN</b>	1/4" x 1 3/8"	1 1/8"
<b>ASA-25-225AN</b>	1/4" x 2 1/4"	1 1/8"

### Slotted Round Head Style

<b>ASA-25-112RS</b>	1/4" x 1 3/8"	1"
<b>ASA-25-200RS</b>	1/2" x 2 1/4"	1 1/8"

Catalog Number	Size	Drill Diameter
<b>Rod Hanger</b>		
<b>ASA-25-150RH</b>	1/4" x 1 1/2"	5/16"
<b>ASA-37-187RH</b>	3/8" x 1 7/8"	3/8"
<b>ASA-50-225RH</b>	1/2" x 2 1/4"	1/2"

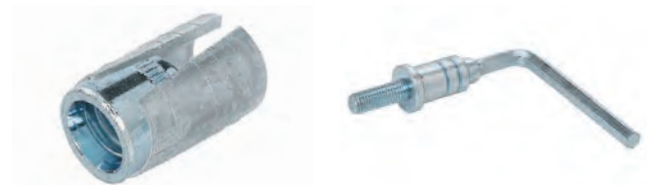
Reference page 254 for general fitting and standard finish specifications

## Hollow Base Drop-in Anchors ‡

- For use in hollow base materials such as hollow concrete block, brick with weep holes, and precast hollow core plank.
- Can also be used in solid base materials.
- Smooth wall drop-in can be installed flush mounted or below the base material surface.
- Available in Zinc Plated finish.

Catalog Number	Rod Size	Overall Length	Sleeve Length
<b>Hollow Base Drop-In</b>			
ADH-25	1/4"	7/8"	5/8"
ADH-37	3/8"	1 5/16"	1 5/16"
ADH-50	1/2"	1 3/4"	1 1/4"
<b>Setting Tools</b>			
9323	1/4"	—	—
9343	3/8"	—	—
9353	1/2"	—	—

‡ Not ICC-ES certified



Anchor	Setting Tool		
<b>Hollow Base Drop-In - Data</b>	1/4"	3/8"	1/2"
ANSI Drill Bit Size (in.)	3/8	5/8	3/4
Max. Tightening Torque (ft-lbs)	5	10	20
Thread Size (UNC)	1/4"-20	3/8"-16	1/2"-13
Thread Length In Cone (in.)	3/8	5/8	3/4
Min. Embedment Depth (in.)	3/4	1	1 1/2
Load Capacity Tension (lbs) *	230	415	805
Load Capacity Shear (lbs) *	240	510	805

\* Based on concrete compression strength of 4000 psi using applied safety factor of 4.0. For additional loading information contact factory.

## Wall Screws

- One-piece, all steel anchor with high-profile threads for easy fastening into wallboard and other masonry base materials.
- Deep cutting, corkscrew-like threads provide for smooth entry and a strong hold.
- No pre-drilling is required when fastening into wallboard or wood.
- Fastening into concrete, hollow or grout filled block, brick and plaster requires a pre-drilled 3/16" ANSI hole.
- Installed with a No. 8 drill bit or No. 2 Phillips driver.
- Made of case hardened carbon steel with chrome finish.

Catalog Number	Size	Head Type
<b>Wall Screw</b>		
AWS-CH	3/16" x 1 1/4"	Combo
AWS-OH	3/16" x 1 1/4"	Oval
AWS-PH	3/16" x 1 1/4"	Pan

‡ Not ICC-ES certified



Wall Screw - Data	Minimum Embedment Depth	Load Cap. Tension (lbs.) *	Load Cap. Shear (lbs.) *
Concrete *	3/4"	90	260
1/2" Wallboard	NA	20	60
5/8" Wallboard	NA	35	90
3/4" Plywood	NA	65	150
Grout-Filled Concrete Masonry	1"	55	165
Hollow Concrete Masonry	1"	60	165
Brick Masonry	3/4"	70	120

\* Based on concrete compression strength of 4000 psi. Allowable load capacities are calculated using an applied safety factor of 4.0. For additional loading contact factory.

## Plastic Screw Anchors

- Designed for use with lightweight fixtures.
- Recommended for use in concrete, block and brick.
- Recommended for light duty static applications where holding power is not critical.
- Not recommended for overhead use.
- Kit includes 100 anchors, 100 screws and one drill bit.
- Made of engineered plastic.



Catalog Number	Screw Size
APC-8K	#8 x 1"
APC-10K	#10 x 1"
APC-12K	#12 x 1"

Plastic Conical Anchor - Data	#8		#10 - #12	
	Tension Shear (lbs.)	(lbs.)	Tension Shear (lbs.)	(lbs.)
Nominal Weight Concrete *	85	70	140	90
Hollow Concrete Masonry **	60	45	70	55
Clay Brick Masonry ***	30	50	55	65
Minimum Embedment Depth	7/8"	7/8"	1"	1"

\* Based on concrete compression strength of 4000 psi.

\*\* Based on hollow concrete masonry with minimum compression strength of 1500 psi.

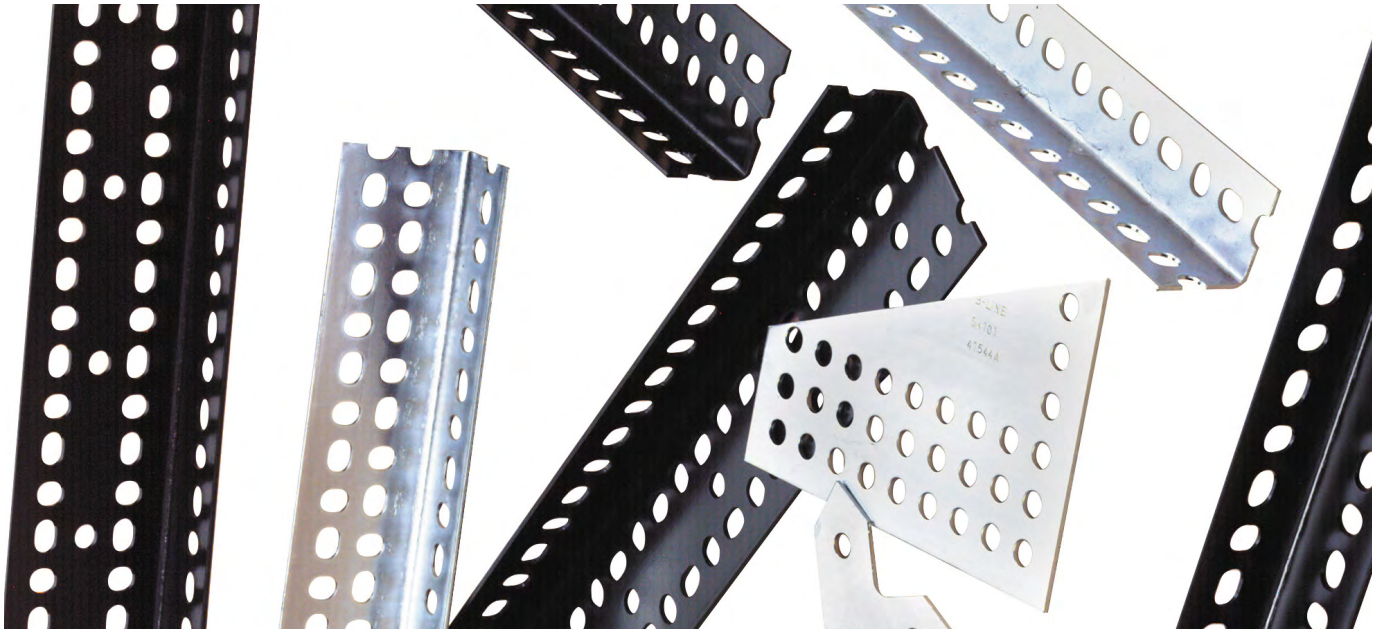
\*\*\* Based on clay brick masonry with minimum compression strength of 1500 psi.

Loads contain an applied safety factor of 4.0.

For additional loading information contact factory.

Reference page 254 for general fitting and standard finish specifications.

# Slotted angle



Our slotted angle is an all-purpose framing system, roll formed from high strength steel strips. It is designed to be used as economical shelving, racks or electrical and mechanical supports. The unique pattern of horizontal and vertical slots permits full flexibility. Three basic sizes are available for light, medium, and heavy duty applications.

## Materials & Finishes\*

Finish Code	Finish	Specification
PLN	Plain	ASTM A1011 33,000 PSI min. yield
ZN	Electro-Plated Zinc	ASTM B633 SC3
GRN	DURA GREEN™	
GALV	Pre-Galvanized	ASTM A653 33,000 PSI min. yield

\*Unless otherwise noted.

## Lengths

Standard lengths are 10' (3.05 m) and 12' (3.66 m). Slotted angle is shipped in ten piece bundles complete with 60 pieces of  $\frac{3}{8}$ "-16 x  $\frac{3}{4}$ " (19mm) hex head cap screws and  $\frac{3}{8}$ " hex nuts.

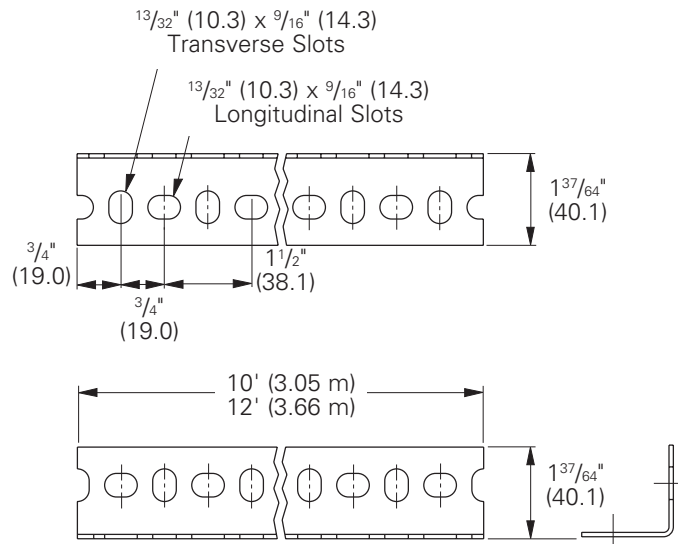
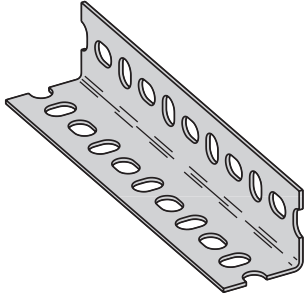
## Metric

Metric dimensions are shown in parentheses. Unless noted, all metric dimensions are in millimeters.

# Slotted angle sizes

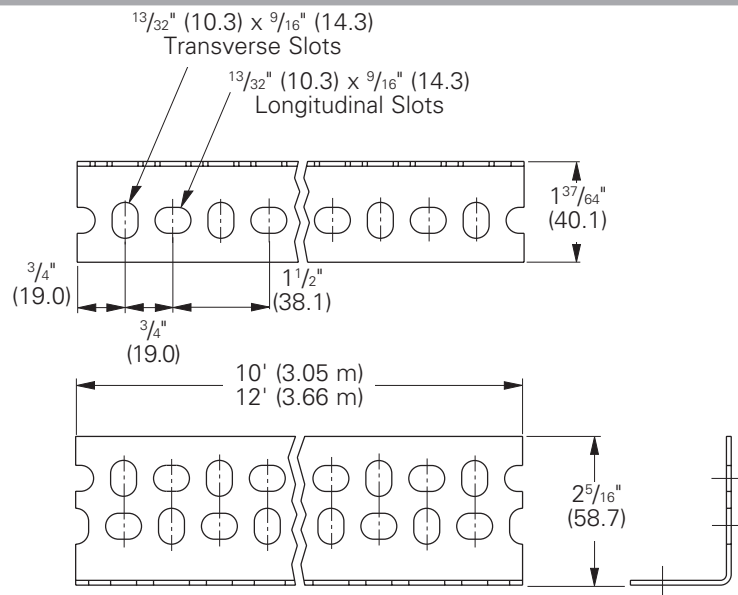
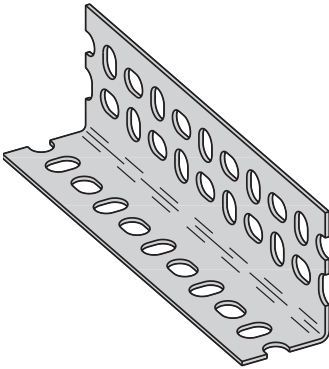
## SA158

- 14 Gauge (1.9)
- $1\frac{5}{8}" \times 1\frac{5}{8}"$
- Standard finishes: ZN, GRN
- Wt./Ft. .66 Lbs. (.98 kg/m)



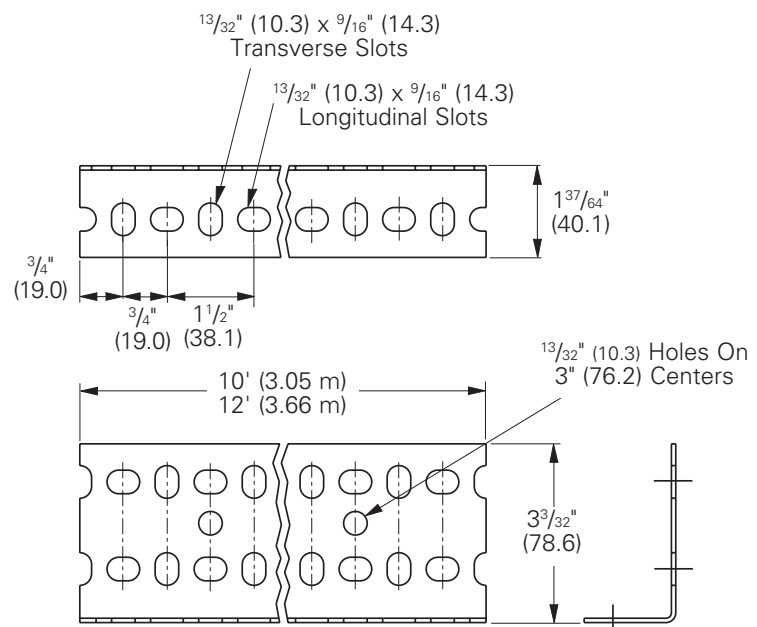
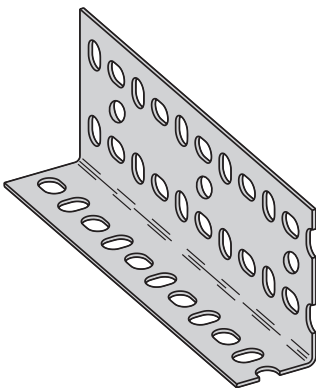
## SA276

- 14 Gauge (1.9)
- $1\frac{5}{8}" \times 2\frac{3}{8}"$
- Standard finishes: ZN, GRN
- Wt./Ft. .78 Lbs. (1.17 kg/m)



## SA318

- 12 Gauge (2.6)
- $1\frac{5}{8}" \times 3\frac{1}{8}"$
- Standard finishes: ZN, GRN
- Wt./Ft. 1.32 Lbs. (1.96 kg/m)

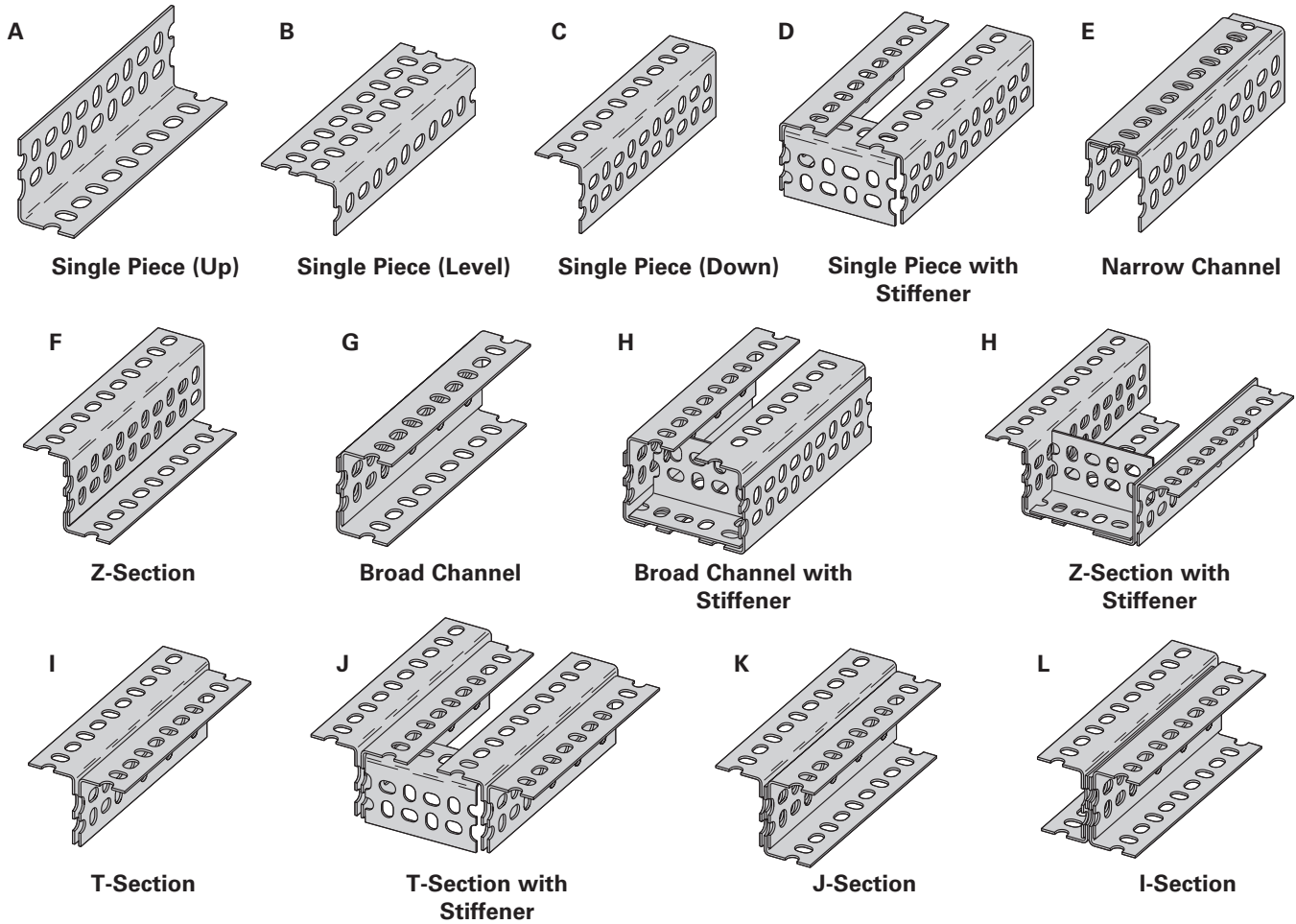


Reference page 264 for general fitting and standard finish specifications.



# Slotted angle beam loading and combinations

## Beam Sections



For greater strength required in some applications, Slotted angle may be fastened together to create combination shapes. A number of these combinations are illustrated above. Refer to the following table for load capacities of these combinations.

Beam Sections illustrated are single sections, except J, N, and P.

## Beam Loading

SA158-1<sup>5</sup>/<sub>8</sub>" (41.3) x 1<sup>5</sup>/<sub>8</sub>" (41.3) x 14 Gauge (1.9)

	Beam Span													
	24" (609 mm)		36" (914 mm)		48" (1219 mm)		60" (1524 mm)		72" (1829 mm)		84" (2133 mm)		96" (2438 mm)	
	Lbs.	kN	Lbs.	kN	Lbs.	kN	Lbs.	kN	Lbs.	kN	Lbs.	kN	Lbs.	kN
<b>A</b>	825	(3.67)	525	(2.33)	340	(1.51)	230	(1.02)	180	(0.80)	-	-	-	-
<b>B</b>	1100	(4.89)	800	(3.56)	540	(2.40)	370	(1.64)	250	(1.11)	-	-	-	-
<b>C</b>	1100	(4.89)	800	(3.56)	540	(2.40)	370	(1.64)	250	(1.11)	-	-	-	-
<b>D</b>	1300	(5.78)	900	(4.00)	625	(2.78)	450	(2.00)	330	(1.47)	275	(1.22)	200	(0.89)
<b>G</b>	1900	(8.45)	1360	(6.05)	1050	(4.67)	825	(3.67)	660	(2.93)	530	(2.36)	400	(1.78)
<b>H</b>	2300	(10.23)	1850	(8.23)	1450	(6.45)	1100	(4.89)	950	(4.22)	800	(3.56)	700	(3.11)
<b>I</b>	2200	(9.78)	1650	(7.34)	1225	(5.45)	930	(4.14)	700	(3.11)	550	(2.44)	450	(2.00)

Based on simple beam condition with uniform loads on parallel beams. To determine concentrated load capacity at mid-span, multiply uniform load by 0.5.

Reference page 264 for general fitting and standard finish specifications.



# Slotted angle beam loading

## Beam Loading

SA276-1<sup>5</sup>/<sub>8</sub>" (41.3) x 2<sup>3</sup>/<sub>8</sub>" (60.3) x 14 Gauge (1.9)

	Beam Span																	
	24" (609 mm)		36" (914 mm)		48" (1219 mm)		60" (1524 mm)		72" (1829 mm)		84" (2133 mm)		96" (2438 mm)		108" (2743 mm)		120" (3048 mm)	
	Lbs.	kN	Lbs.	kN	Lbs.	kN	Lbs.	kN	Lbs.	kN	Lbs.	kN	Lbs.	kN	Lbs.	kN	Lbs.	kN
<b>A</b>	-	-	680	(3.02)	450	(2.00)	340	(1.51)	-	-	-	-	-	-	-	-	-	-
<b>B</b>	-	-	830	(3.69)	550	(2.44)	360	(1.60)	210	(0.93)	150	(0.67)	-	-	-	-	-	-
<b>C</b>	-	-	1540	(6.85)	1060	(4.71)	800	(3.56)	610	(2.71)	480	(2.13)	340	(1.51)	250	(1.11)	-	-
<b>D</b>	-	-	1880	(8.36)	1280	(5.69)	970	(4.31)	820	(3.65)	650	(2.89)	550	(2.44)	420	(1.87)	340	(1.51)
<b>E</b>	-	-	2110	(9.38)	1730	(7.69)	1460	(5.77)	1250	(5.56)	1090	(4.85)	920	(4.09)	820	(3.65)	680	(3.02)
<b>F</b>	4290	(19.08)	2510	(11.16)	1790	(7.96)	1330	(5.91)	980	(4.36)	710	(3.16)	550	(2.44)	420	(1.87)	320	(1.42)
<b>G</b>	4320	(19.21)	3000	(13.34)	2140	(9.52)	1600	(7.12)	1290	(5.74)	1040	(4.62)	820	(3.65)	640	(2.85)	490	(2.18)
<b>H</b>	-	-	3480	(15.48)	2430	(10.81)	1890	(8.41)	1620	(7.20)	1430	(6.36)	1270	(5.65)	1160	(5.16)	1030	(4.58)
<b>I</b>	5780	(25.71)	3640	(16.19)	2820	(12.54)	2200	(9.78)	1700	(7.56)	1350	(6.00)	1060	(4.71)	850	(3.78)	680	(3.02)
<b>J</b>	-	-	3660	(16.28)	2840	(12.63)	2230	(9.92)	1720	(7.65)	1360	(6.05)	1090	(4.85)	874	(3.89)	700	(3.11)
<b>K</b>	-	-	4910	(21.84)	3830	(17.03)	3000	(13.34)	2550	(11.34)	2190	(9.74)	1880	(8.36)	1640	(7.29)	1430	(6.36)
<b>L</b>	-	-	6360	(28.29)	4590	(20.42)	3470	(15.43)	2910	(12.94)	2550	(11.34)	2240	(9.96)	2010	(8.94)	1840	(8.18)

Based on simple beam condition with uniform loads on parallel beams. To determine concentrated load capacity at mid-span, multiply uniform load by 0.5.

## Beam Loading

SA318-1<sup>5</sup>/<sub>8</sub>" (41.3) x 3<sup>1</sup>/<sub>8</sub>" (79.4) x 12 Gauge (2.6)

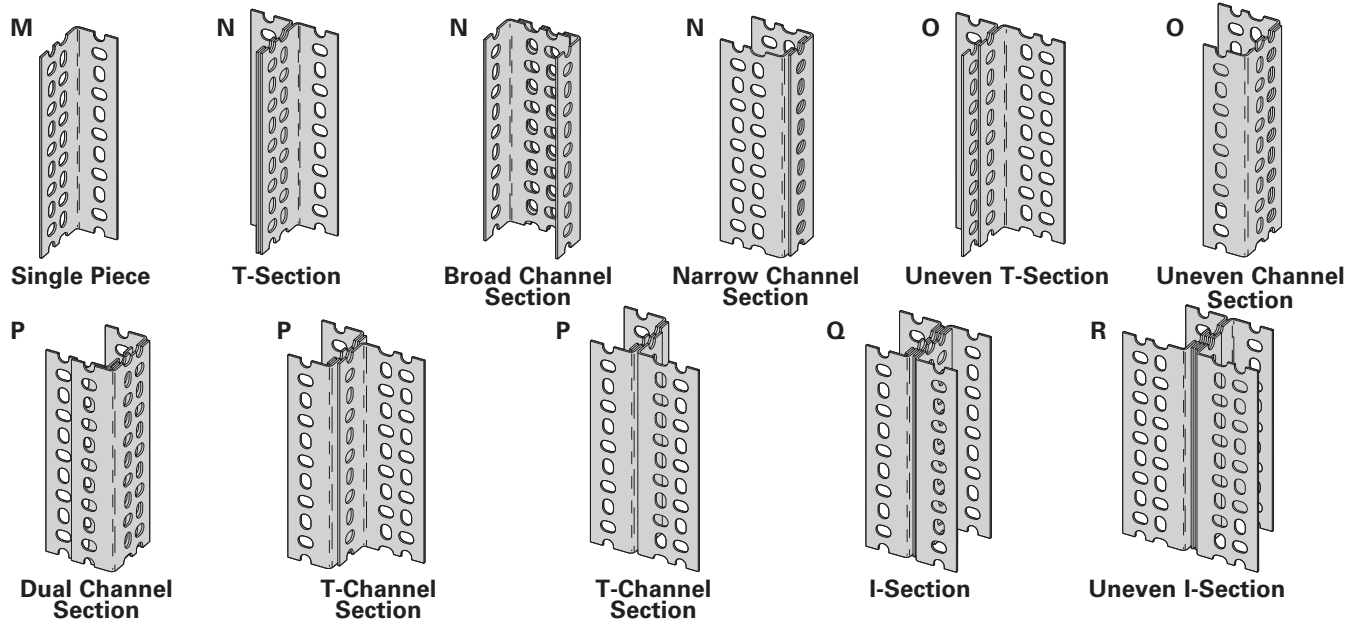
	Beam Span																	
	24" (609 mm)		36" (914 mm)		48" (1219 mm)		60" (1524 mm)		72" (1829 mm)		84" (2133 mm)		96" (2438 mm)		108" (2743 mm)		120" (3048 mm)	
	Lbs.	kN	Lbs.	kN	Lbs.	kN	Lbs.	kN	Lbs.	kN	Lbs.	kN	Lbs.	kN	Lbs.	kN	Lbs.	kN
<b>A</b>	-	-	1140	(5.07)	850	(3.78)	690	(3.07)	-	-	-	-	-	-	-	-	-	-
<b>B</b>	-	-	1250	(5.56)	850	(3.78)	600	(2.67)	400	(1.78)	-	-	-	-	-	-	-	-
<b>C</b>	4800	(21.35)	2750	(12.23)	1800	(8.01)	1280	(5.69)	1000	(4.45)	790	(3.51)	610	(2.71)	-	-	-	-
<b>D</b>	-	-	3900	(17.35)	2690	(11.96)	2050	(9.12)	1700	(7.56)	1480	(6.58)	1280	(5.69)	1100	(4.89)	960	(4.27)
<b>E</b>	-	-	4160	(18.50)	3560	(15.83)	3130	(13.92)	2750	(12.23)	2400	(10.67)	2170	(9.65)	1950	(8.67)	1780	(7.92)
<b>F</b>	8180	(36.38)	5000	(22.24)	3650	(16.23)	2750	(12.23)	2200	(9.78)	1750	(7.78)	1350	(6.00)	1020	(4.54)	700	(3.11)
<b>G</b>	10600	(47.15)	6050	(26.91)	4440	(19.75)	3330	(14.81)	2670	(11.88)	2120	(9.43)	1660	(7.38)	1210	(5.38)	1000	(4.45)
<b>H</b>	-	-	6100	(27.13)	4620	(20.55)	3670	(16.32)	3110	(13.83)	2680	(11.92)	2380	(10.59)	2100	(9.34)	1950	(8.67)
<b>I</b>	13700	(60.94)	7800	(34.69)	5900	(26.24)	4600	(20.46)	3800	(16.90)	3190	(14.19)	2630	(11.70)	2170	(9.65)	1810	(8.05)
<b>J</b>	-	-	7900	(35.14)	6300	(28.02)	5050	(22.46)	4070	(18.10)	3240	(14.41)	2630	(11.70)	2170	(9.65)	1810	(8.05)
<b>K</b>	-	-	10050	(44.70)	8000	(35.58)	6320	(28.11)	5350	(23.80)	4650	(20.68)	4040	(17.97)	3520	(15.66)	3120	(13.88)
<b>L</b>	-	-	12700	(56.49)	9550	(42.48)	7540	(33.54)	6540	(29.09)	5730	(25.49)	5030	(22.37)	4520	(20.10)	4000	(17.79)

Based on simple beam condition with uniform loads on parallel beams. To determine concentrated load capacity at mid-span, multiply uniform load by 0.5.

Reference page 264 for general fitting and standard finish specifications.

# Slotted angle beam loading and combinations

## Column Sections



For greater strength required in some applications, Slotted Angle may be fastened together to create combination shapes. A number of these combinations are illustrated above. Refer to the following table for load capacities of these combinations.

### Column Loading - SA158-1<sup>5</sup>/<sub>8</sub>" (41.3) x 1<sup>5</sup>/<sub>8</sub>" (41.3) x 14 Gauge (1.9)

#### Column Height

	36" (914 mm) Lbs. kN	48" (1219 mm) Lbs. kN	60" (1524 mm) Lbs. kN	72" (1829 mm) Lbs. kN
<b>M</b>	1450 (6.45)	1150 (5.11)	950 (4.22)	750 (3.33)
<b>N</b>	3850 (17.12)	3500 (15.57)	3000 (13.34)	2500 (11.12)

### Column Loading - SA276-1<sup>5</sup>/<sub>8</sub>" (41.3) x 2<sup>3</sup>/<sub>8</sub>" (60.3) x 14 Gauge (1.9)

#### Column Height

	36" (914 mm) Lbs. kN	48" (1219 mm) Lbs. kN	60" (1524 mm) Lbs. kN	72" (1829 mm) Lbs. kN	84" (2133 mm) Lbs. kN	96" (2438 mm) Lbs. kN	108" (2743 mm) Lbs. kN	120" (3048 mm) Lbs. kN
<b>M</b>	2280 (10.14)	1970 (8.76)	1520 (6.76)	1070 (4.760)	660 (2.93)	- -	- -	- -
<b>N</b>	4760 (21.17)	4490 (19.97)	3995 (17.77)	3140 (13.97)	2340 (10.41)	1750 (7.78)	- -	- -
<b>O</b>	4940 (21.97)	4680 (20.82)	4310 (19.17)	3870 (17.21)	3665 (16.30)	2700 (12.01)	2060 (9.16)	1610 (7.16)
<b>P</b>	7270 (32.34)	6920 (30.78)	6370 (28.33)	5840 (25.98)	4930 (21.93)	3850 (17.12)	2870 (12.76)	2060 (9.16)
<b>Q</b>	9520 (42.35)	8970 (39.90)	7990 (35.54)	6280 (27.93)	4660 (20.73)	3500 (15.57)	- -	- -
<b>R</b>	9865 (43.88)	9330 (41.50)	8620 (38.34)	7715 (34.32)	6740 (29.98)	5365 (23.86)	4115 (18.30)	3210 (14.28)

Column Loads assume no lateral support.

### Column Loading - SA318-1<sup>5</sup>/<sub>8</sub>" (41.3) x 3<sup>1</sup>/<sub>8</sub>" (79.4) x 12 Gauge (2.6)

#### Column Height

	36" (914 mm) Lbs. kN	48" (1219 mm) Lbs. kN	60" (1524 mm) Lbs. kN	72" (1829 mm) Lbs. kN	84" (2133 mm) Lbs. kN	96" (2438 mm) Lbs. kN	108" (2743 mm) Lbs. kN	120" (3048 mm) Lbs. kN
<b>M</b>	3470 (15.43)	2870 (12.76)	1970 (8.76)	1280 (5.69)	- -	- -	- -	- -
<b>N</b>	7970 (35.45)	7360 (32.74)	6570 (29.22)	5270 (23.44)	3670 (16.32)	2580 (11.47)	- -	- -
<b>O</b>	8770 (39.01)	8580 (38.16)	8180 (36.38)	7690 (34.21)	6970 (31.00)	6260 (27.84)	5460 (24.29)	4460 (19.84)
<b>P</b>	12560 (55.87)	11970 (53.24)	11360 (50.53)	10480 (46.62)	9470 (42.12)	8370 (37.23)	6880 (30.60)	5370 (23.89)
<b>Q</b>	15940 (70.90)	14750 (65.61)	13160 (58.54)	10560 (46.97)	7370 (32.78)	5170 (23.00)	- -	- -
<b>R</b>	17550 (78.06)	17150 (76.29)	16360 (72.77)	15360 (68.32)	13970 (62.14)	12570 (55.91)	10970 (48.80)	8960 (39.85)

Column Loads assume no lateral support.

Reference page 264 for general fitting and standard finish specifications.

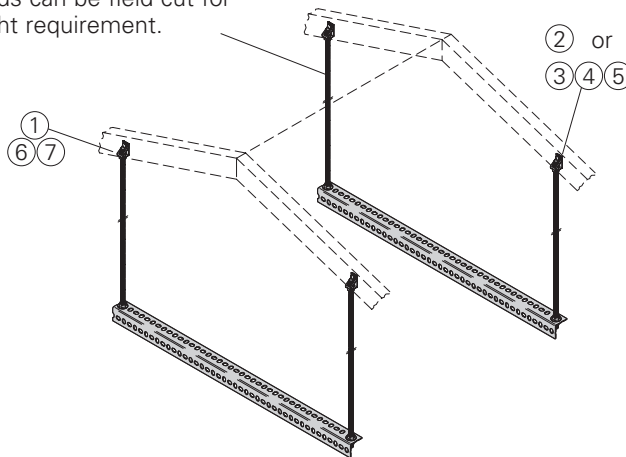
# Slotted angle kits and fittings

## AHHK-1/4 & AHHK-3/8 Air Handler Hanging Kit

- Standard finishes: ZN
- Load Capacity Per Kit: 400 Lbs. (181.4 kg)

- ⑧ Hanging rods come in 72" lengths. Rods can be field cut for proper height requirement.

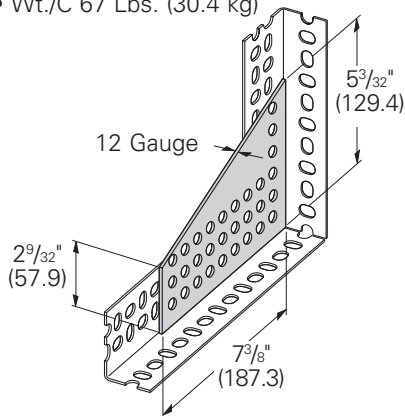
Item #	Description	Quantity	
		AHHK 1/4	AHHK 3/8
①	Rod Hanger Fitting	4	4
②	Lag Screw	4	4
③	Hex Head Cap Screw	4	4
④	Flat Washer (For HHCS)	4	4
⑤	Hex Nuts (For HHCS)	4	4
⑥	Hex Nuts (For Hanging Rods)	16	16
⑦	Flat Washer (See Note 1)	16	-
⑧	Hanging Rods (72" Long)	4	4
⑨	SA158 (36" Long)	2	2



Note 1: Flat washers are required for 1/4"-20 hanging rods only.

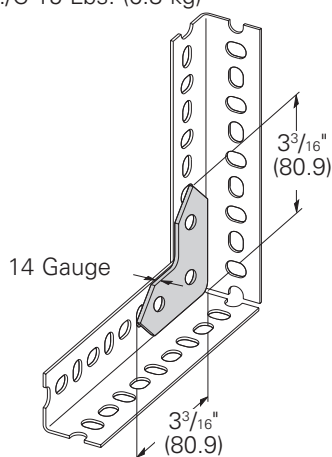
### SA101 Connection Plate

- Standard finishes: ZN, GRN
- Wt./C 67 Lbs. (30.4 kg)



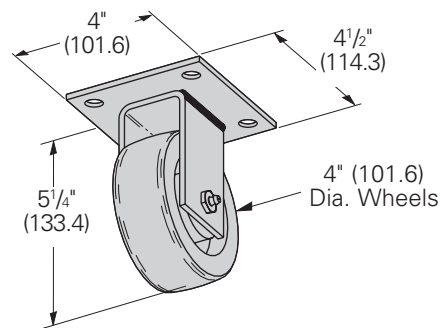
### SA102 Angle Brace

- Standard finishes: ZN, GRN
- Wt./C 15 Lbs. (6.8 kg)



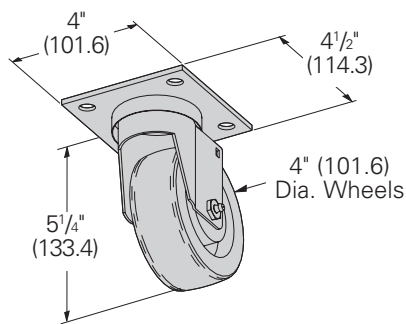
### SA154 Rigid Caster

- Safety Factor of 1.5
- 300 Lbs. (136.1 kg) maximum load capacity
- Caster material: Phenolic
- Standard finishes: ZN, GRN
- Wt./Ea. 2.0 Lbs. (.91 kg)



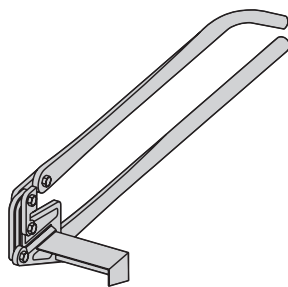
### SA155 Swivel Caster

- Safety Factor of 1.5
- 300 Lbs. (136.1 kg) maximum load capacity
- Caster material: Phenolic
- Standard finishes: ZN, GRN
- Wt./Ea. 2.2 Lbs. (1.0 kg)



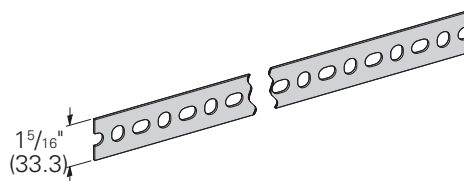
### SA110 Slotted Angle Cutter

- Standard finishes:
- Wt./Ea. 16 Lbs. (7.26 kg)



### SA131 Slotted Strap

- Hole pattern is identical to the hole pattern in slotted angles
- Standard length: 10' (3.05 m)
- Standard finishes: Pre-Galv. (GALV)
- Material thickness: 14 gauge (1.9)



CLEATS: To reinforce load-bearing joints, cleats can be field made by cutting 2 1/4" (57.1) long segments from the widest slotted angle available.

Use SA276 for light duty cleats and SA318 for heavy duty cleats.

SPLICE PLATES: To assemble two pieces of slotted angle using a butt joint requires a 6" (152.4) splice plate for reinforcement.

Reference page 264 for general fitting and standard finish specifications.